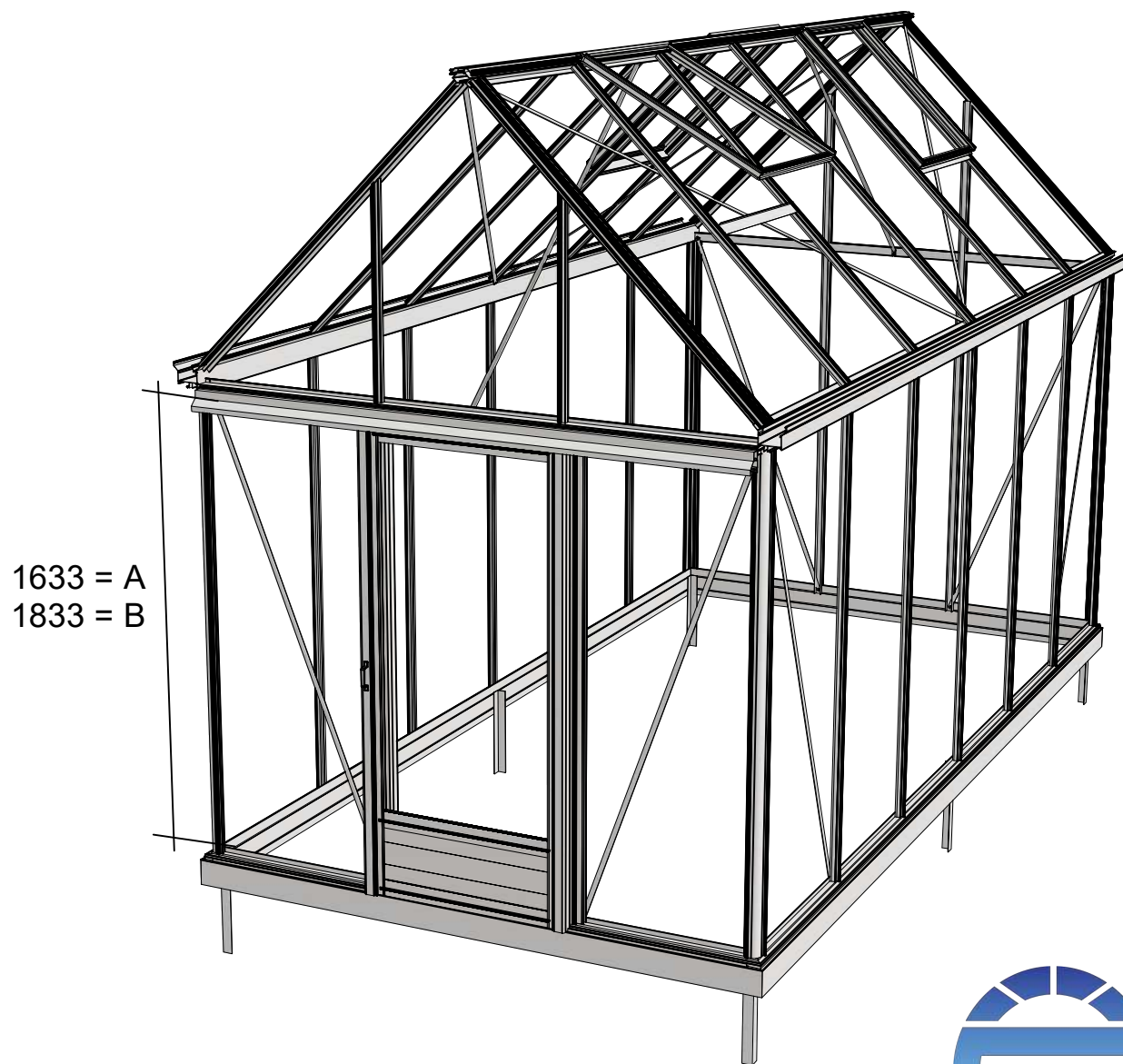
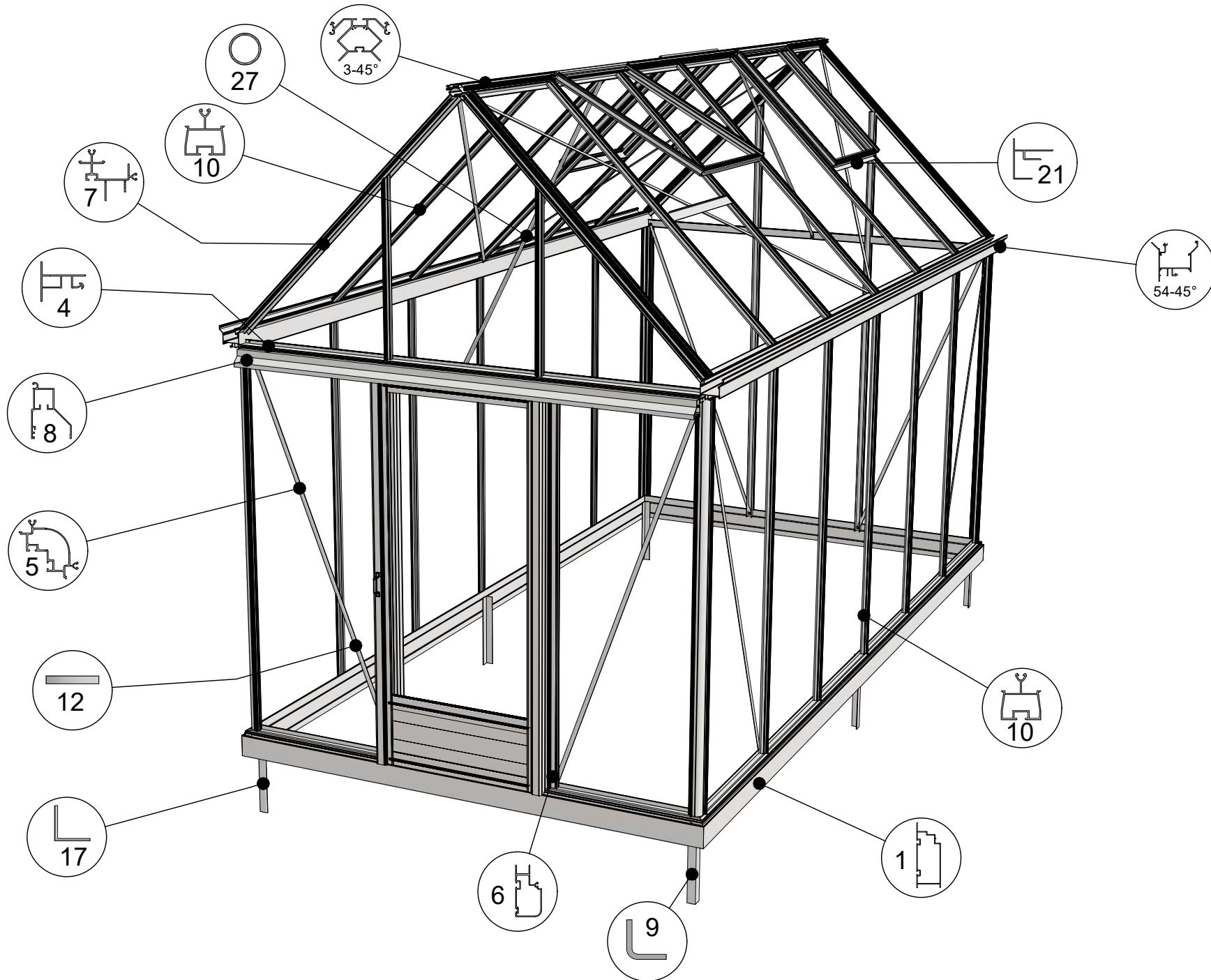


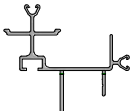
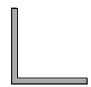
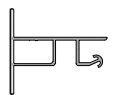

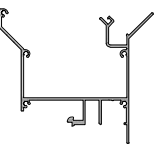
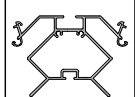
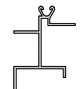

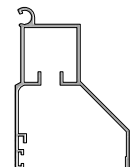
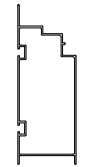
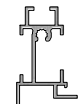
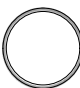
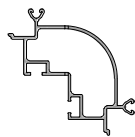



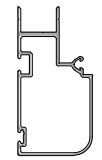
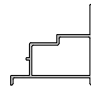
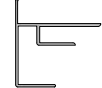
Euro-Cottage 2,36



13-12-2023

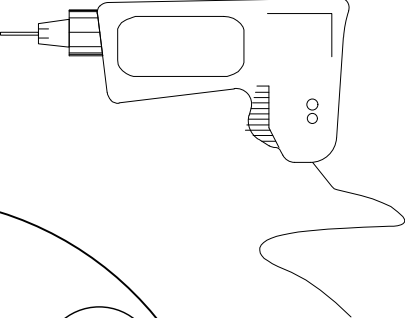


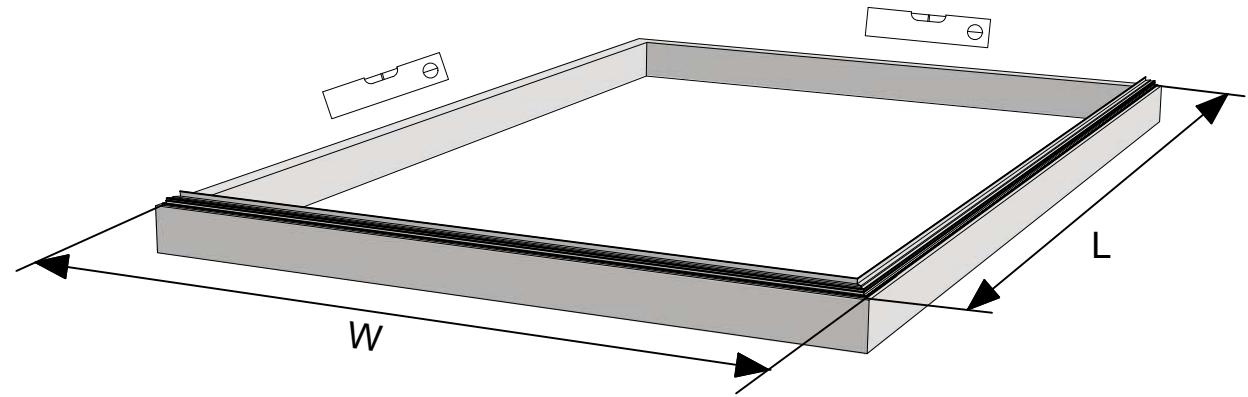
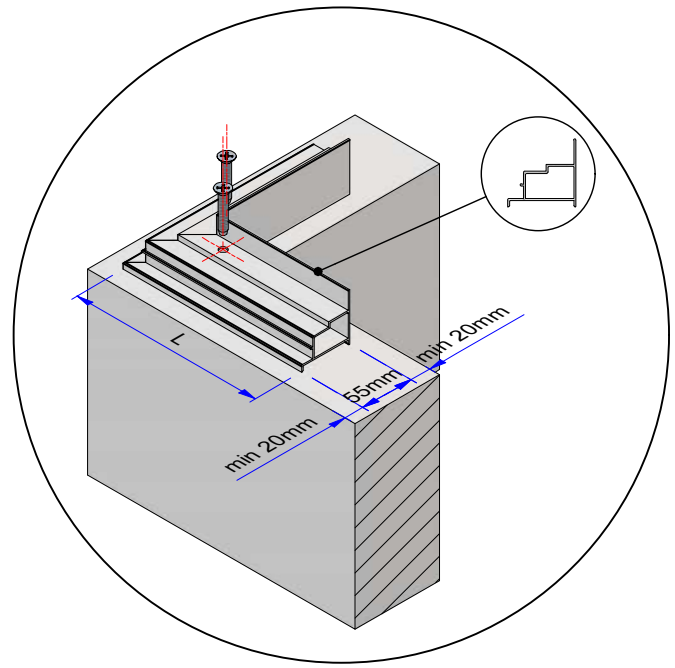
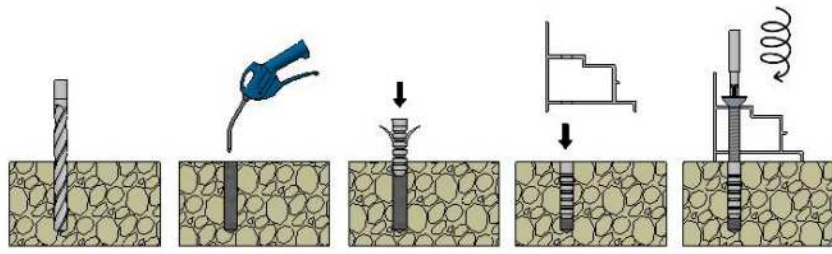
Profile list


-	NR	Profile NR	-	NR	Profile NR	-	NR	Profile NR	-	NR	Profile NR
	7	7151		17	L40/40/2		4	17549		18	17542
	54-45°	17540		3-45°	15732		19	17543		27	B18
	8	7633		1	17538		20	28513		40	B32
	5	17548		10	17541		9	L15/15/2		12	7070
	6	9915		1A	17552		21	29577			

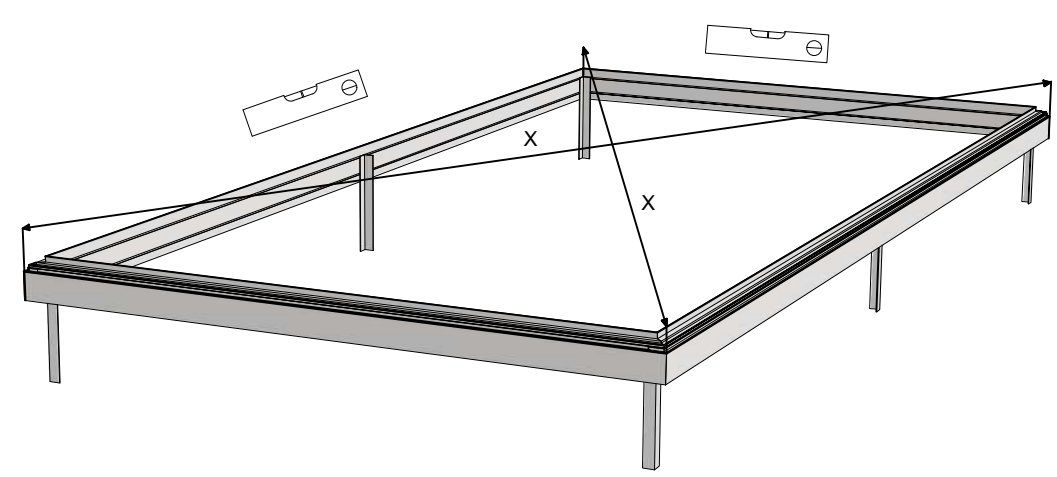
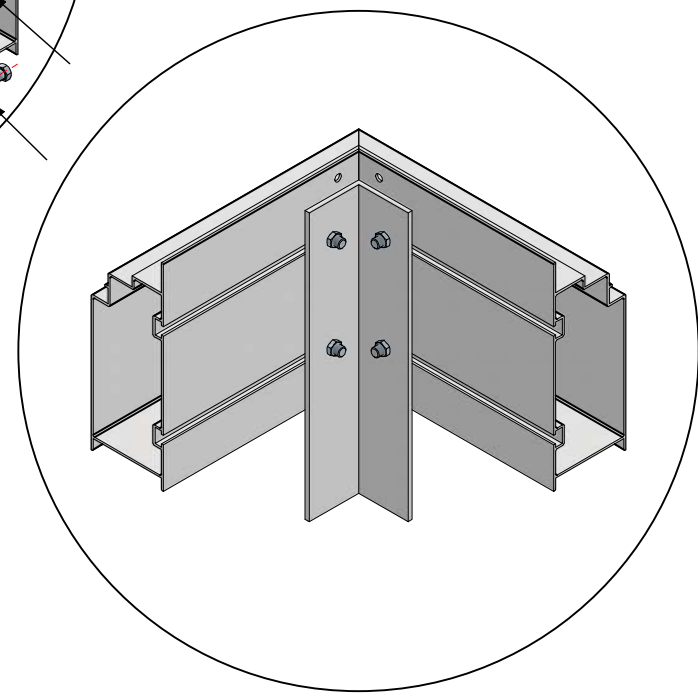
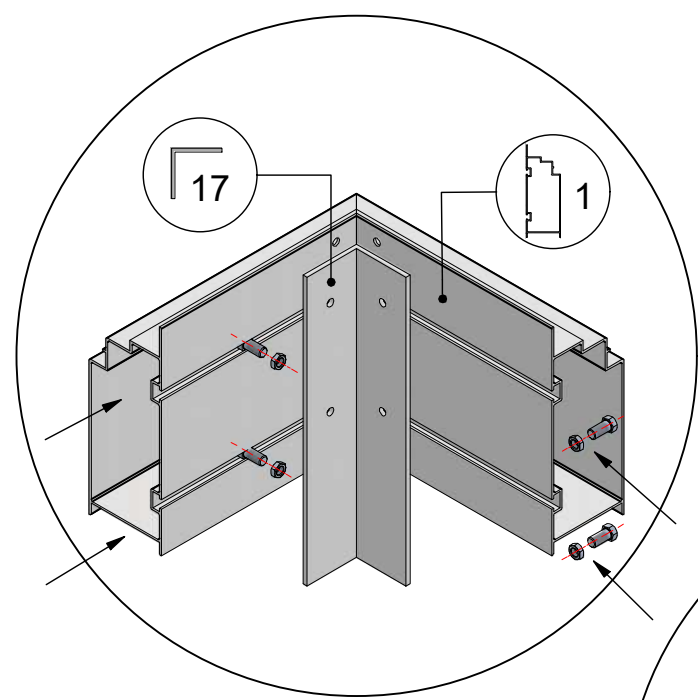
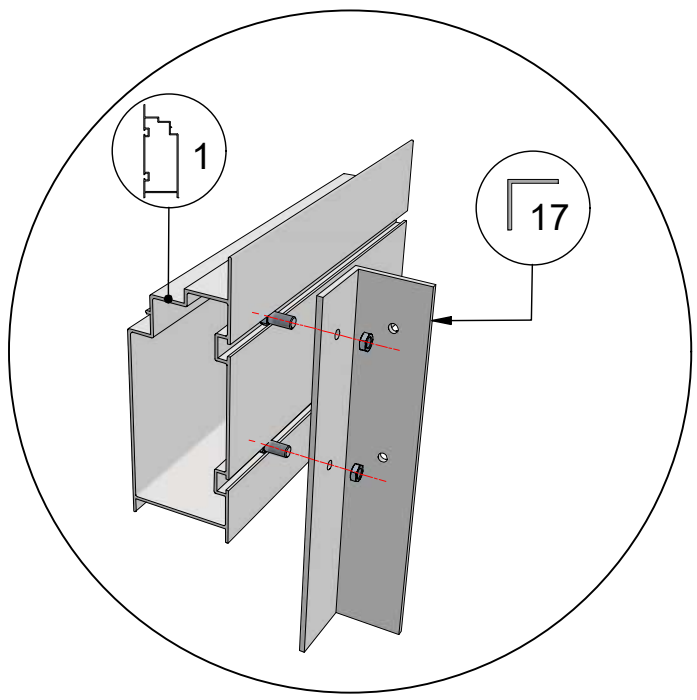
- Attention! Check inside the foundation for more profiles.
- Please fasten screws and nuts hand-tight.
- Achtung! Prüfen sie das fundament für weitere profile.
- Schraube und Mutter bitte handfest festziehen.
- Opgelet! kijk in de fundering voor andere profielen.
- Bout en moer a.u.b. handvast aandraaien.
- Attention! Regarde à l'intérieur du fondation pour plussier profils.
- Serrez les écrous et vis à la main s.v.p.
- Observera at en del profiler ligger i sockelprofilen!!
- Dra åt skruven och muttern handfast.

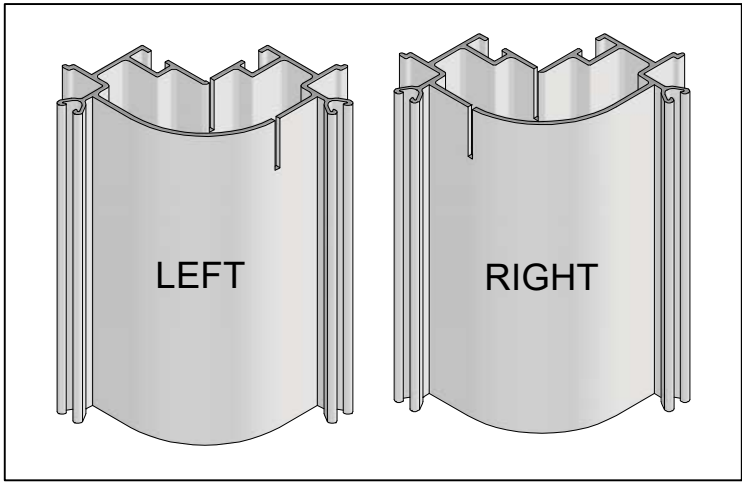
 = 8x40   = 6x120

$\varnothing = 8\text{mm}$ 

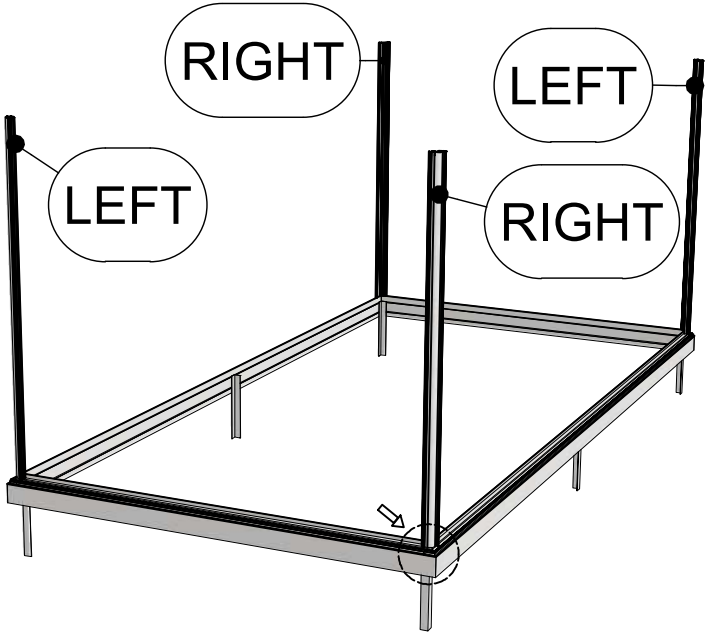
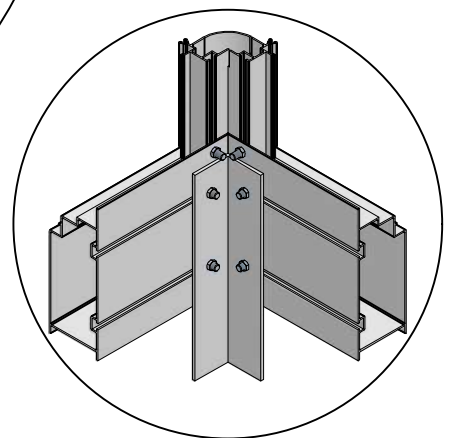
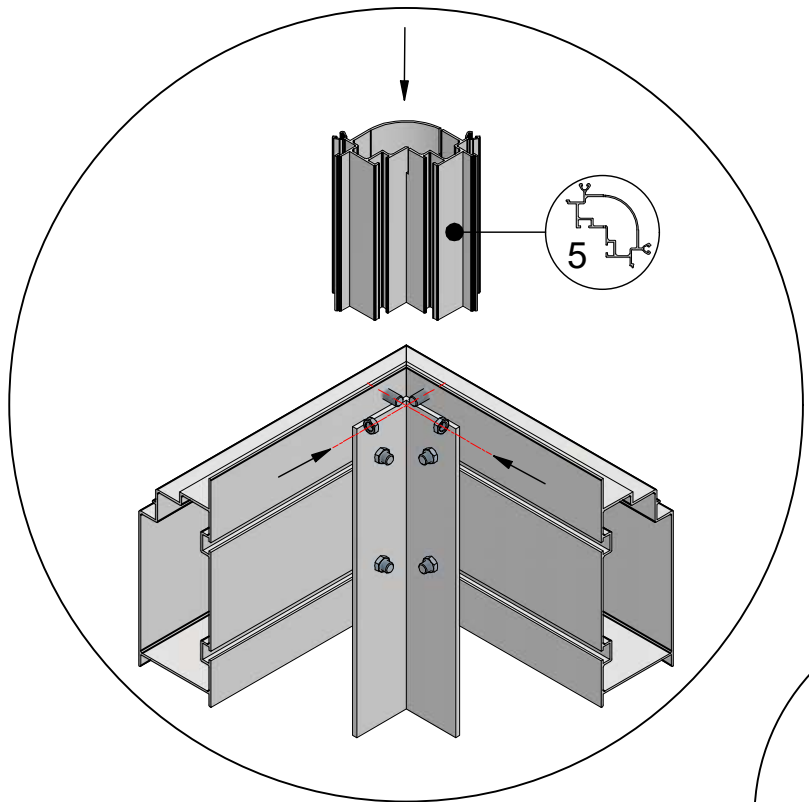



 = M6x12

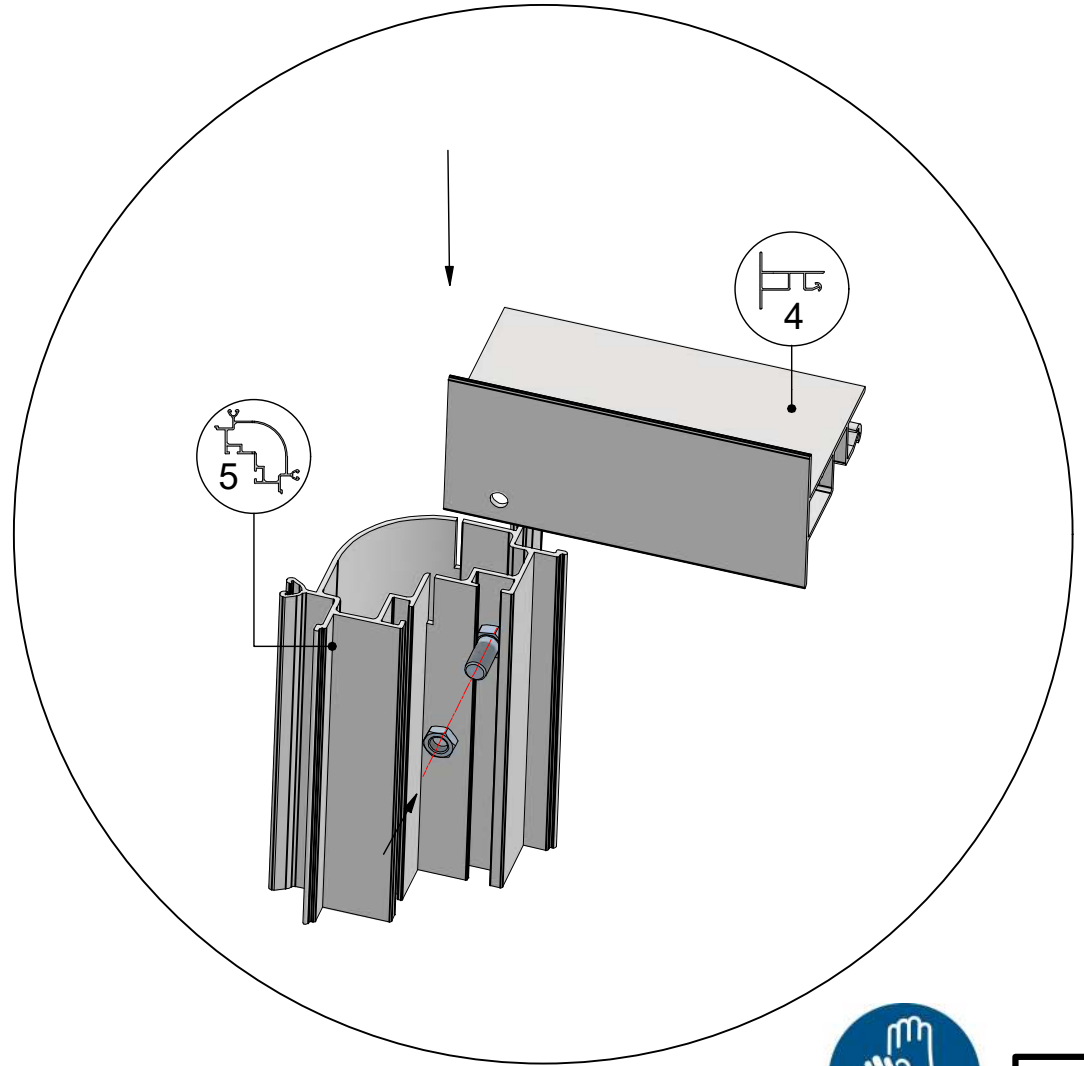
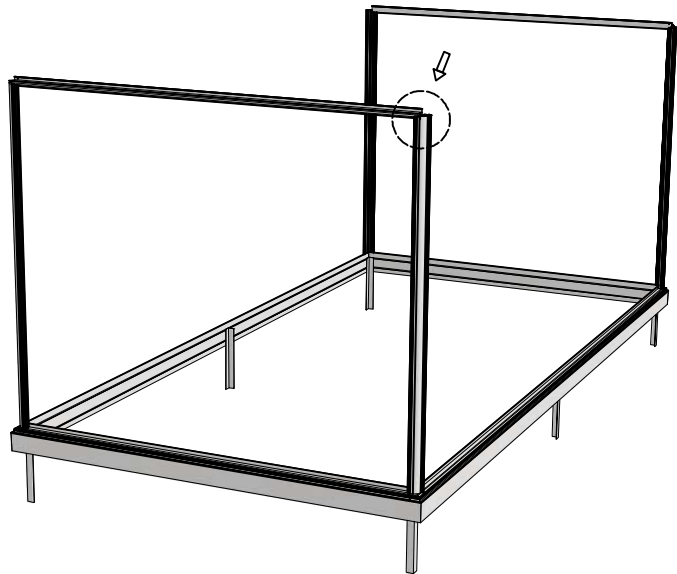
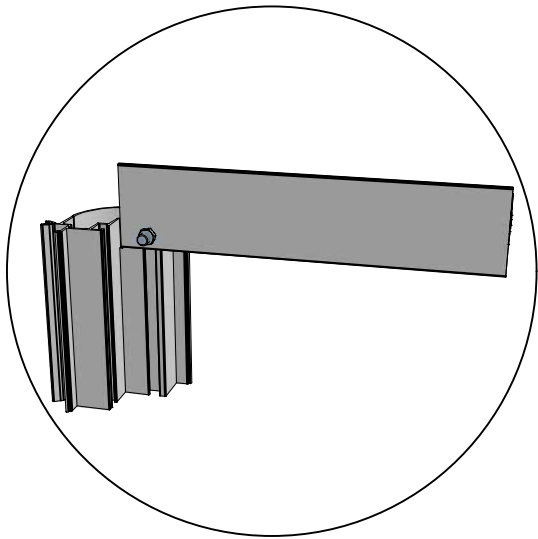




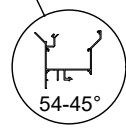
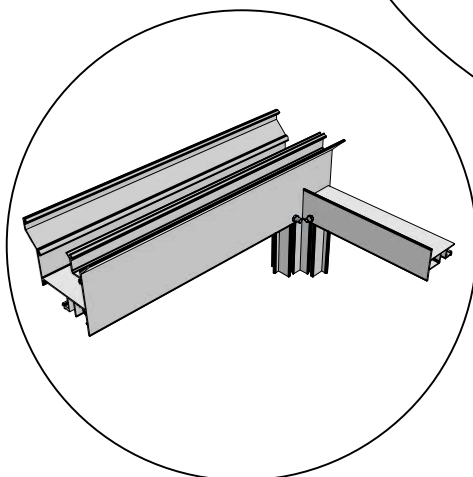
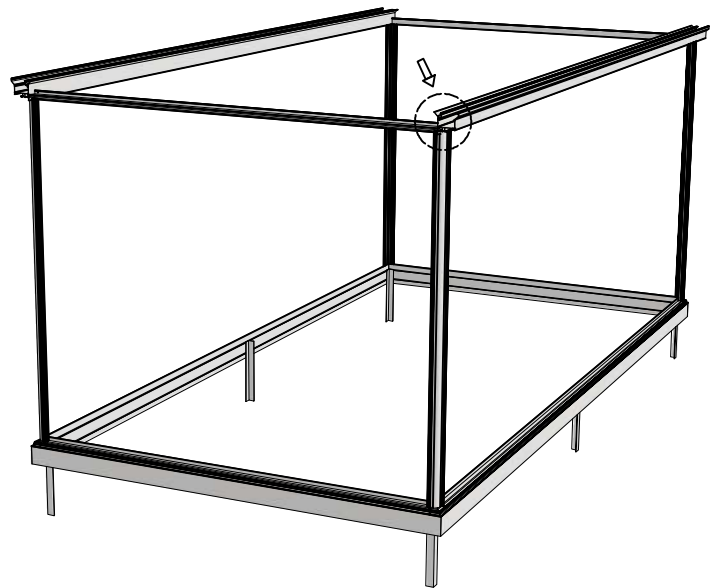
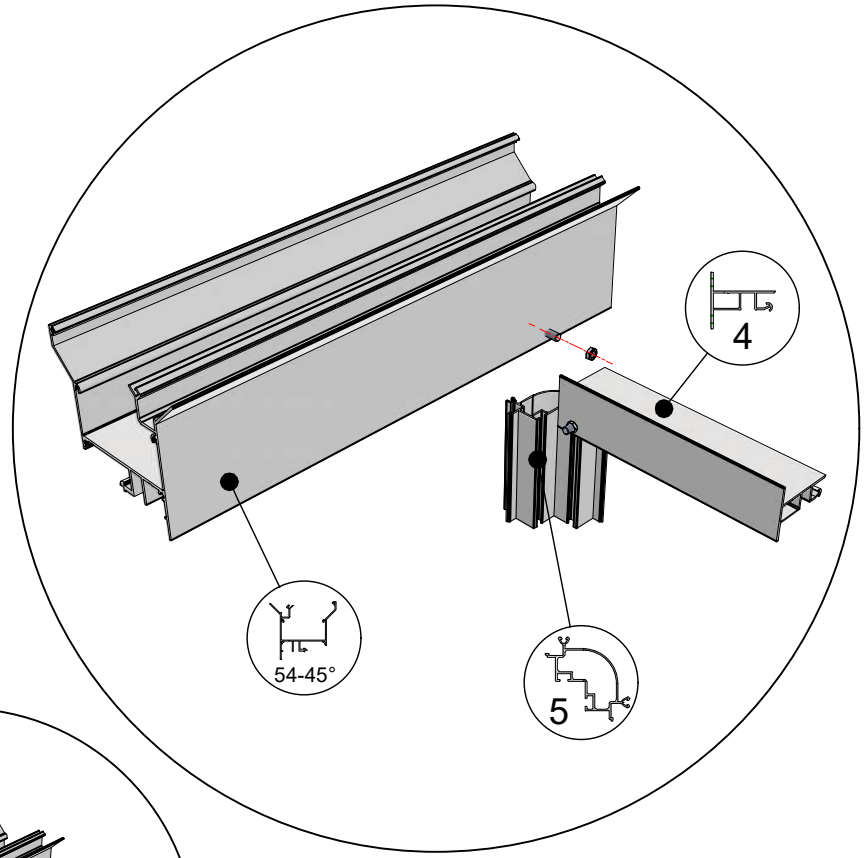
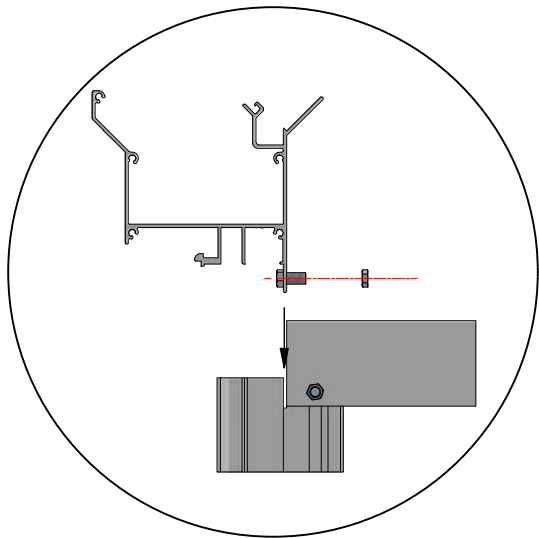
 = M6x12 (8x)



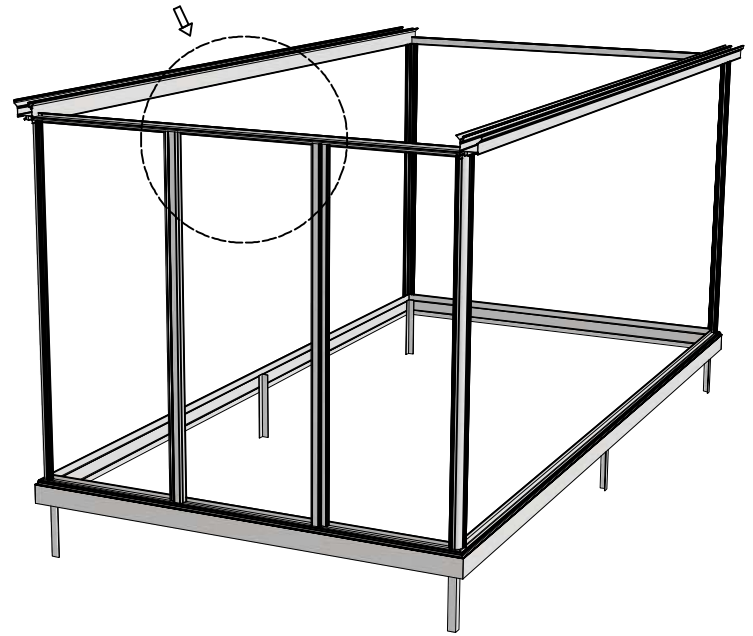
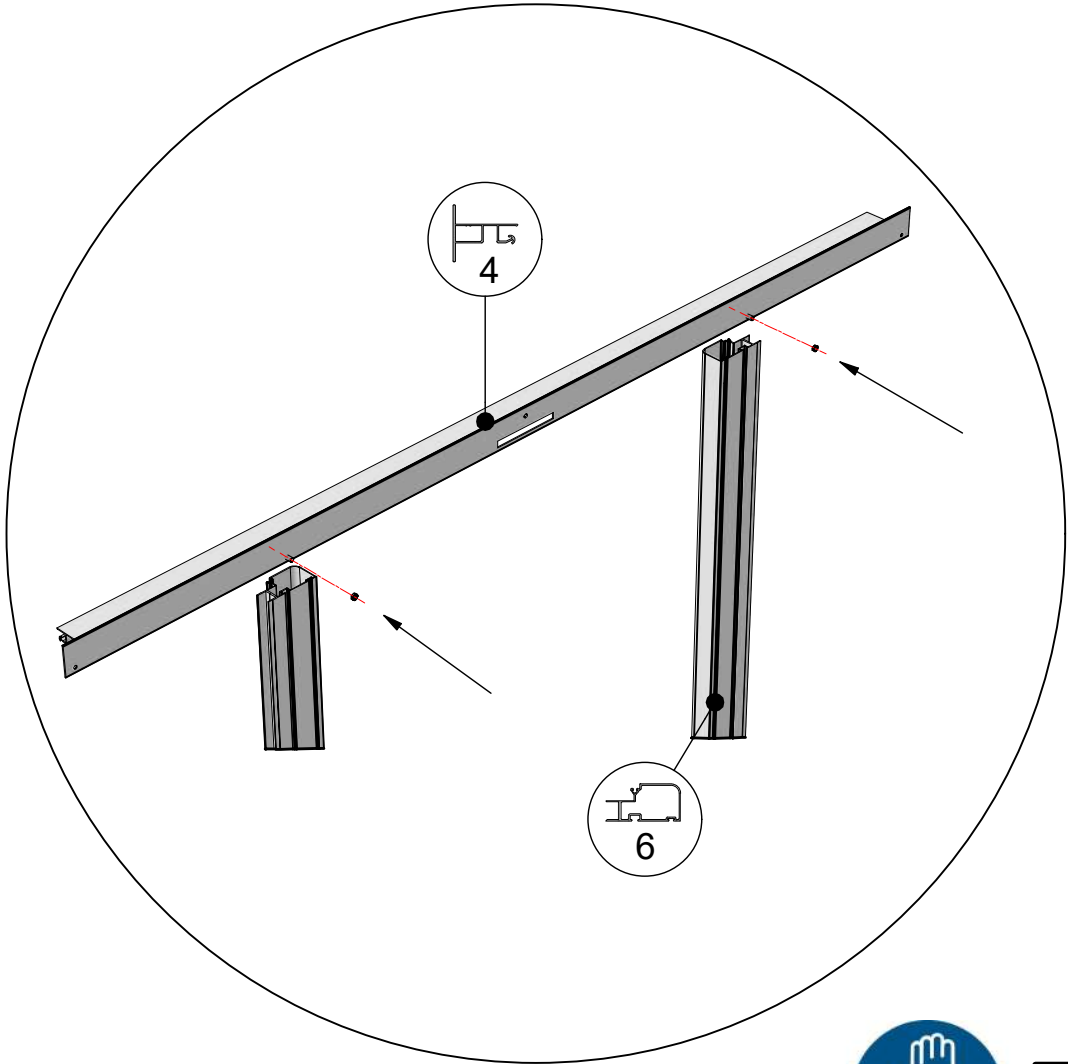
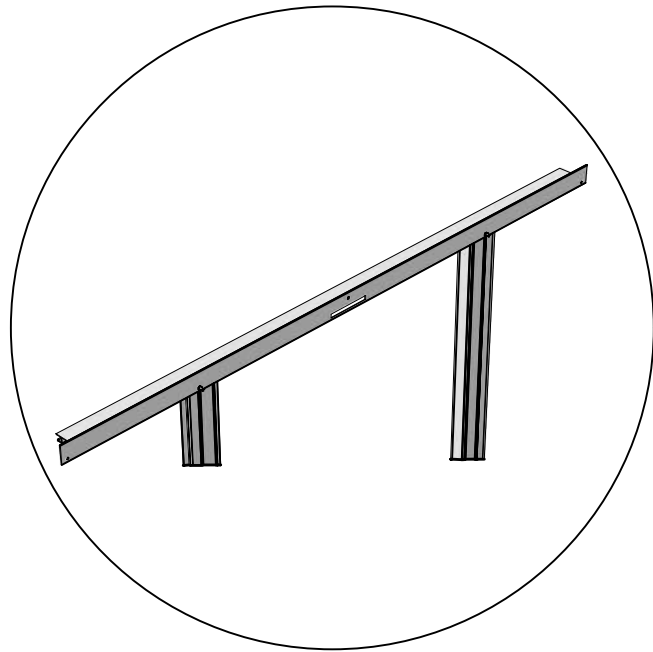
 = M6x12 (4x)



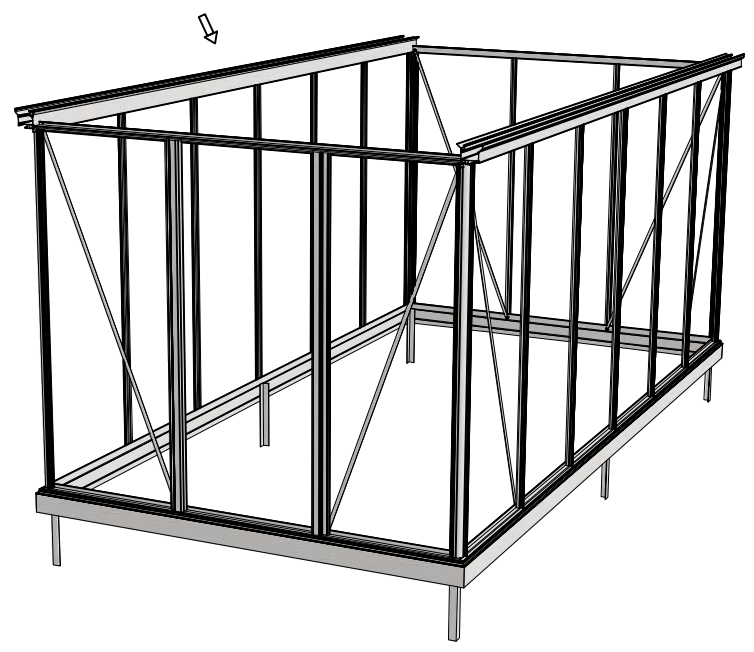
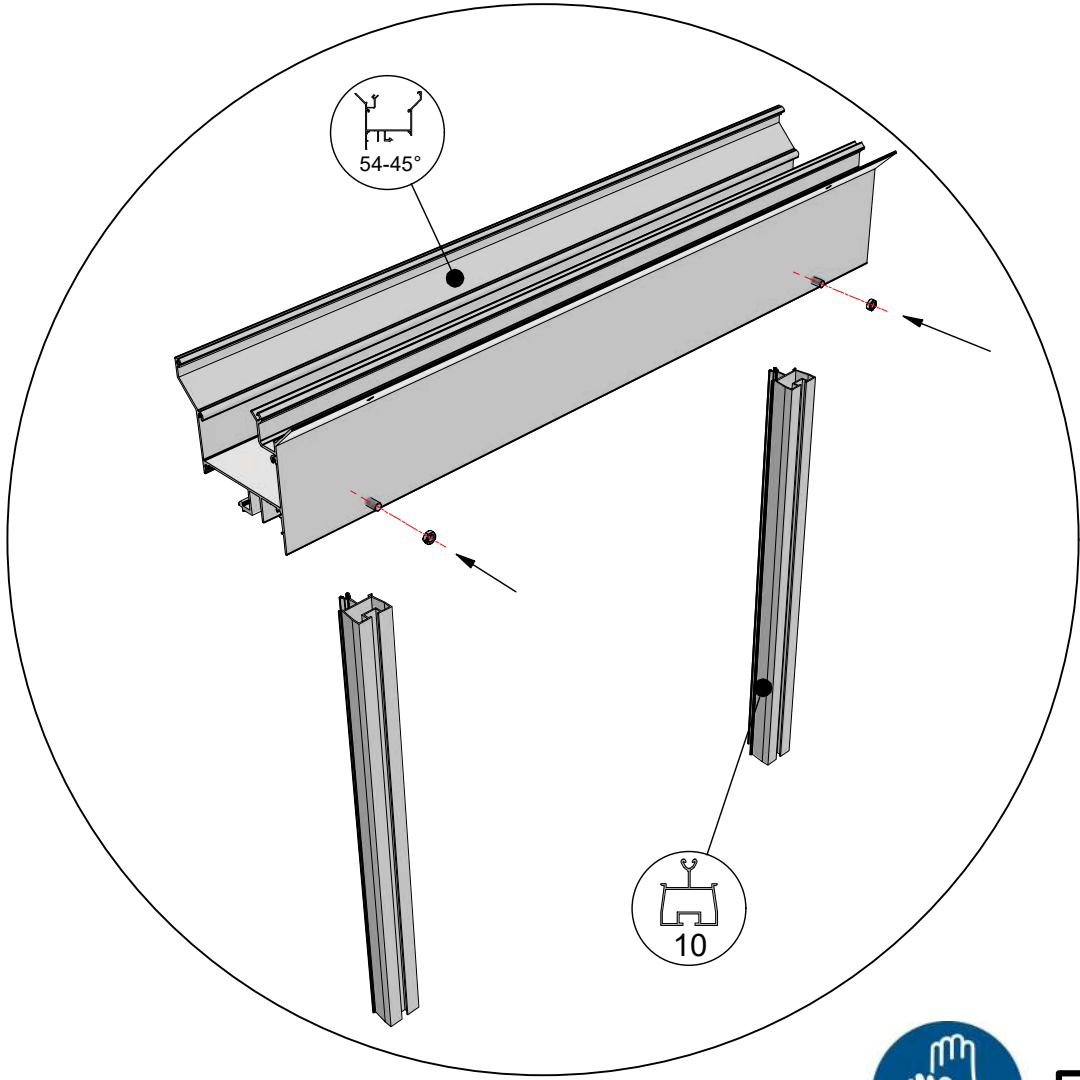
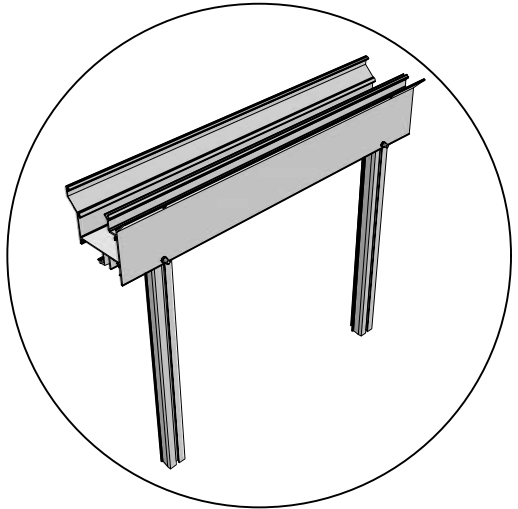
 = M6x12 (4x)



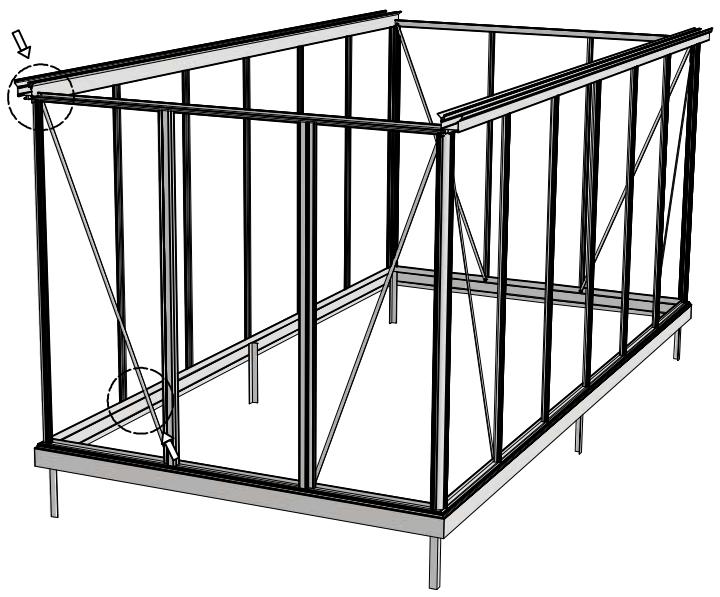
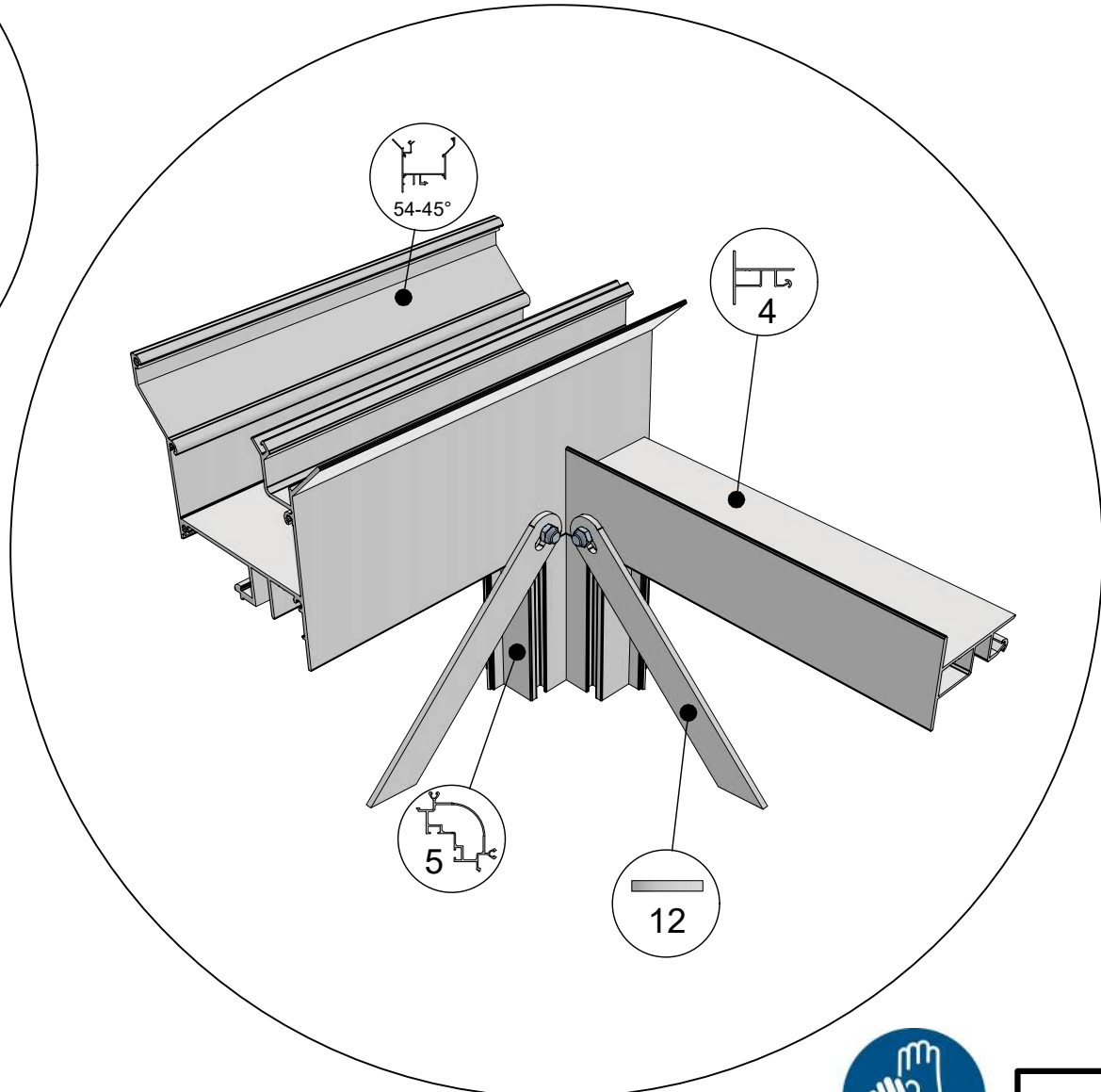
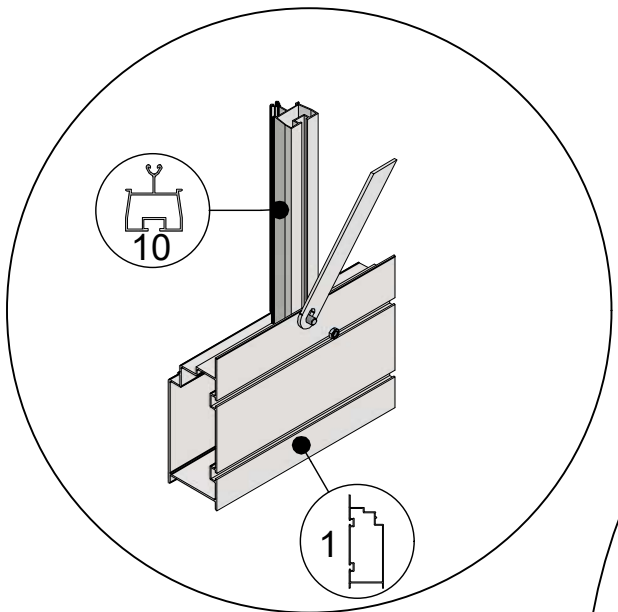
 = M6x12 (2x)



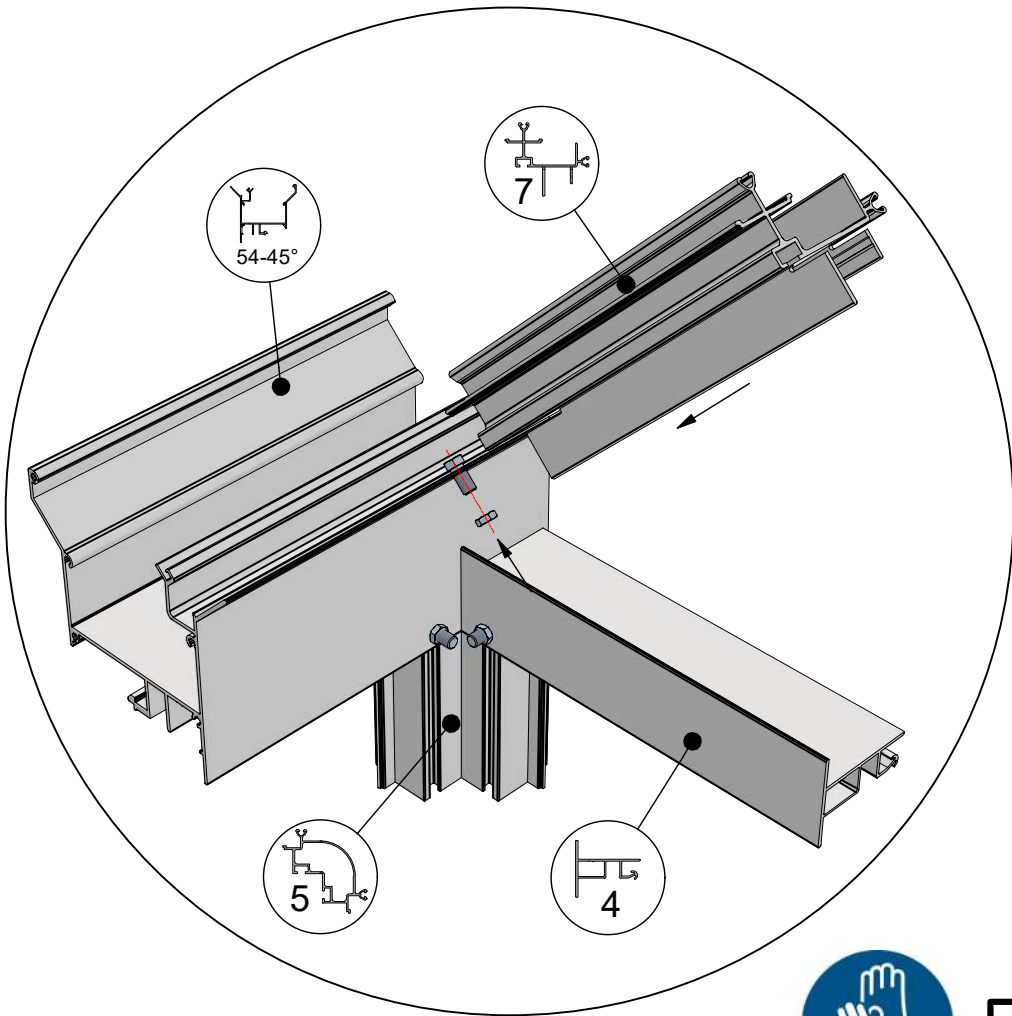
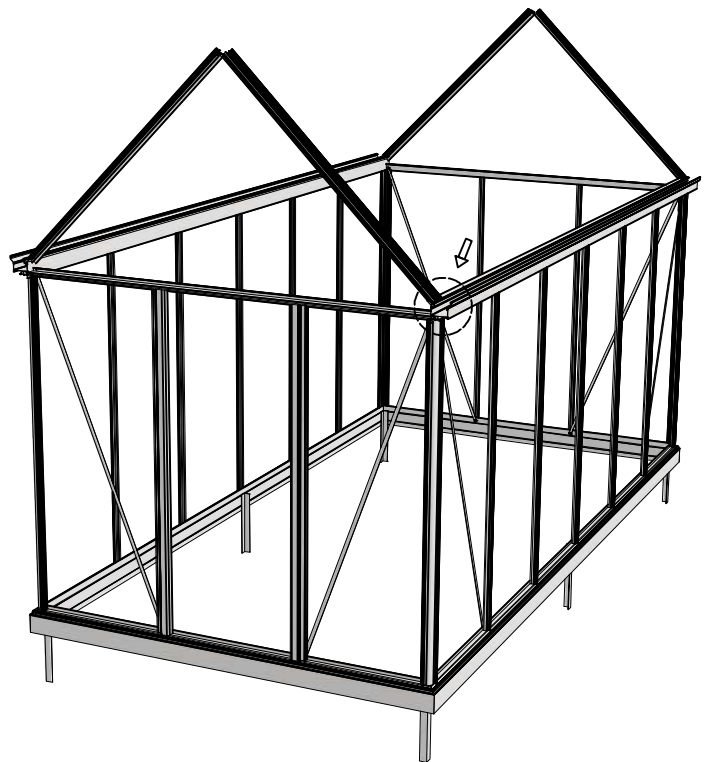
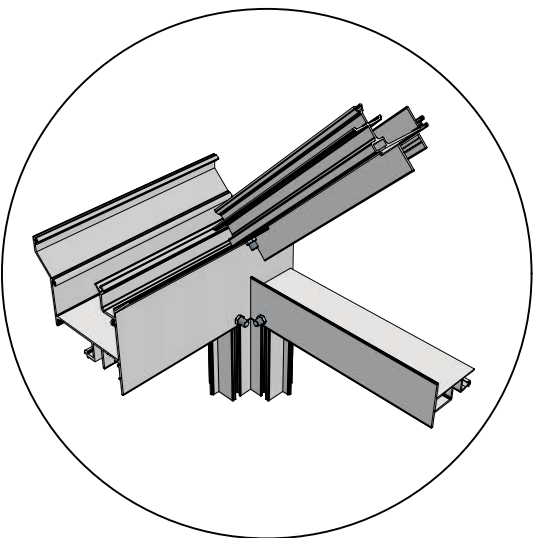
 = M6x12

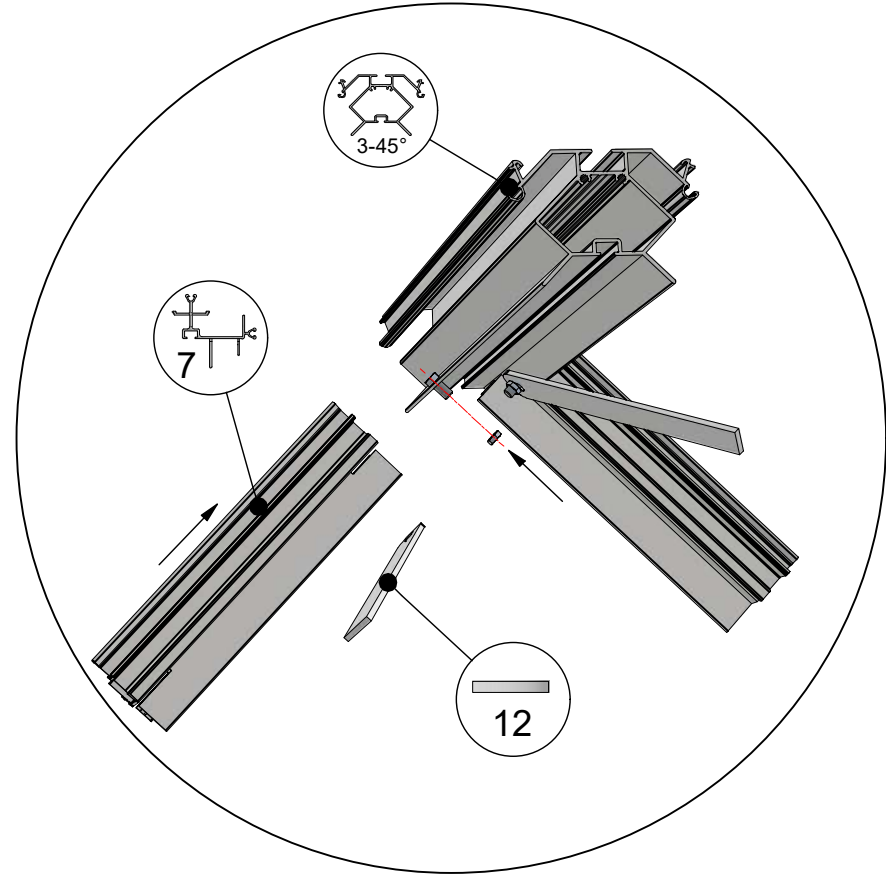
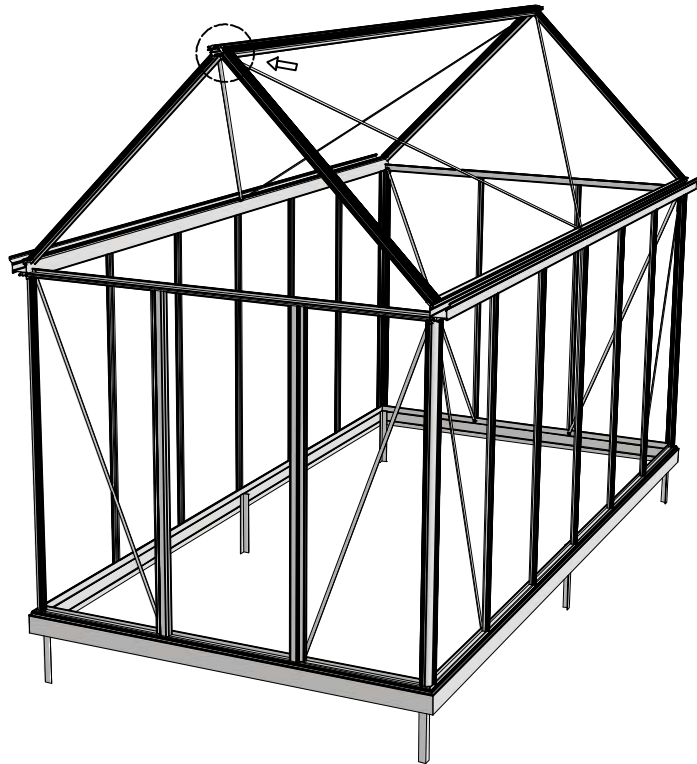
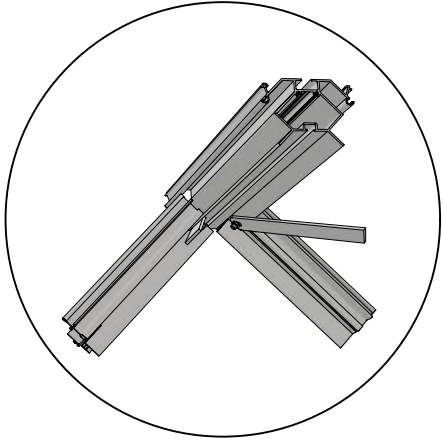
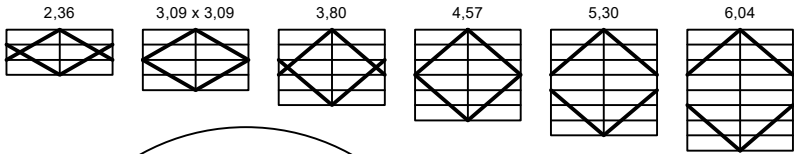


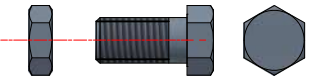
 = M6x12

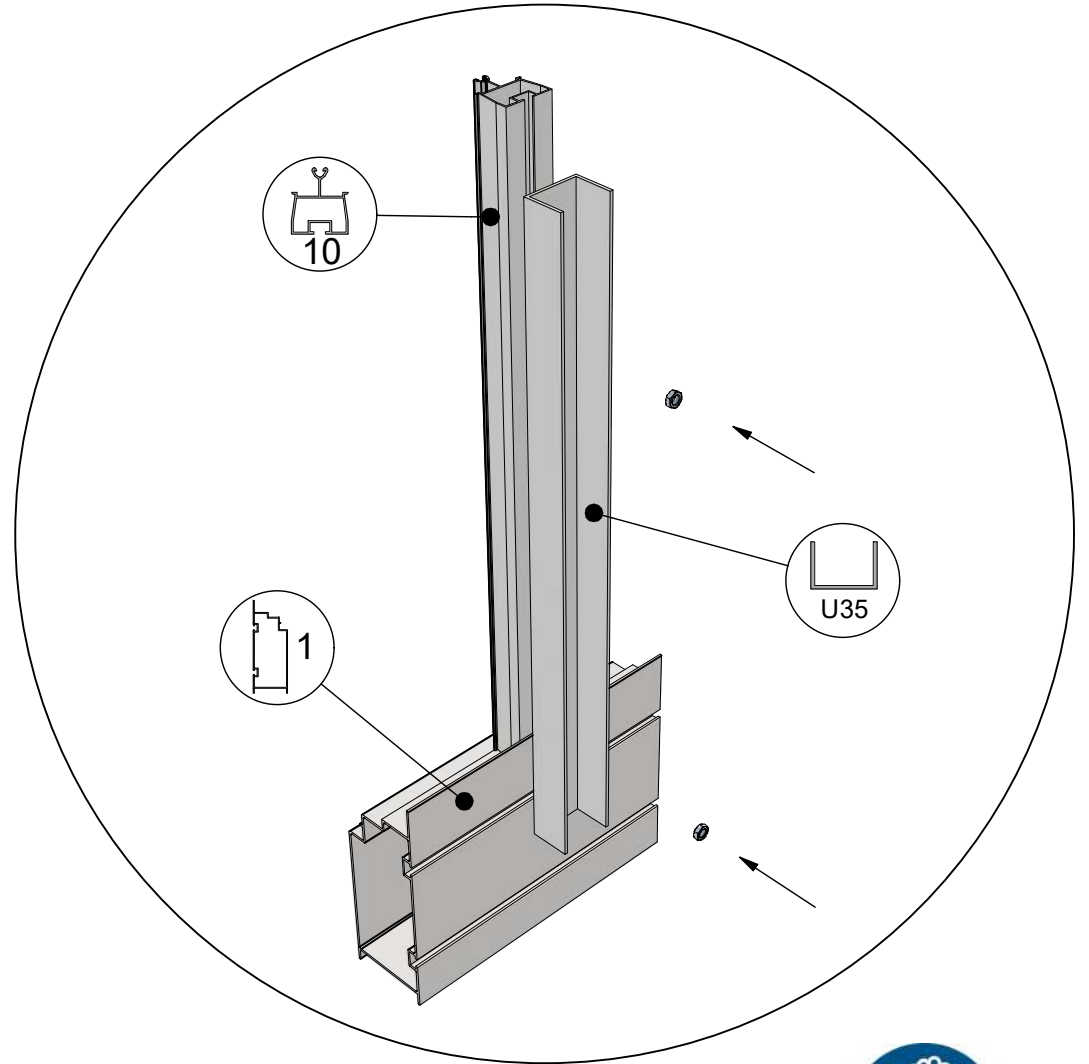
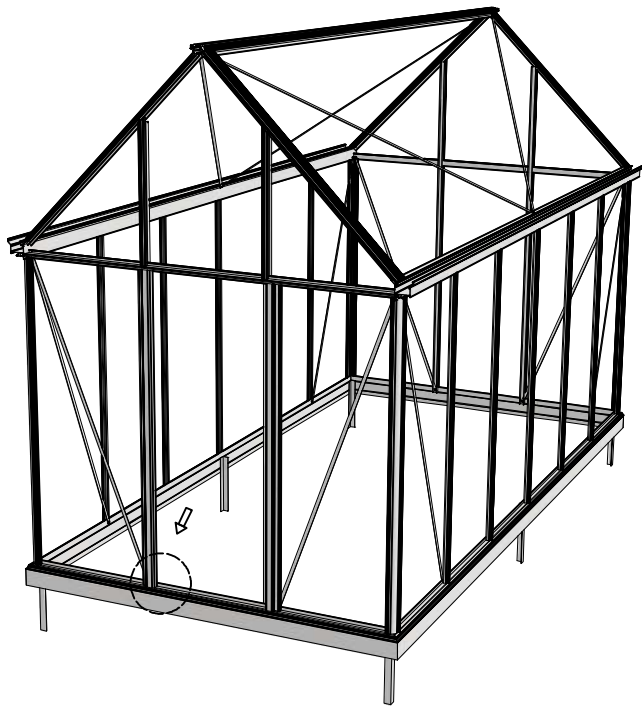
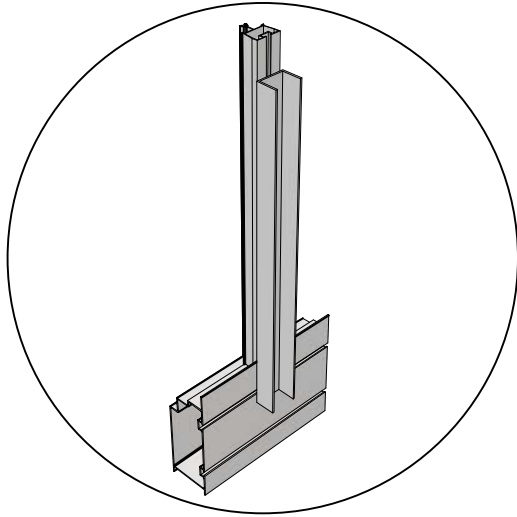


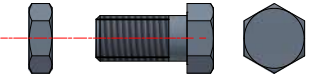
 = M6x12 (4x)

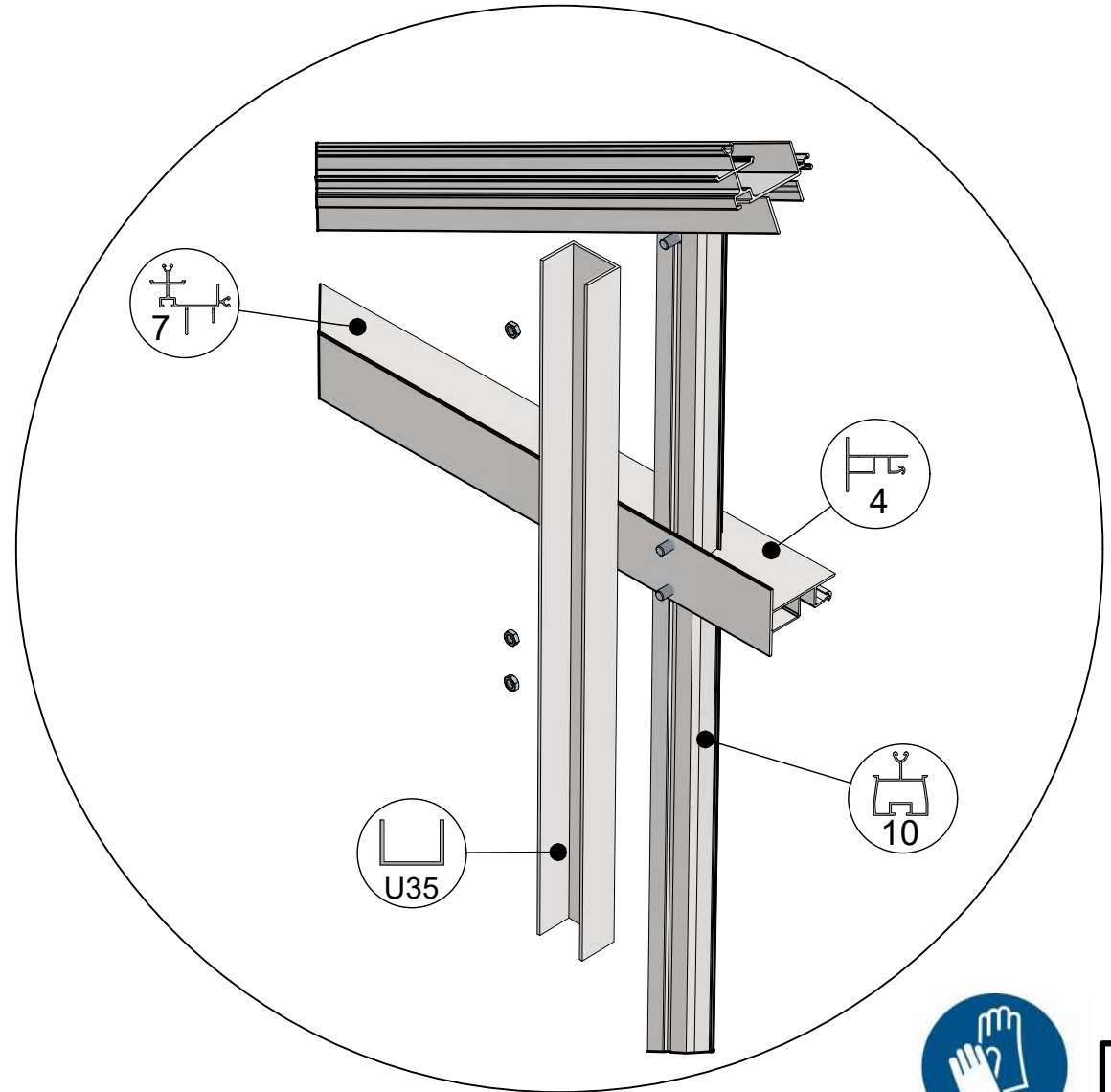
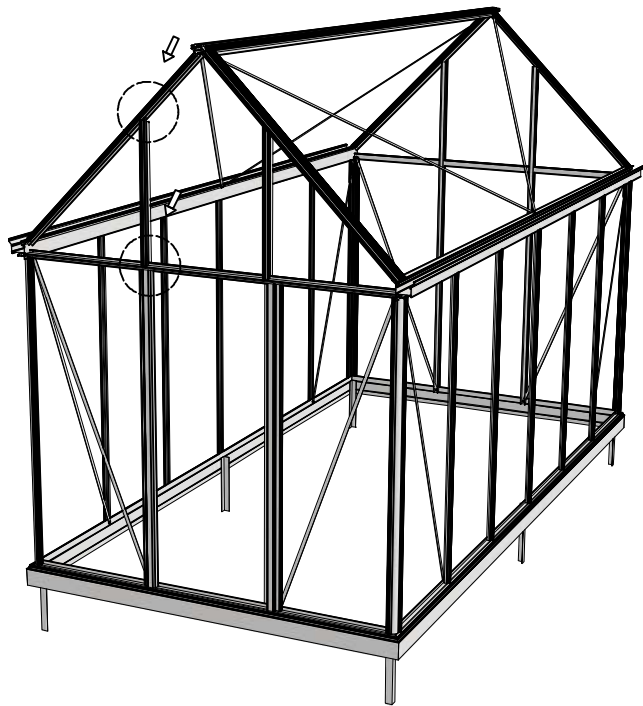





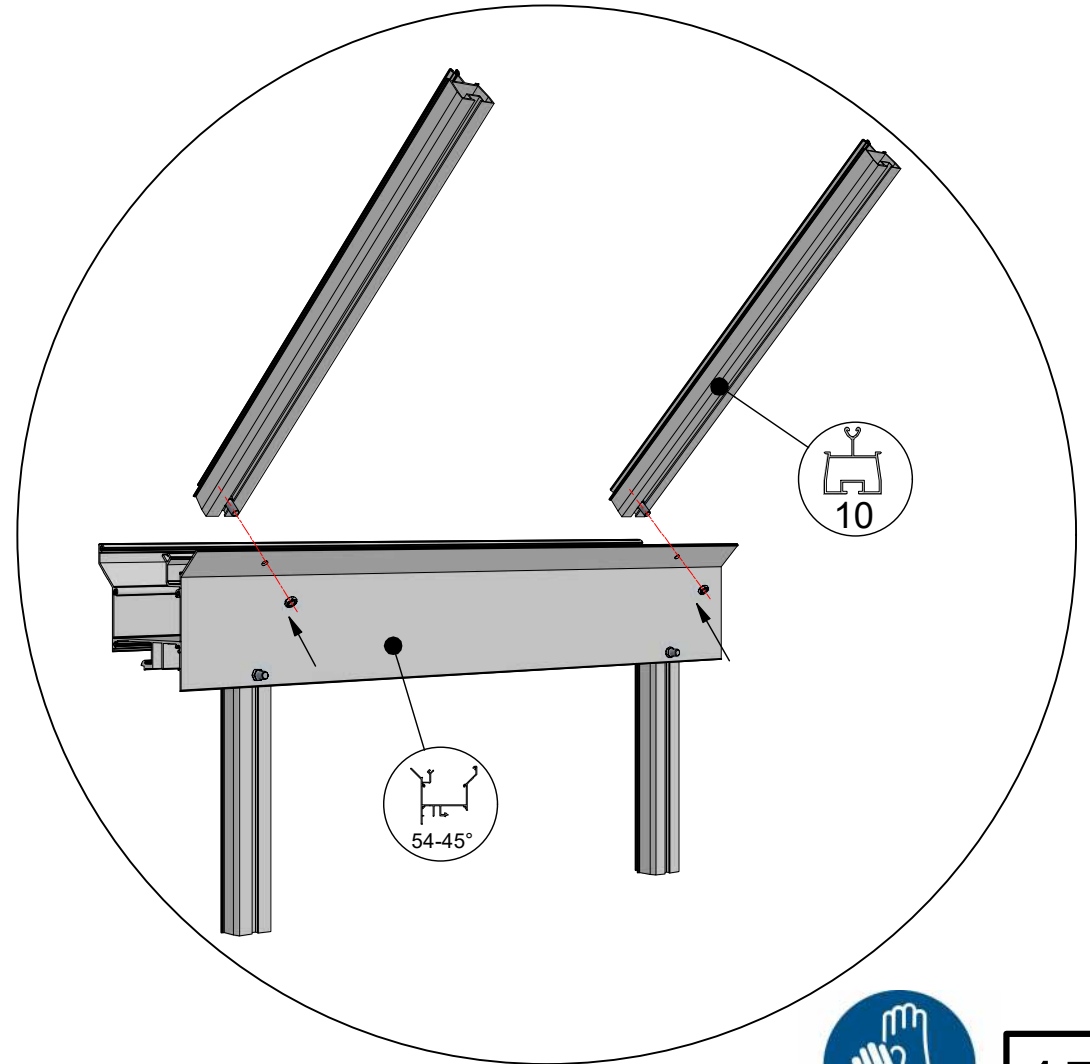
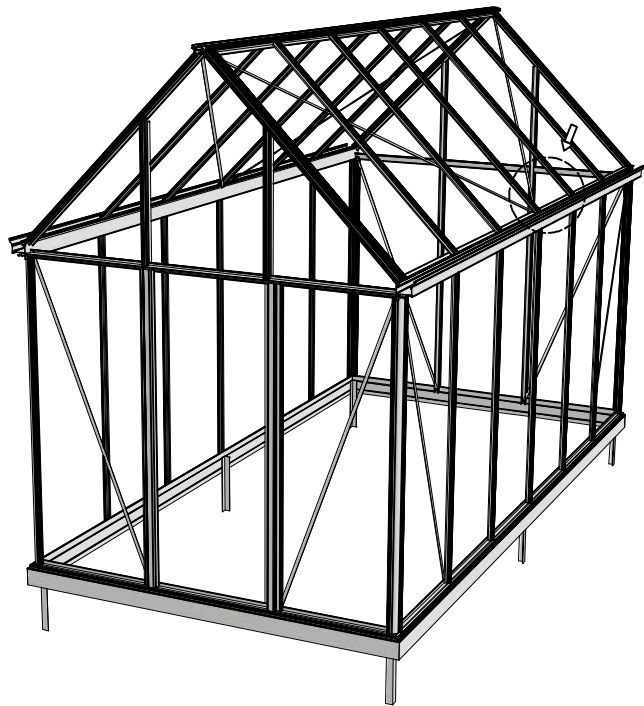
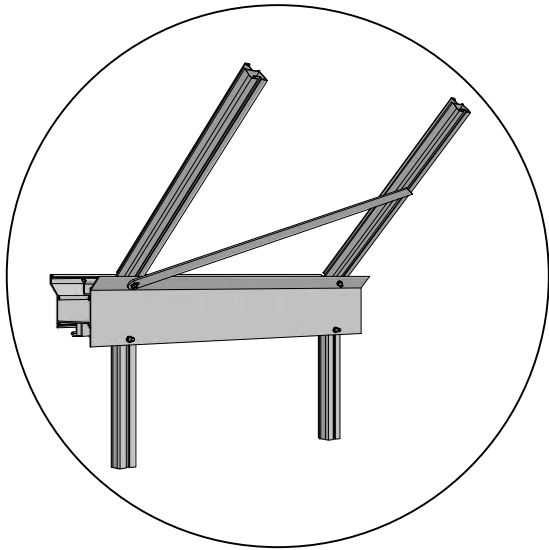
 = M6x12




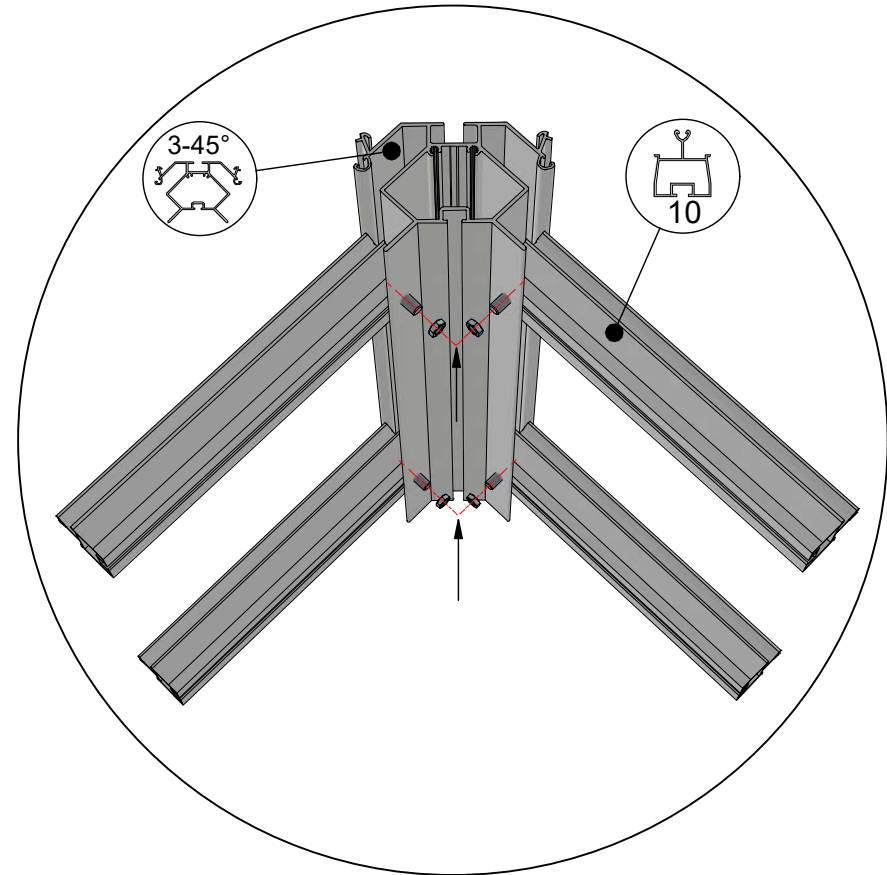
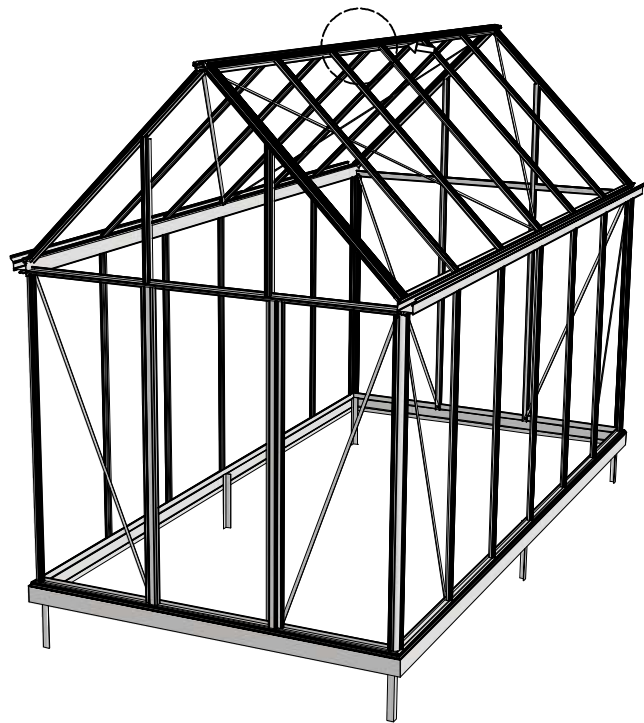
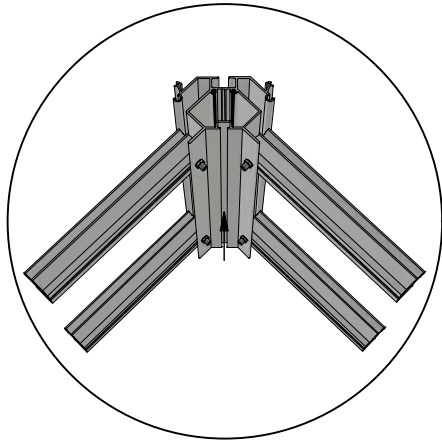
 = M6x12



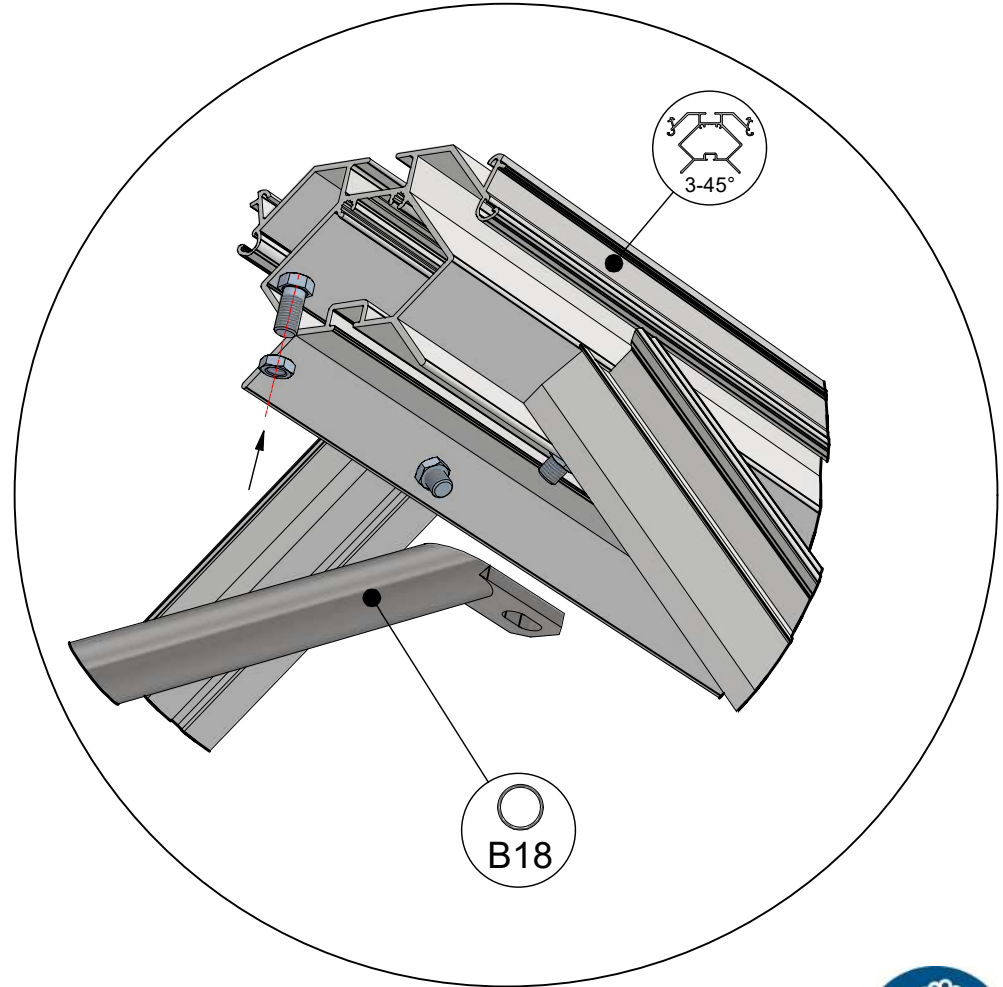
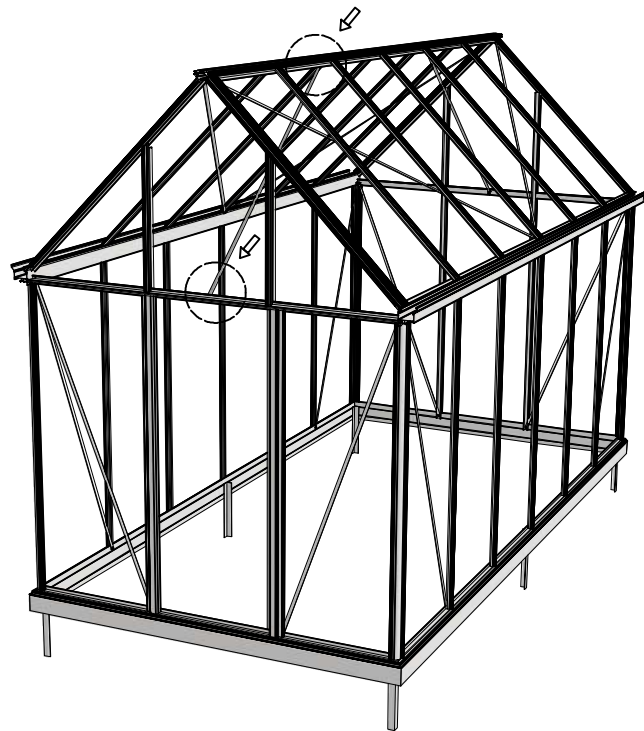
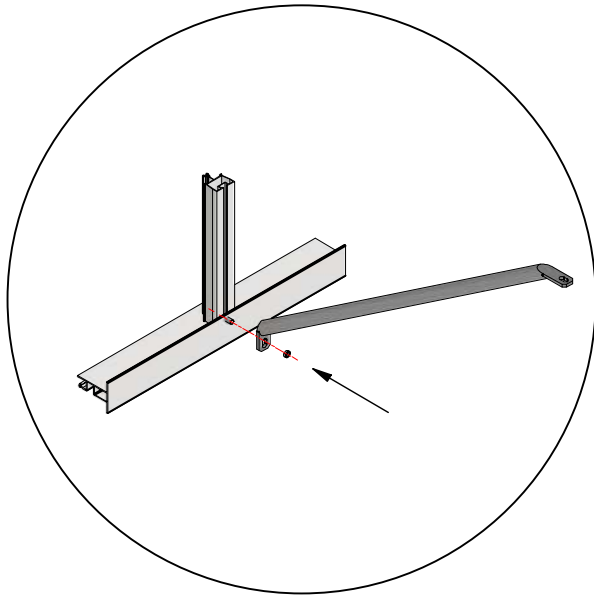
 = M6x12

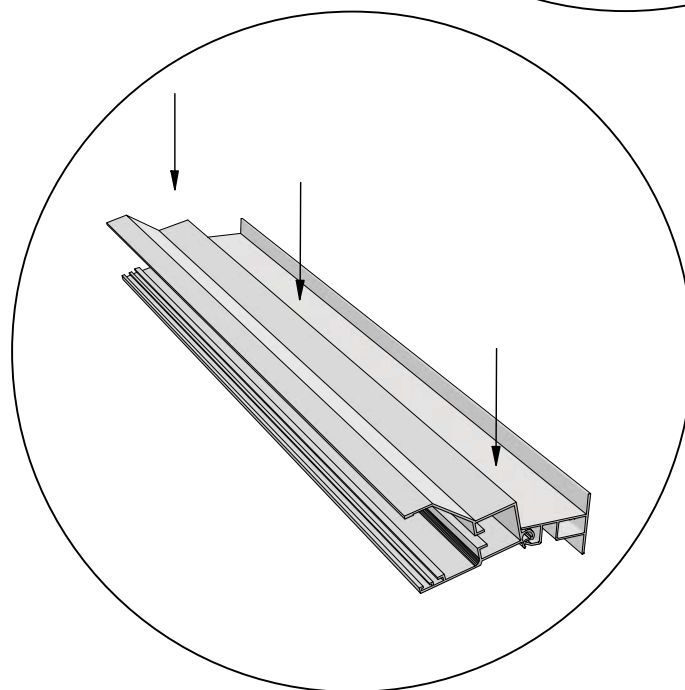
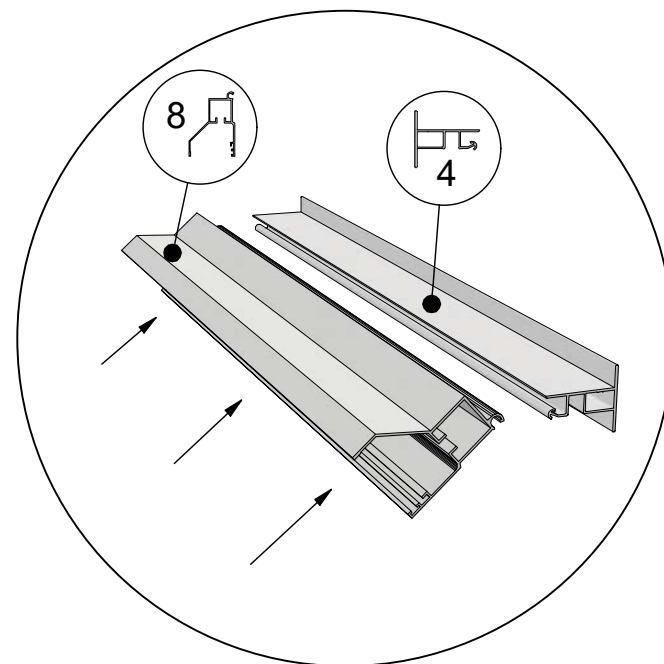
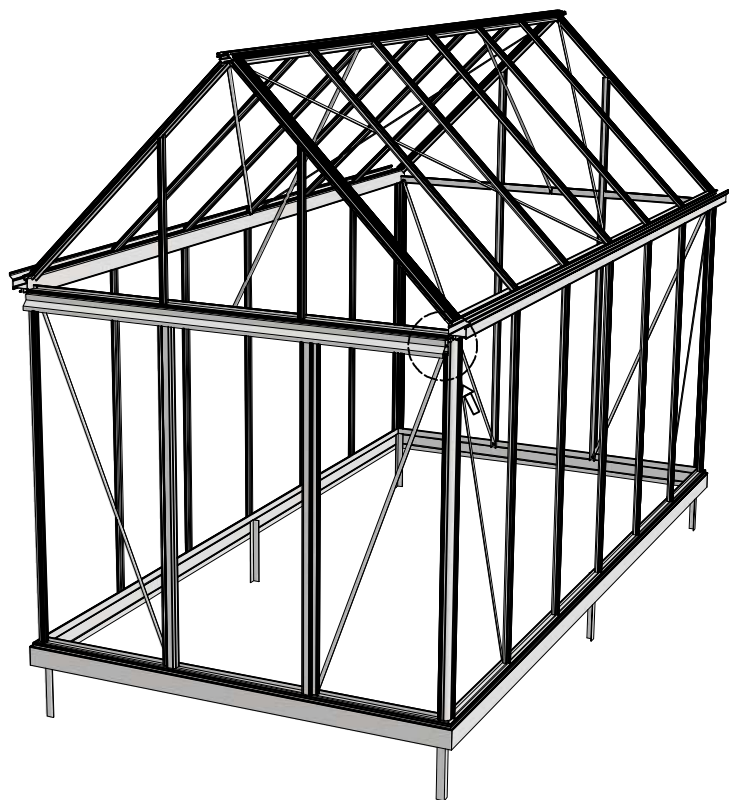


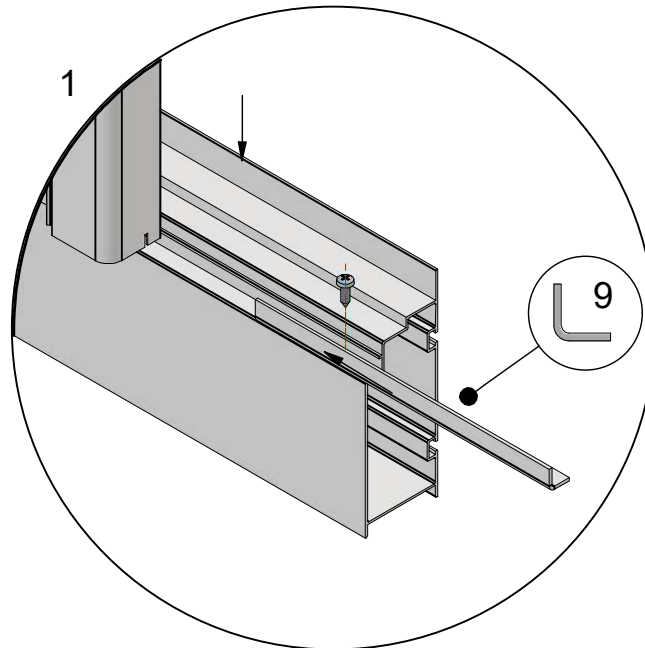
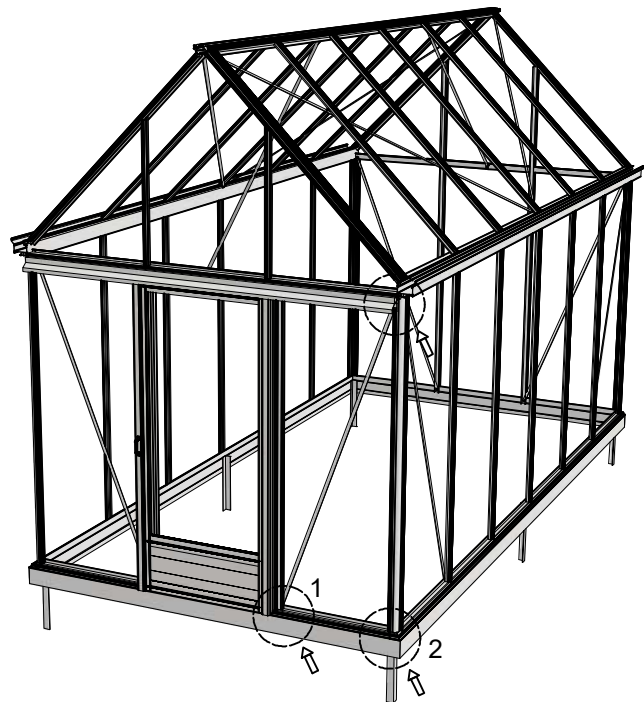
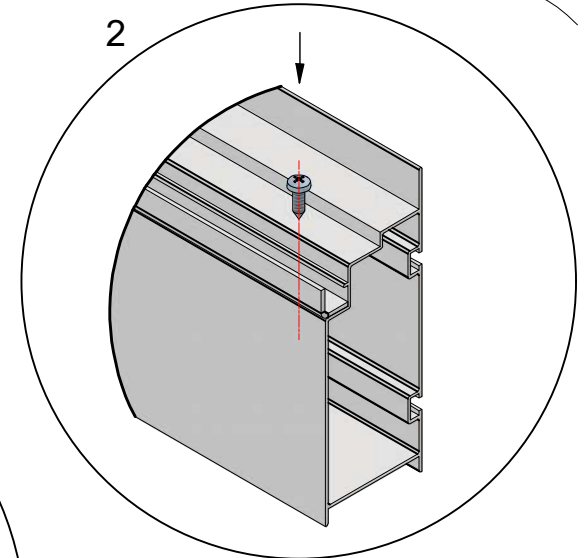
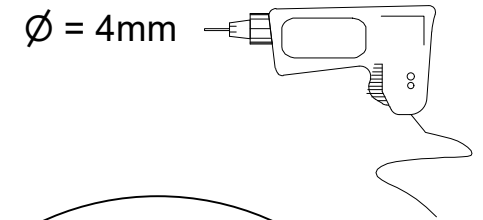
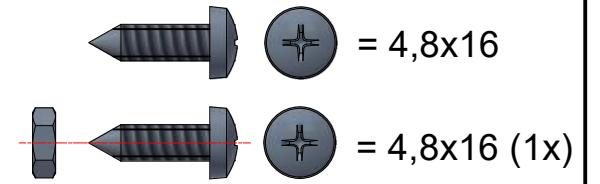
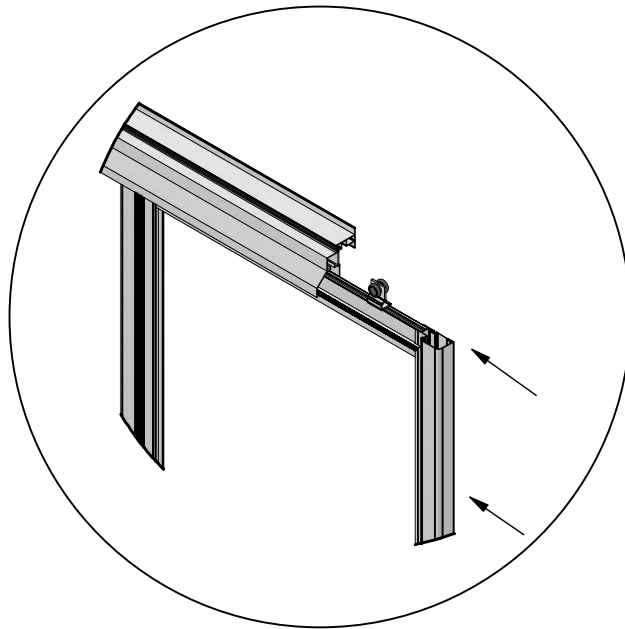
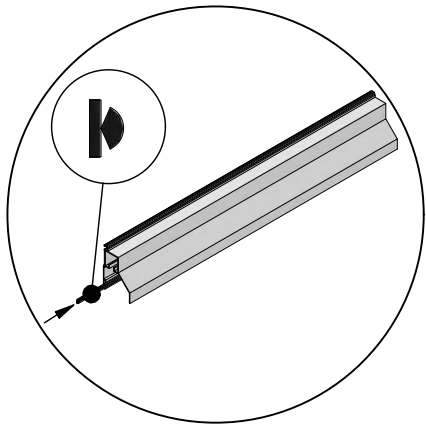
 = M6x12



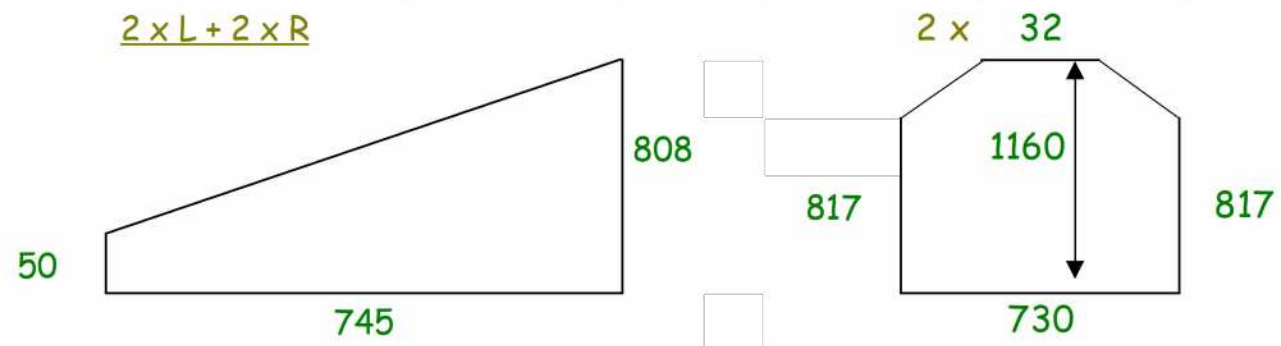
 = M6x12 (4x)







Glass Dimensions Nv Euro-serre		Euro-Cottage 2,36m			GlassH: 1650				
Glass Size 730mm	Sides		Size Lenght x Wide		Roof	Size Lenght x Wide			
	1650 x 730	1650 x 573	1250 x 730		1590 x 730	825 x 730	763 x 730	m ²	m ²
Euro-Cottage 2,36m x 2,36m	10	1	1		4	2	2	13,9	7,0
Euro-Cottage 2,36m x 3,09m	12	1	1		6	2	2	16,3	9,3
Euro-Cottage 2,36m x 3,80m	14	1	1		8	2	2	18,7	11,6
Euro-Cottage 2,36m x 4,57m	16	1	1		9	3	3	21,1	13,9
Euro-Cottage 2,36m x 5,30m	18	1	1		11	3	3	23,5	16,2
Euro-Cottage 2,36m x 6,04m	20	1	1		12	4	4	25,9	18,6
Points <u>2 x L + 2 x R</u>								4,59 m ²	



Glass Dimensions Nv Euro-serre Euro-Cottage 2,36m GlassH: 1850

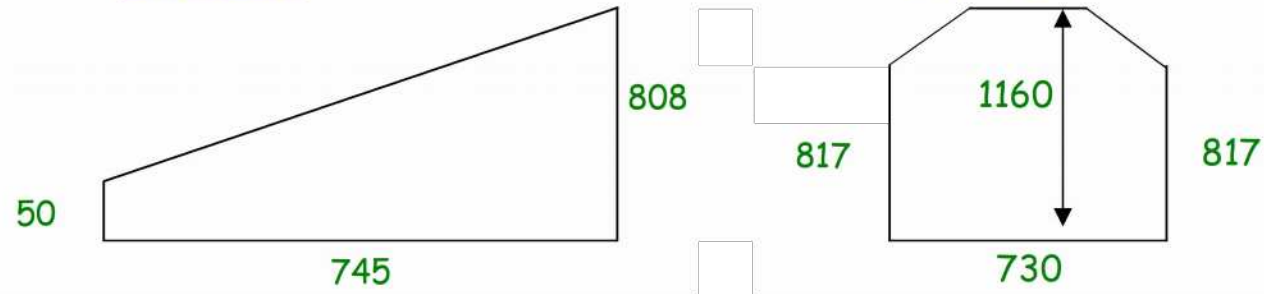
Glass Size 730mm	Sides			Roof				
	Size Lenght x Wide	Size Lenght x Wide	Size Lenght x Wide	Size Lenght x Wide	Size Lenght x Wide	Size Lenght x Wide	m ²	m ²
	1850 x 730	1850 x 573	1450 x 730	1590 x 730	825 x 730	763 x 730		
Euro-Cottage 2,36m x 2,36m	10	1	1	4	2	2	15,6	7,0
Euro-Cottage 2,36m x 3,09m	12	1	1	6	2	2	18,3	9,3
Euro-Cottage 2,36m x 3,80m	14	1	1	8	2	2	21,0	11,6
Euro-Cottage 2,36m x 4,57m	16	1	1	9	3	3	23,7	13,9
Euro-Cottage 2,36m x 5,30m	18	1	1	11	3	3	26,4	16,2
Euro-Cottage 2,36m x 6,04m	20	1	1	12	4	4	29,1	18,6

Points

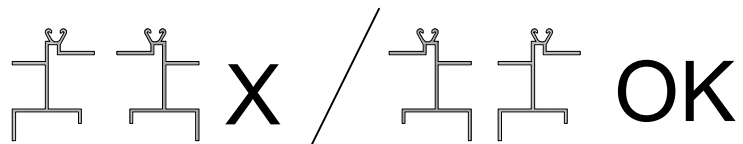
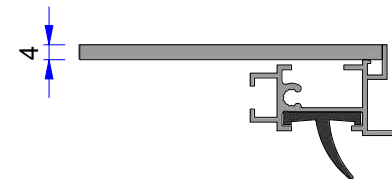
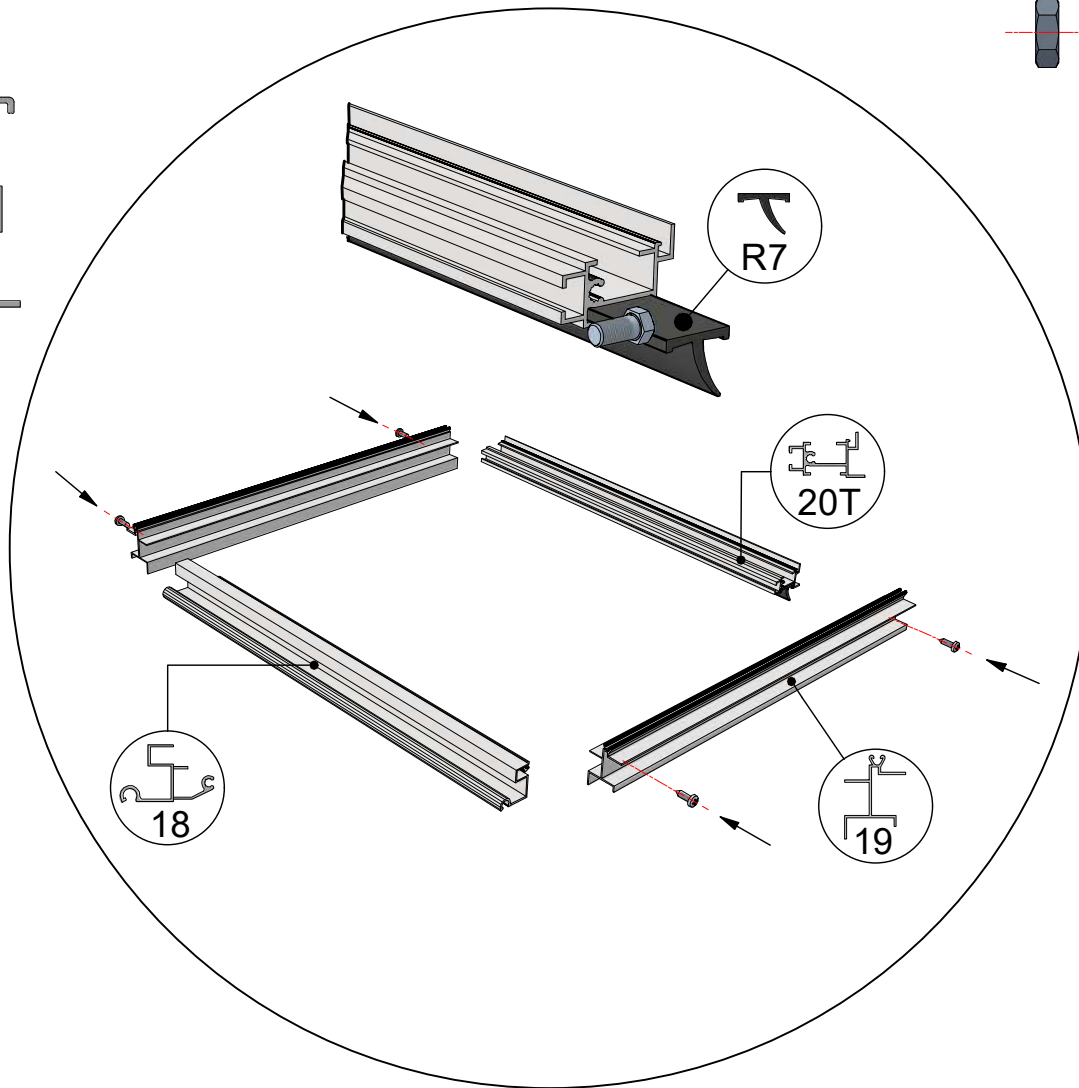
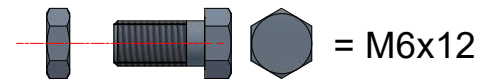
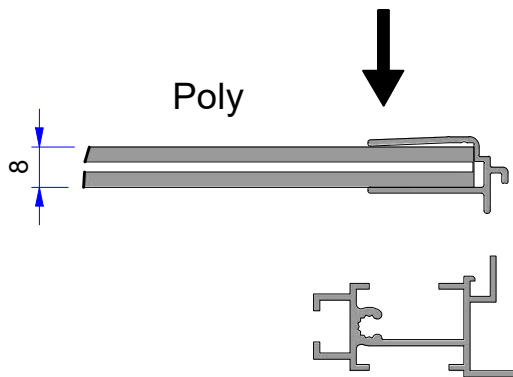
$2 \times L + 2 \times R$

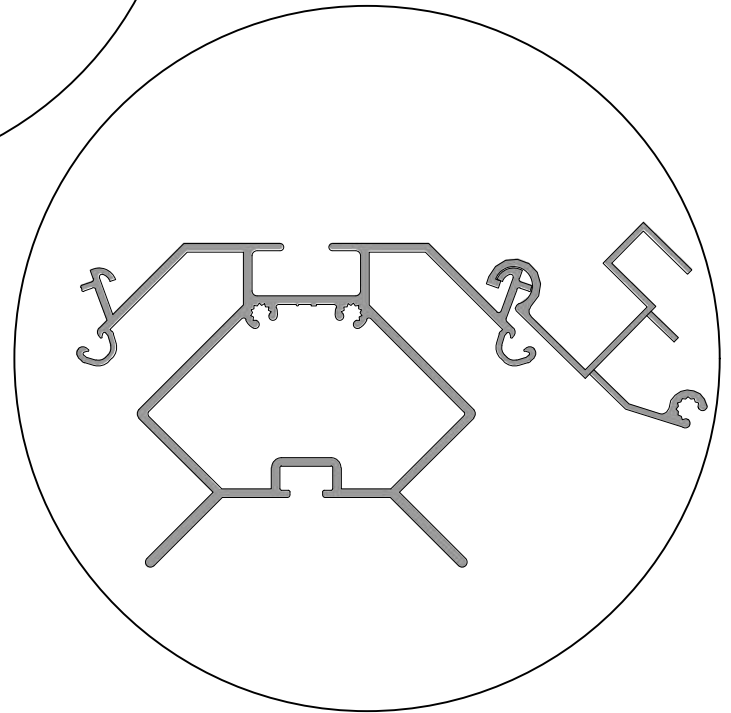
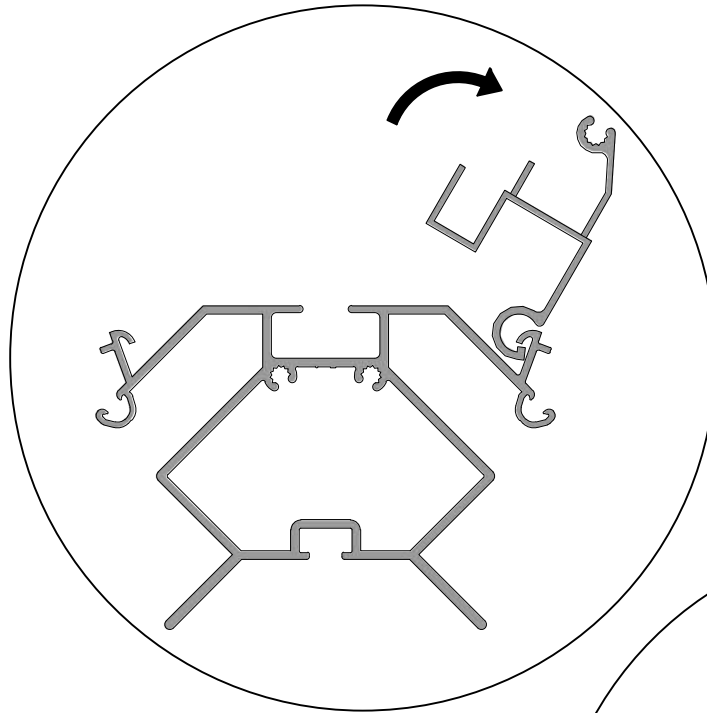
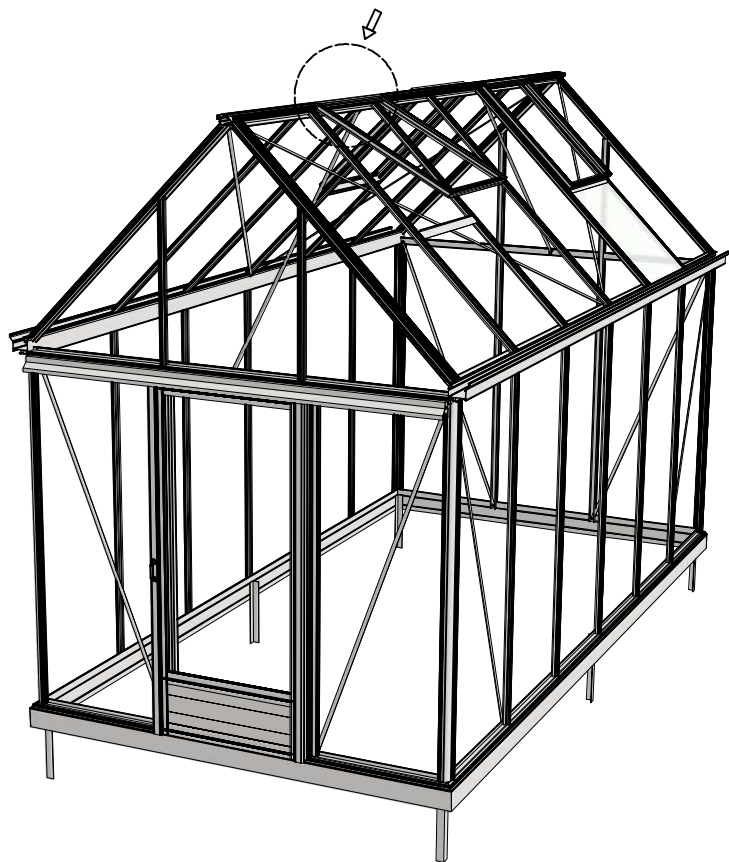
2×32

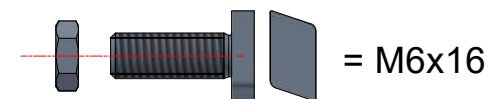
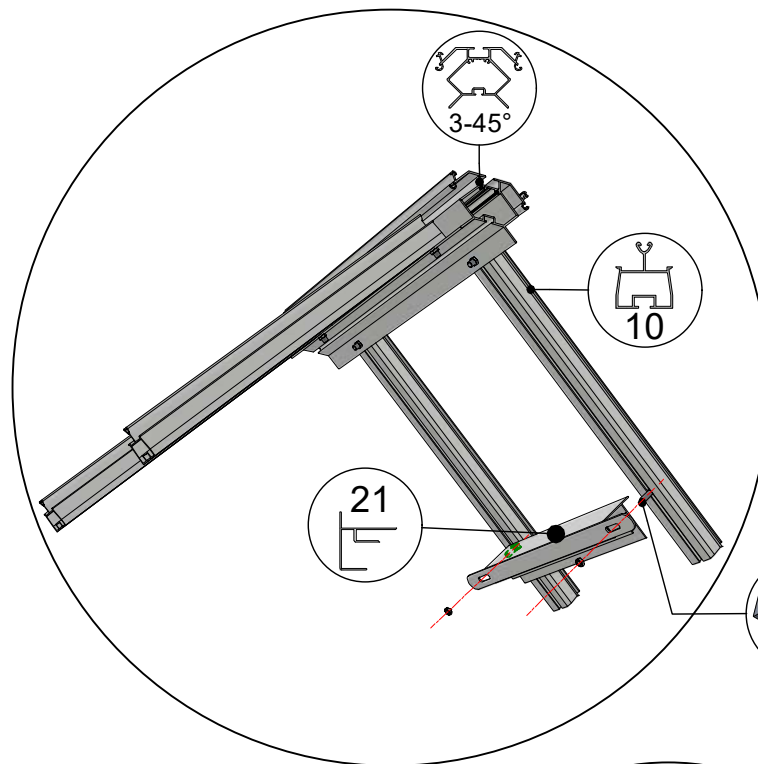
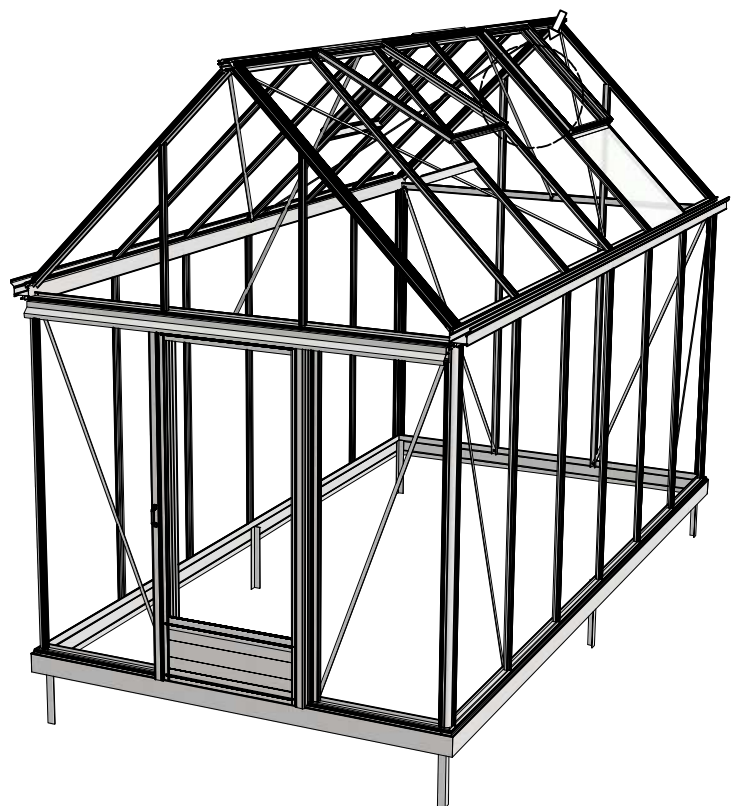
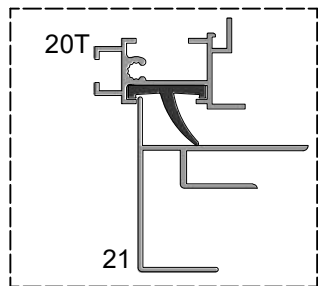
4,59 m²

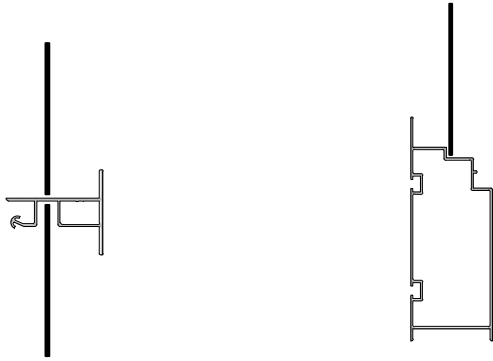
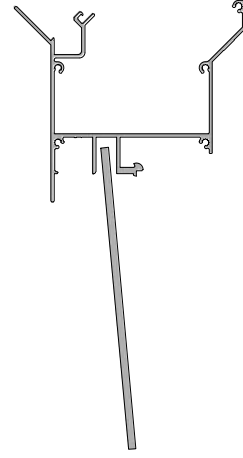


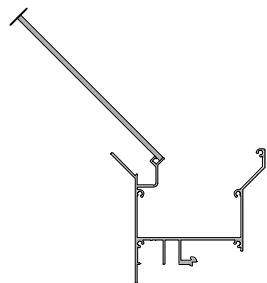
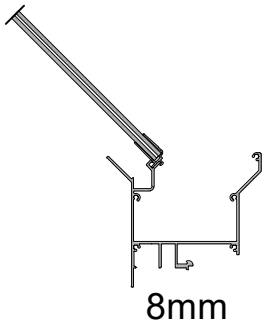
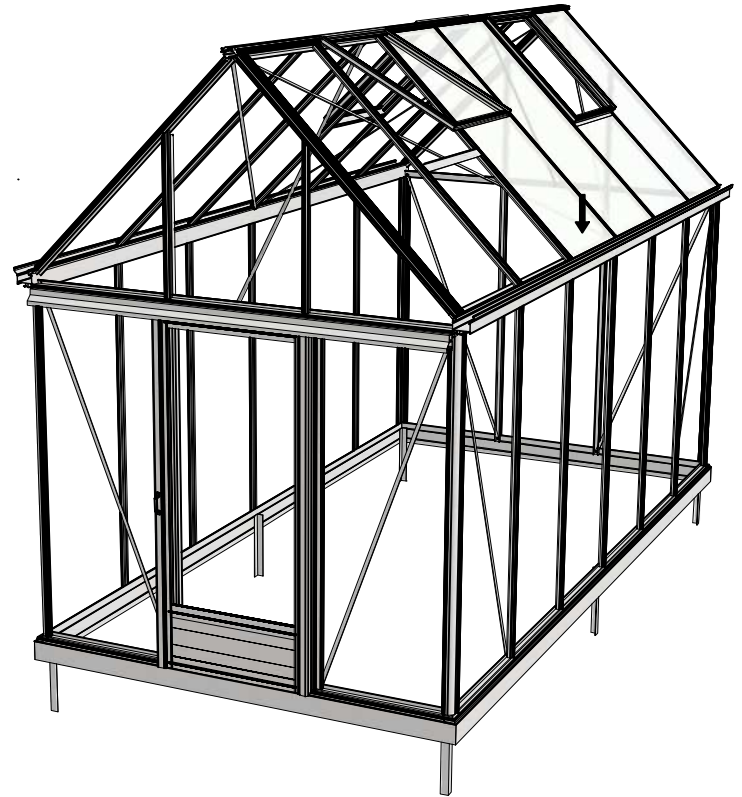
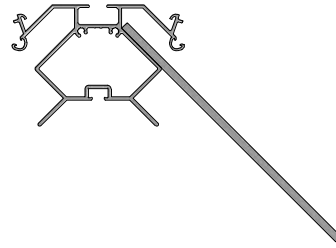
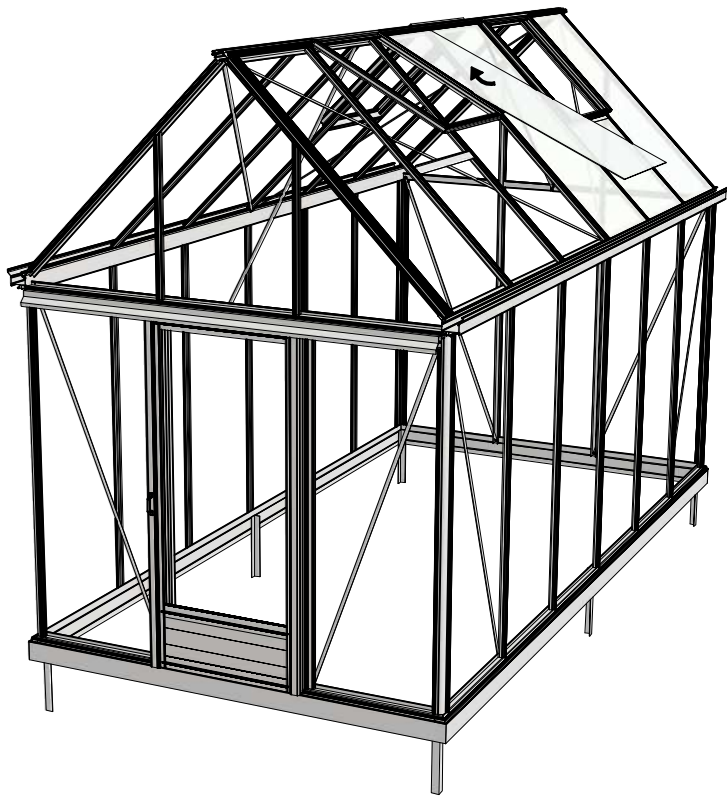
Opgemaakt op 15-03-2023



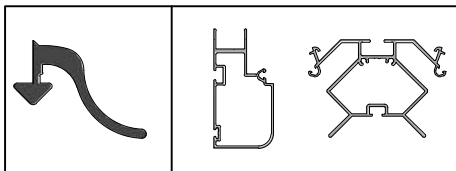
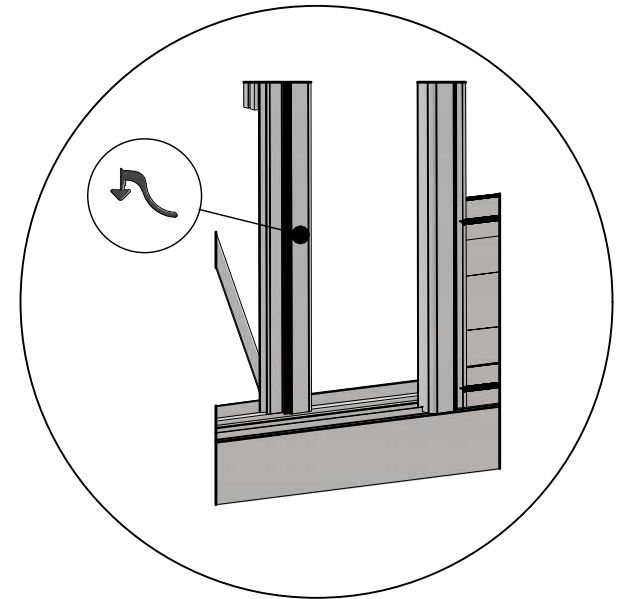


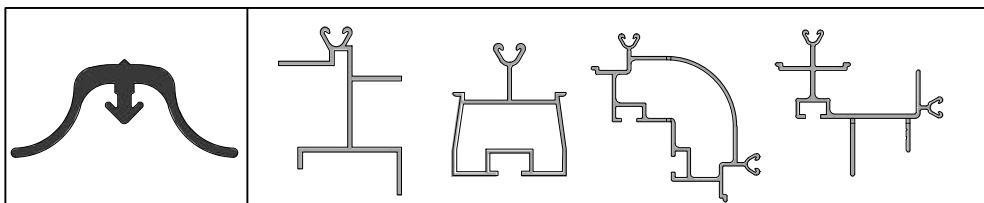
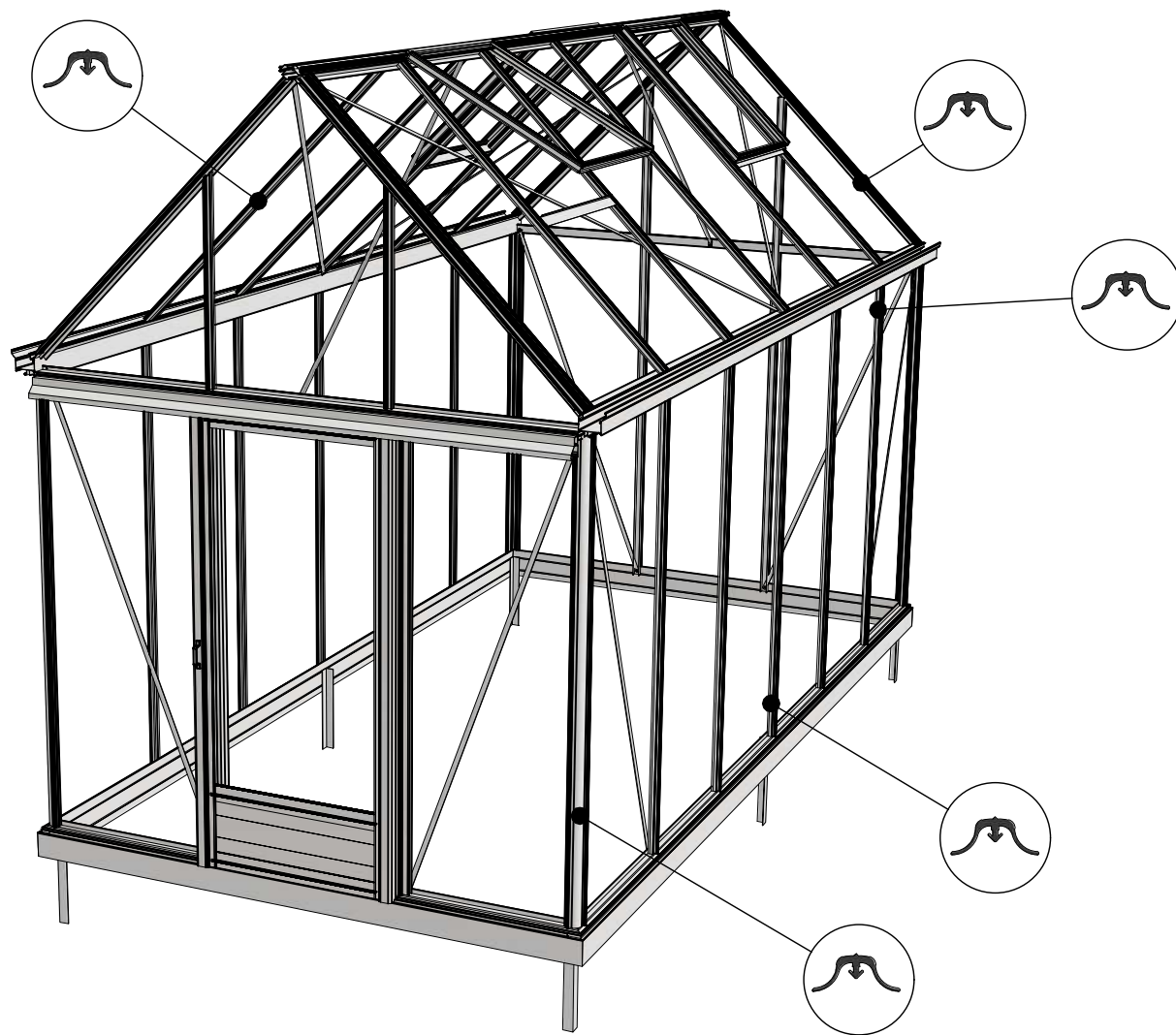


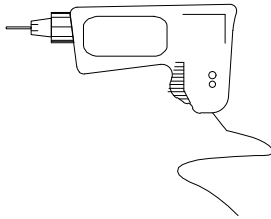


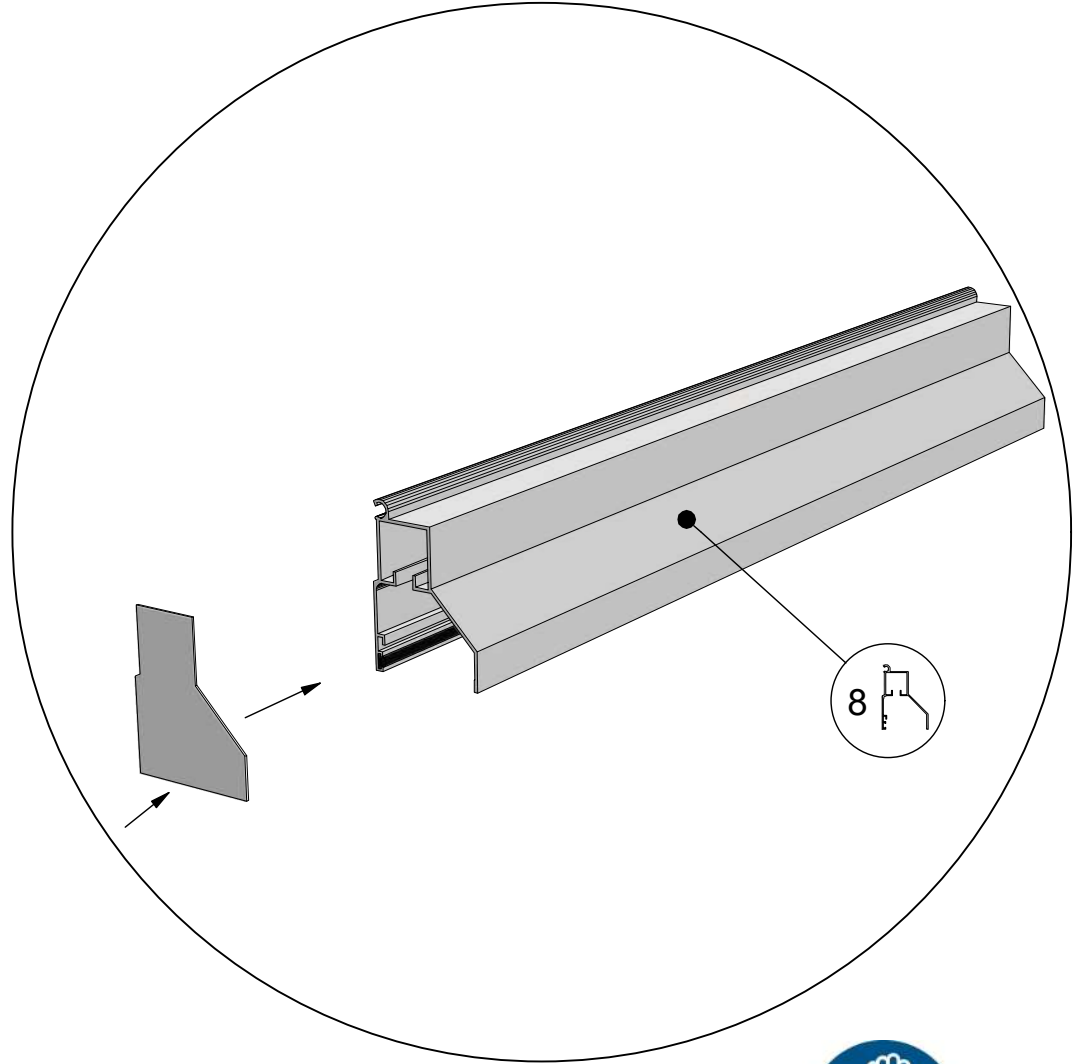




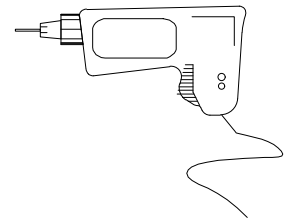


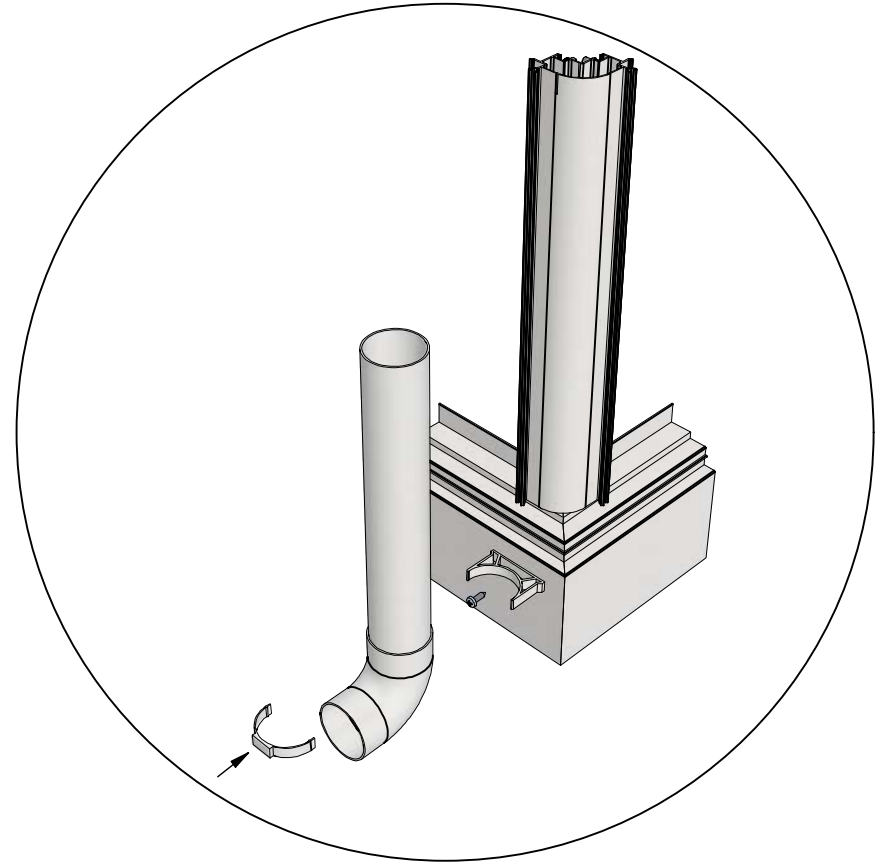
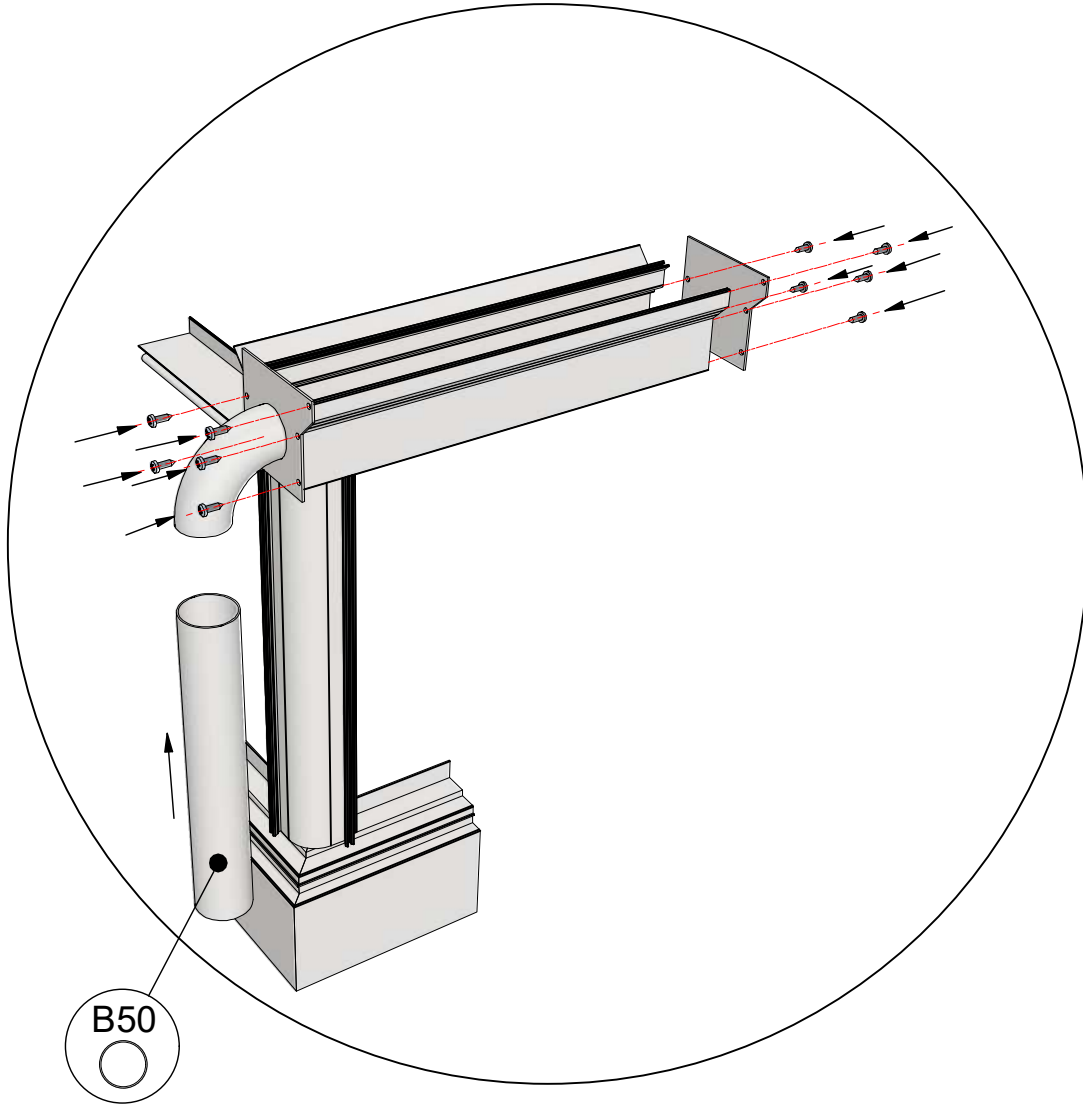


Ø = 4mm 

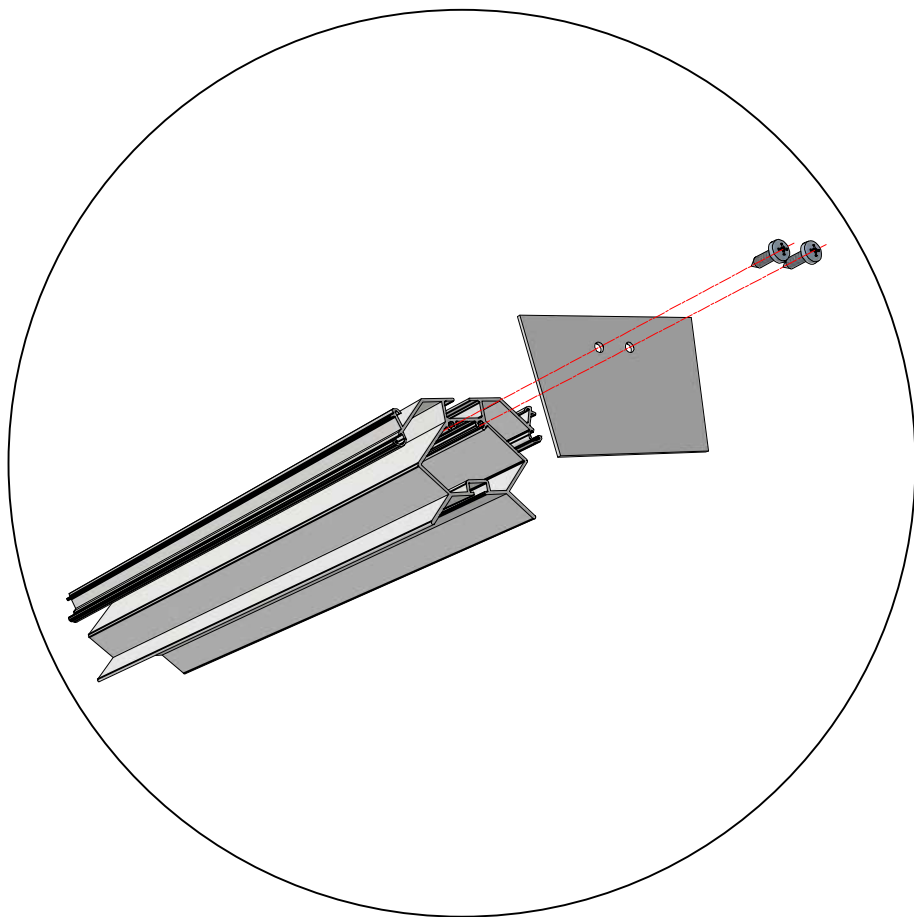


 = 4,8x16

Ø 4mm 



  = 4,8x16





Geleenlaan 1 - 3600 Genk

ref: Cottage-001 Rev. 05.10.2023

OCBS - 1148-CPR-20231003-989 (C)

EN 1090-1 EXC 1

Euro-Cottage

www.euroserre.com/cecertificaten