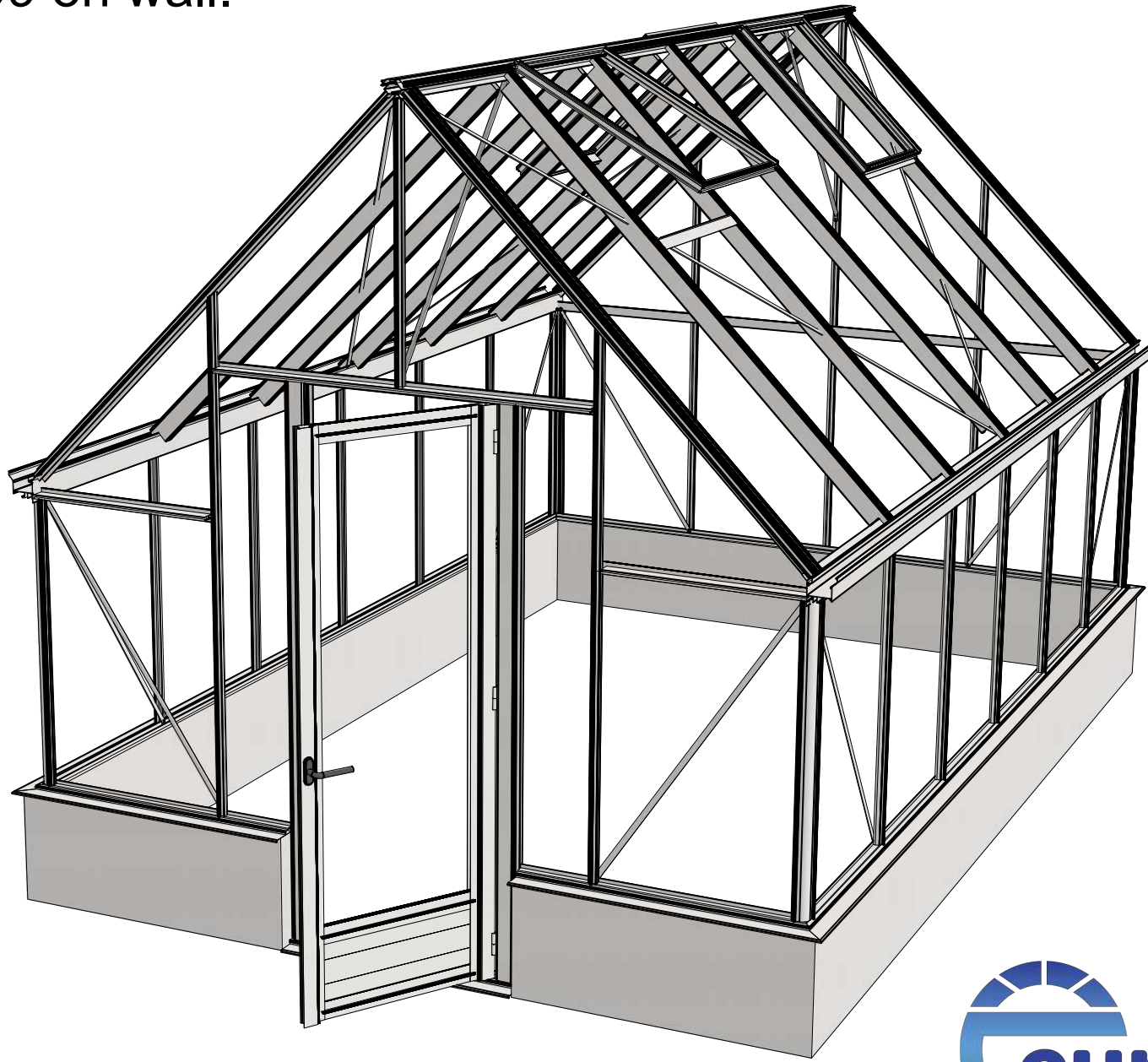


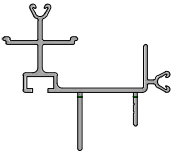
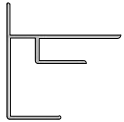
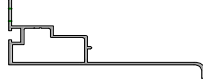
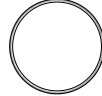
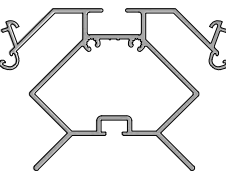


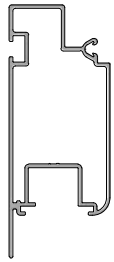
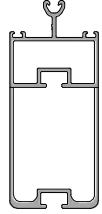
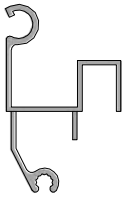
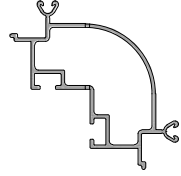
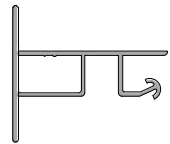
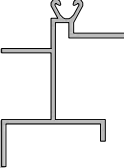
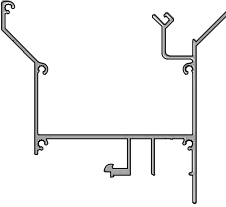
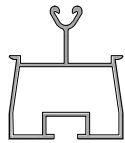
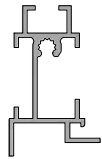
Rustiq 3,09 on wall.



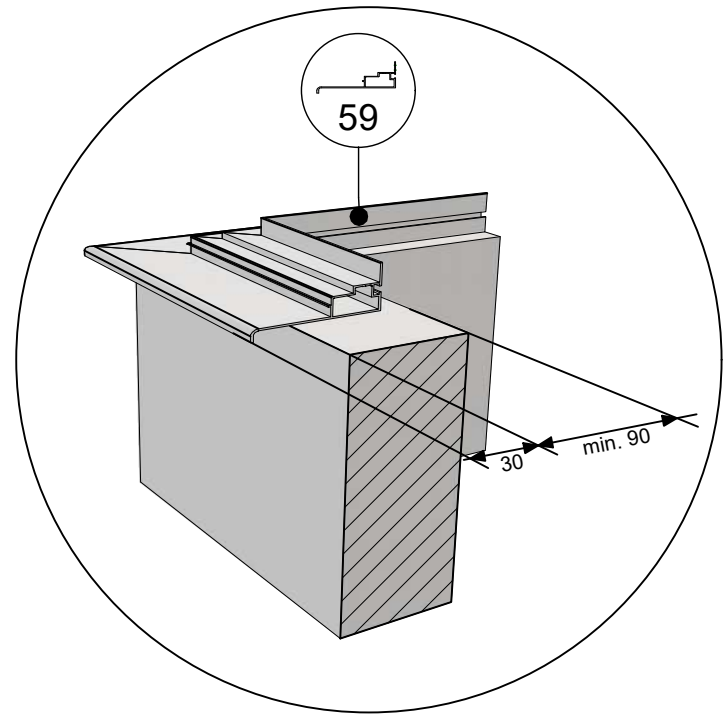
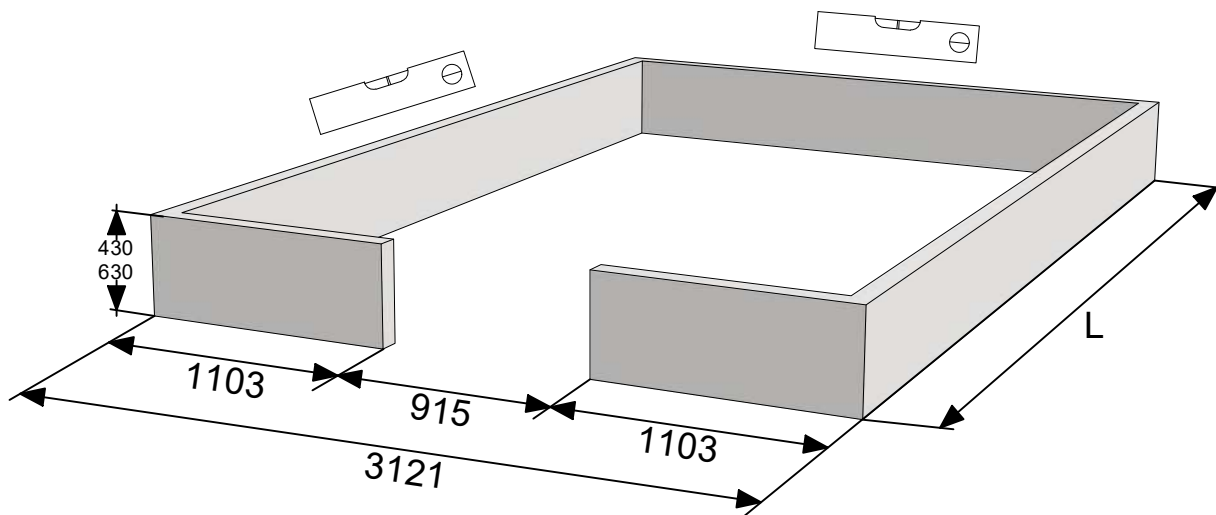
8-03-2023

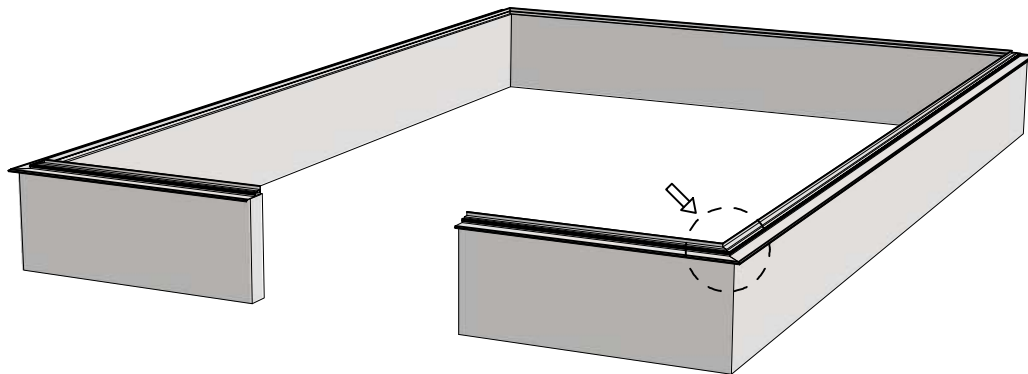
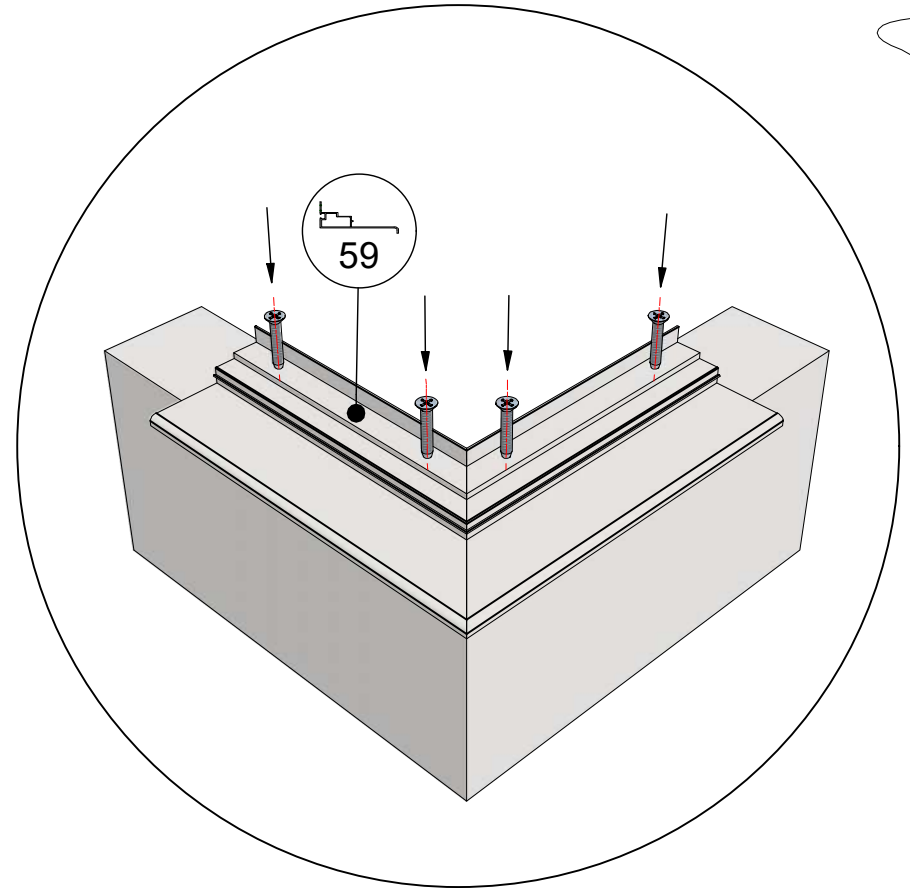
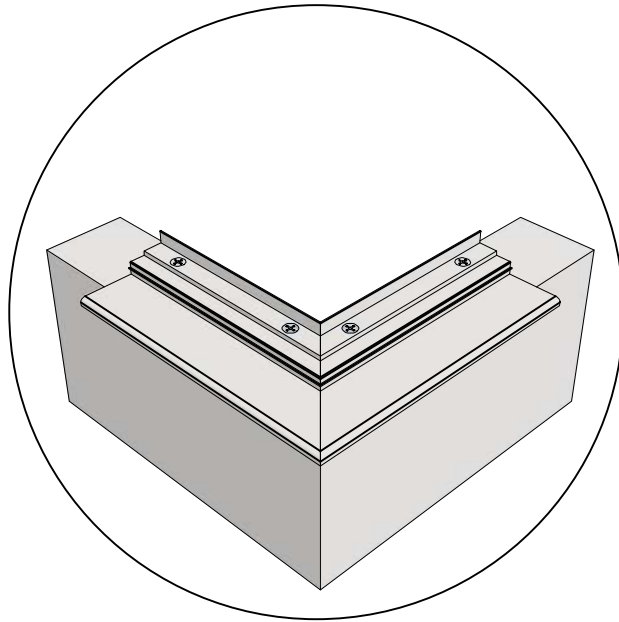
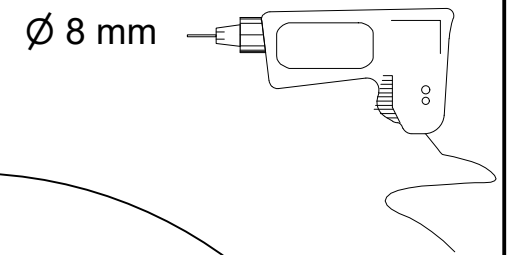


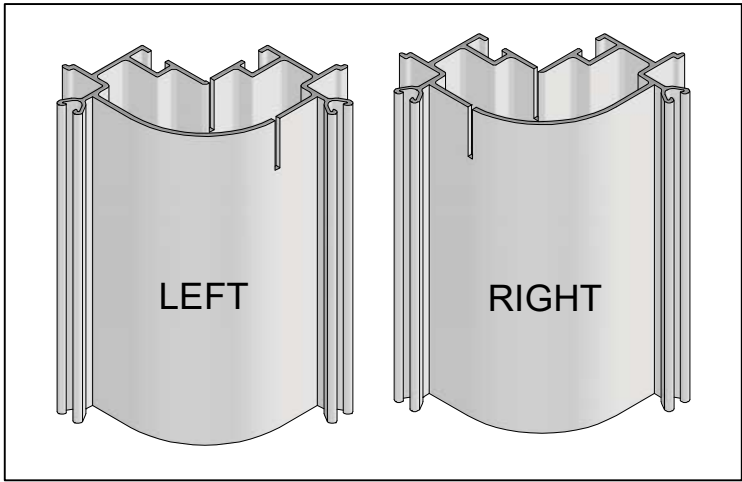
Profile list

Profile list											
-	NR	Profile NR	-	NR	Profile NR	-	NR	Profile NR	-	NR	Profile NR
	7	7151		21	2977		59	9249		40	B 50
	3-45°	15732		27	B 18		12	7070			
	58	12960		24	10968 U		18	17542			
	5	17548		4	17549		19	17543			
	54-45°	17540		10	17541		20T	28513			

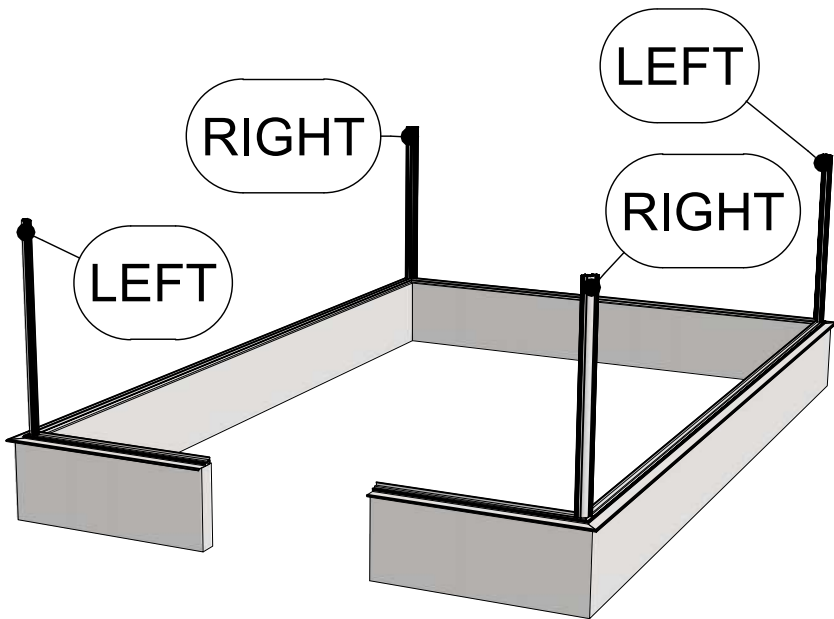
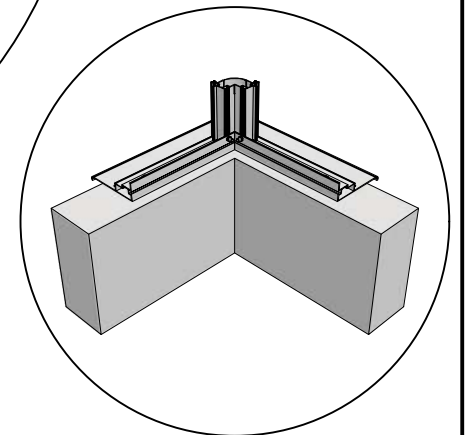
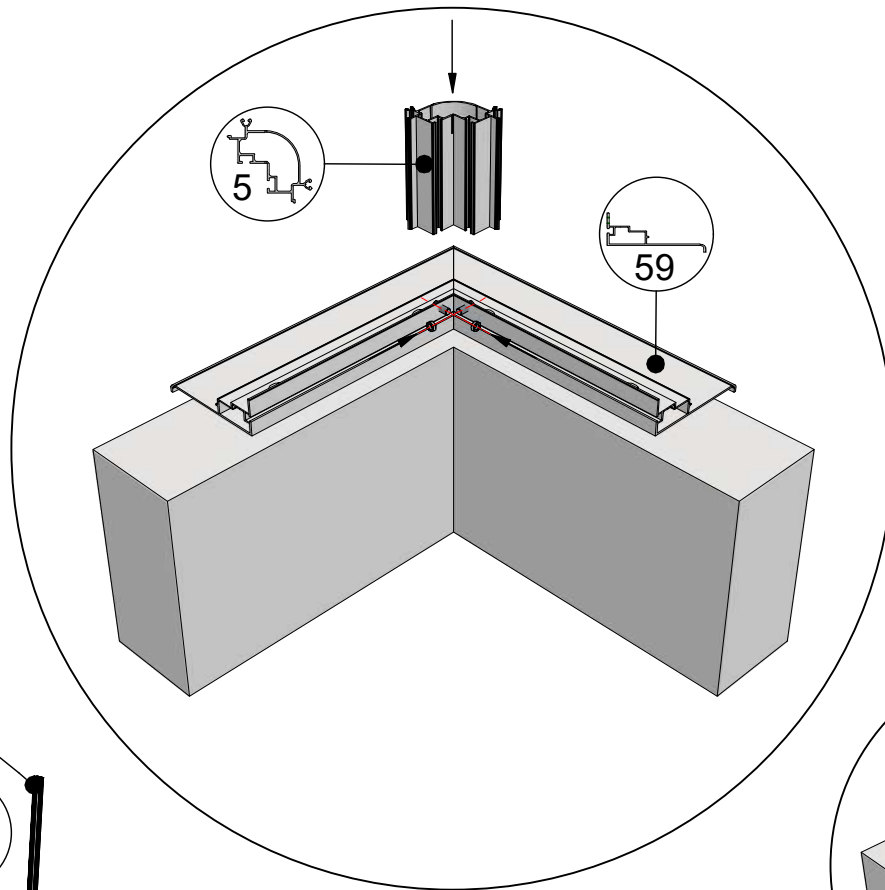
- Attention! Check inside the foundation for more profiles.
- Achtung! Prüfen sie das fundament für weitere profile.
- Opgelet! kijk in de fundering voor andere profielen.
- Attention! Regarde à l'intérieur du fondation pour plussier profils.
- Observera at en del profiler ligger i sockelprofilen!!




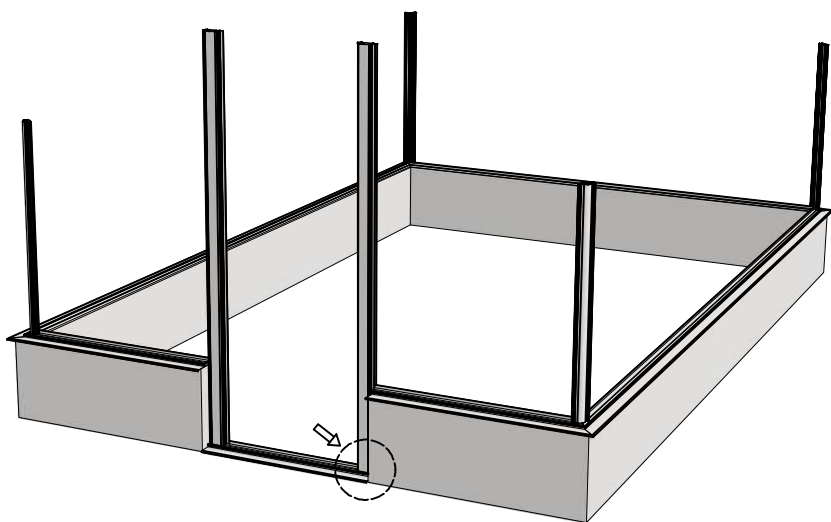
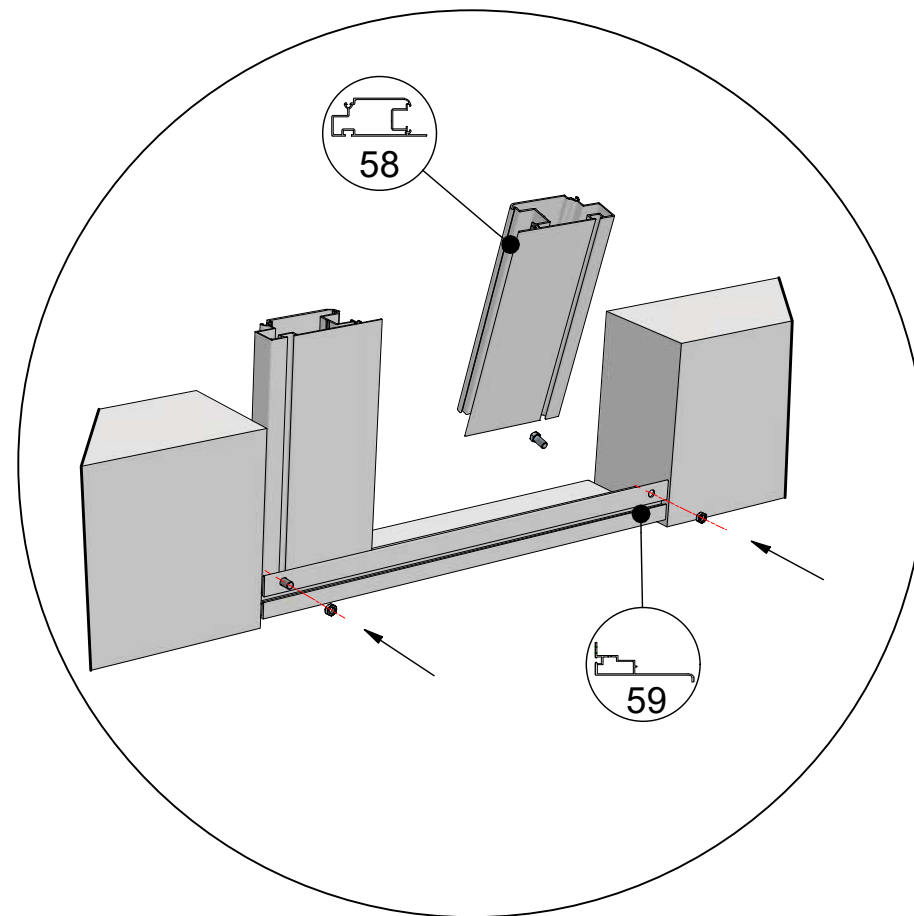
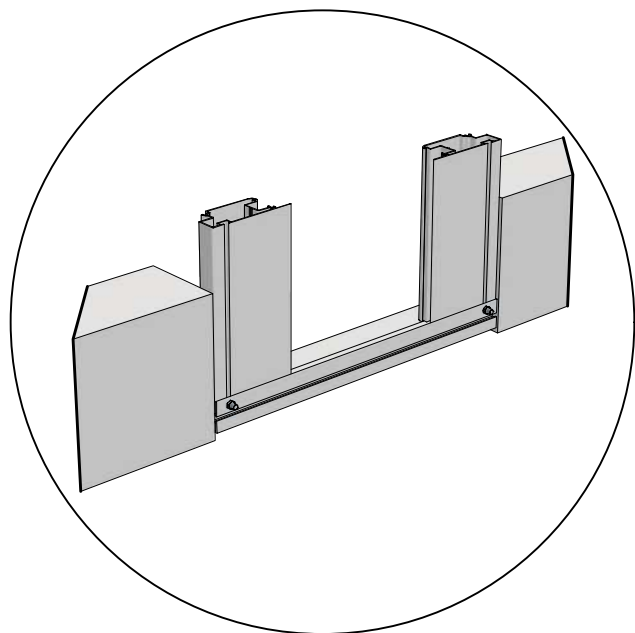


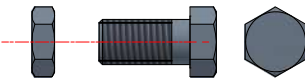


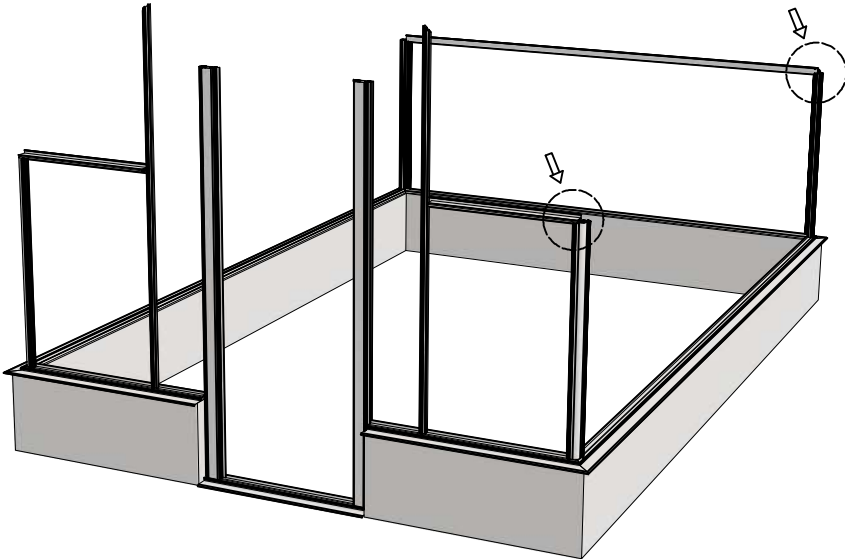
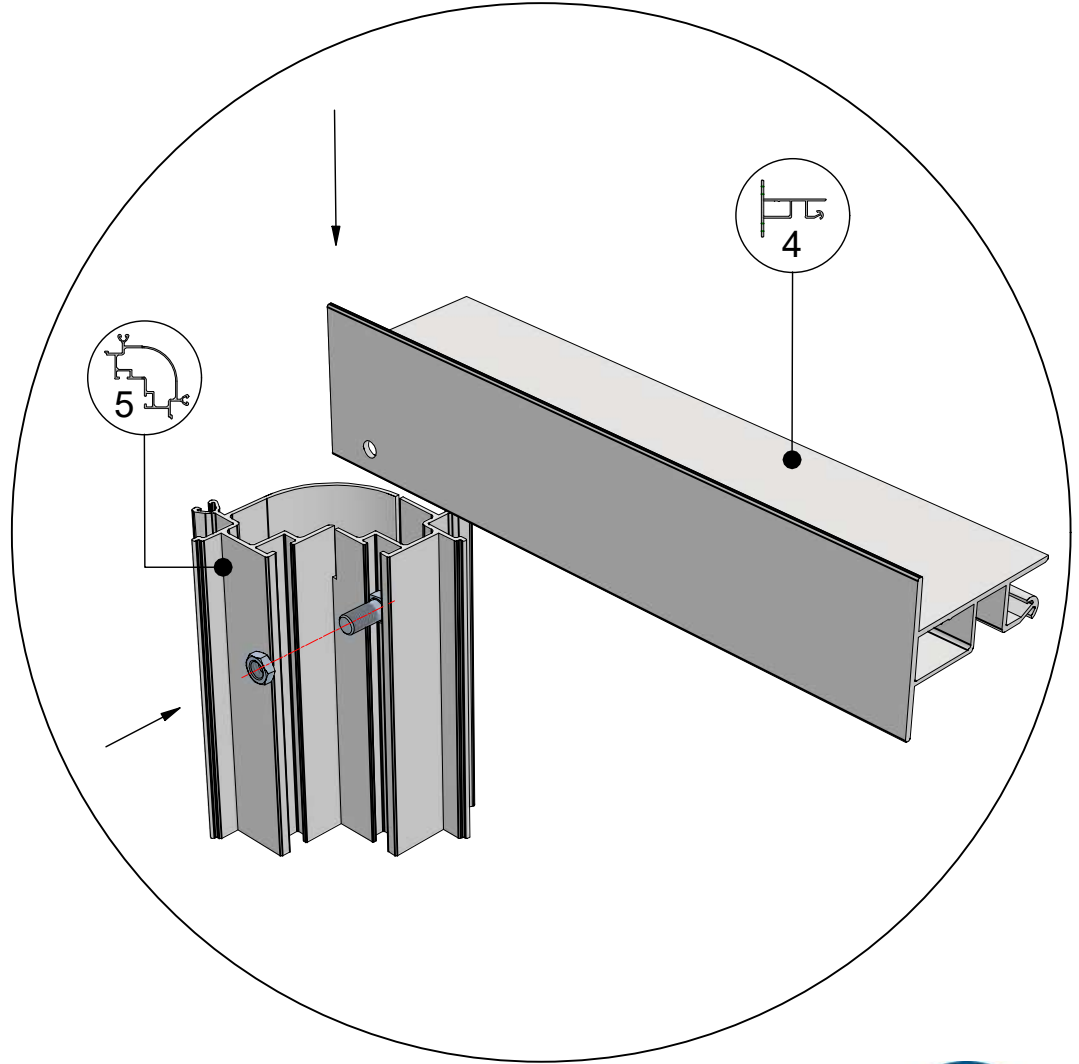
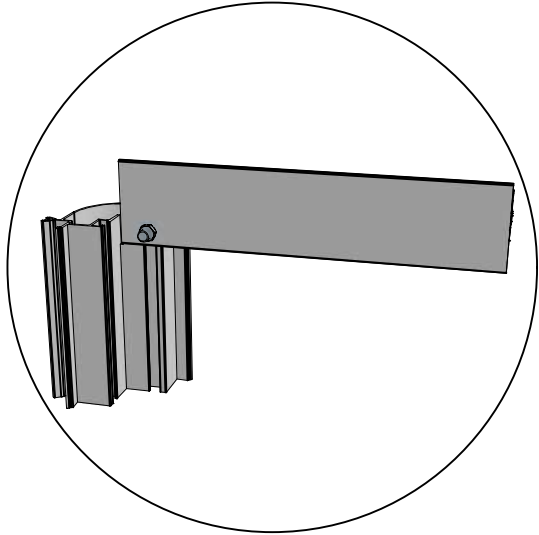
 = M6x12 (8x)

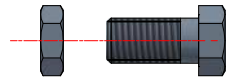


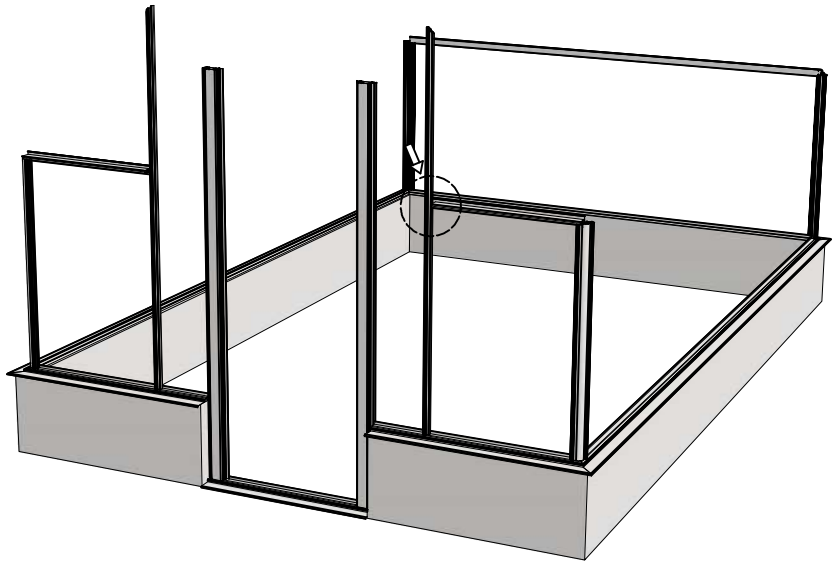
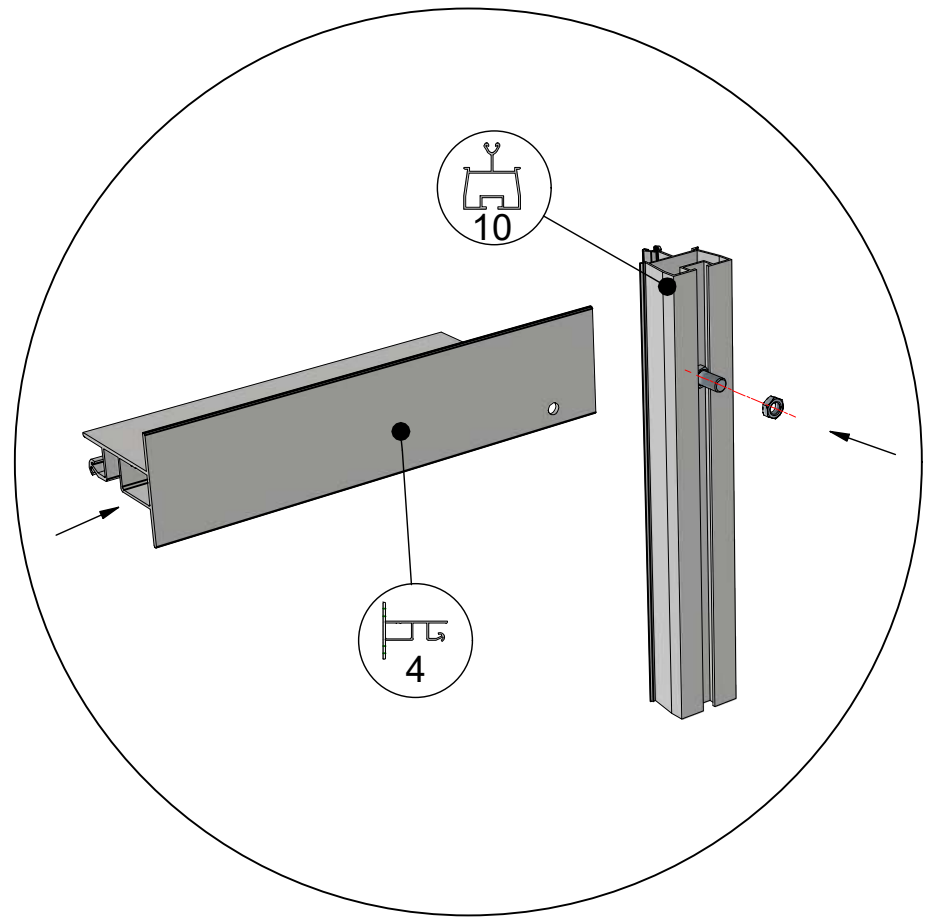
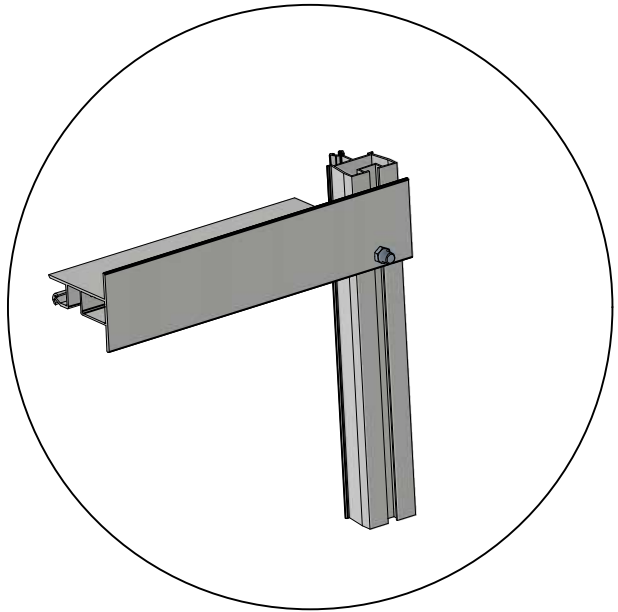
 = M6x12



 = M6x12

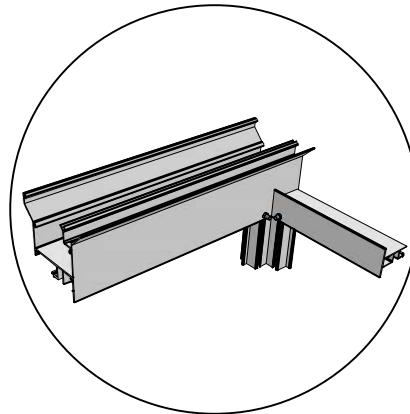
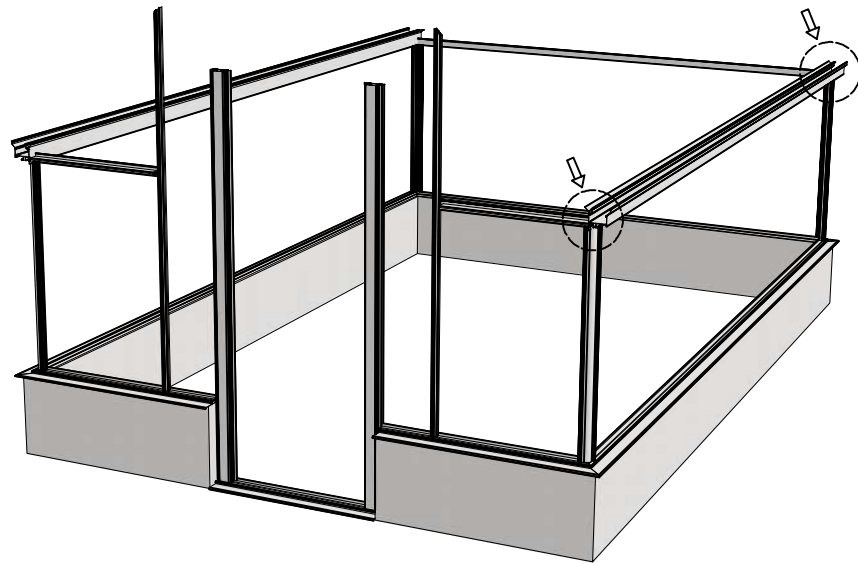
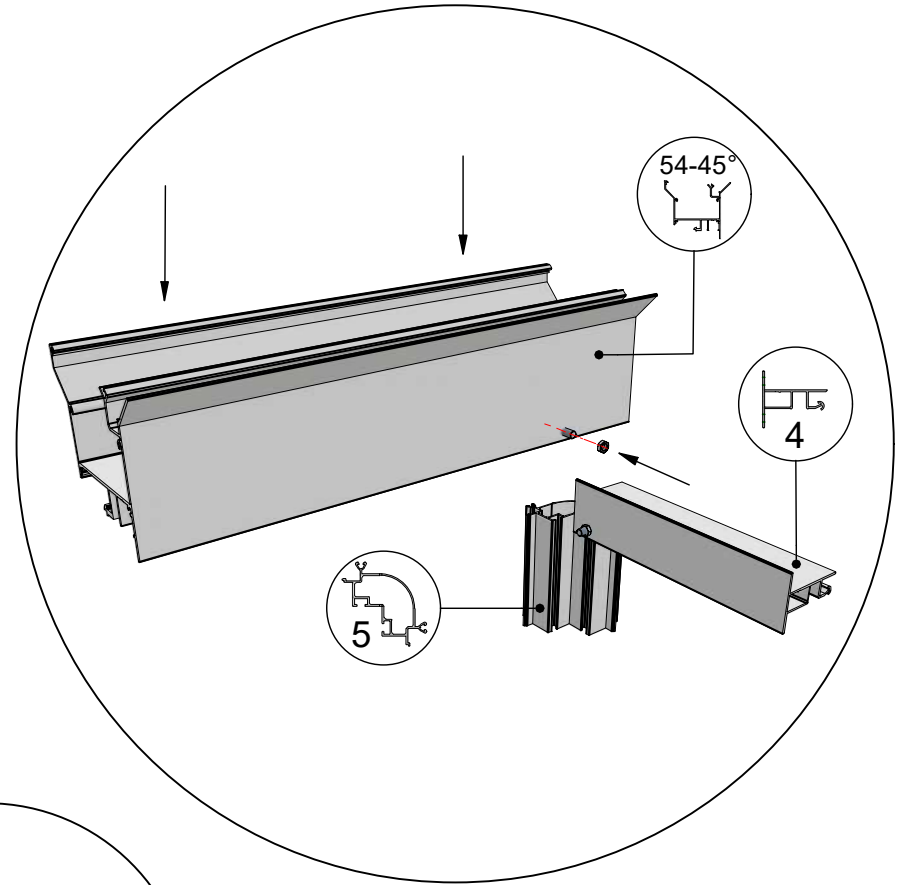
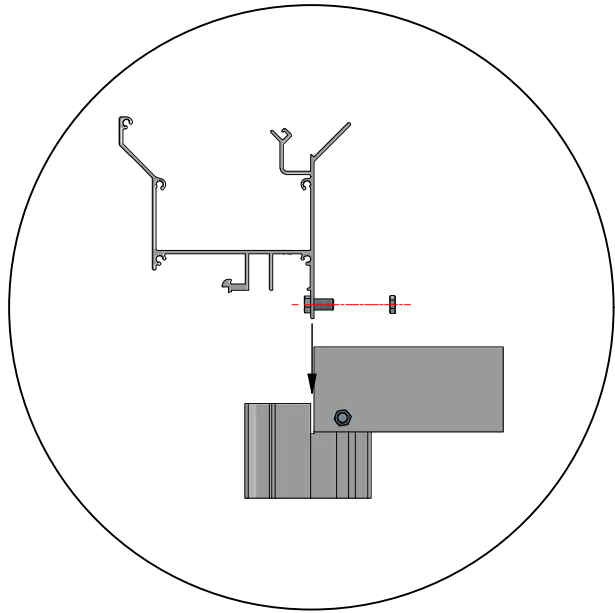


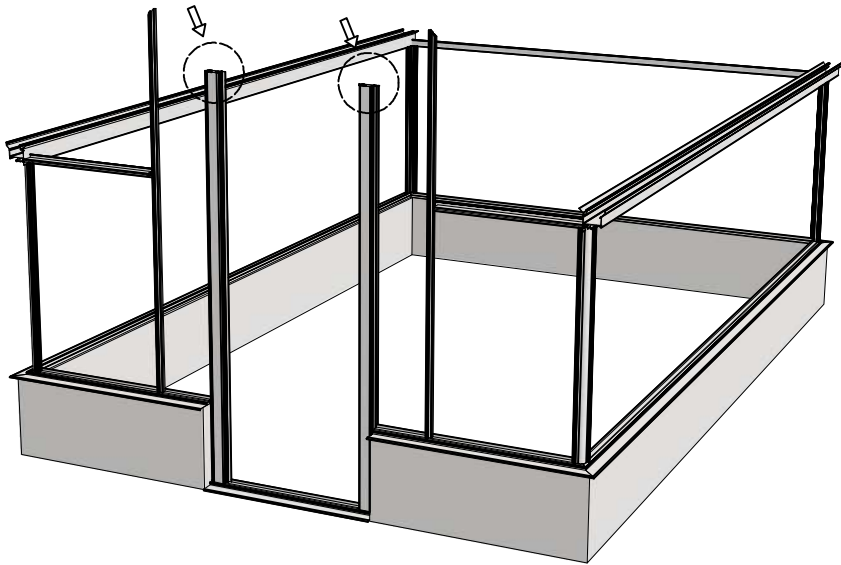
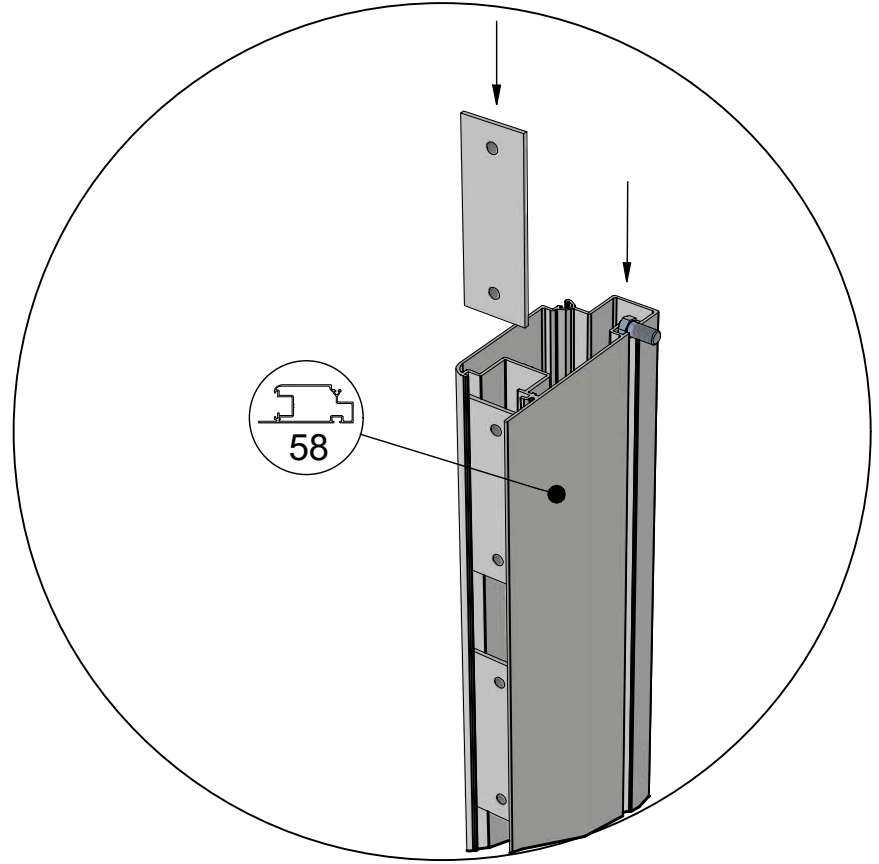
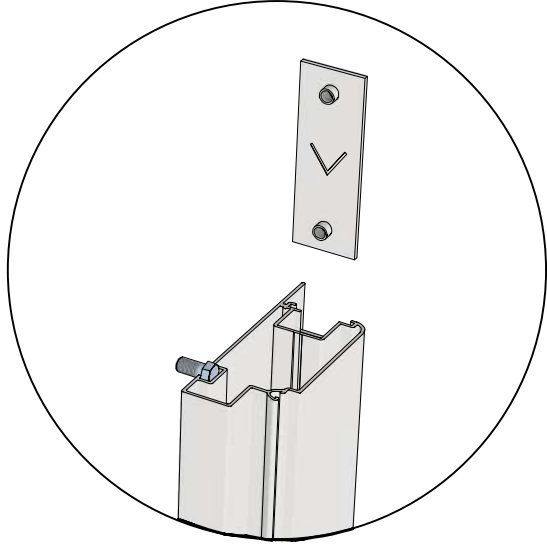
 = M6x12

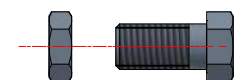


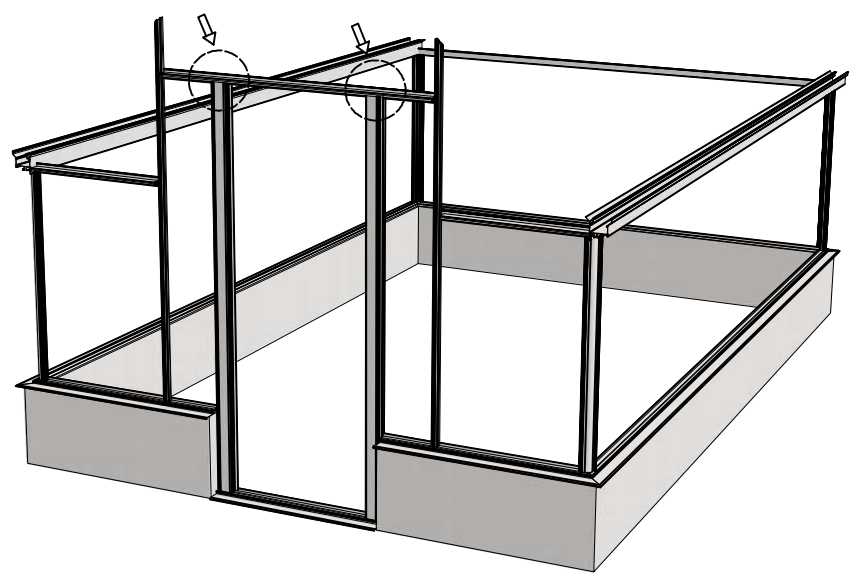
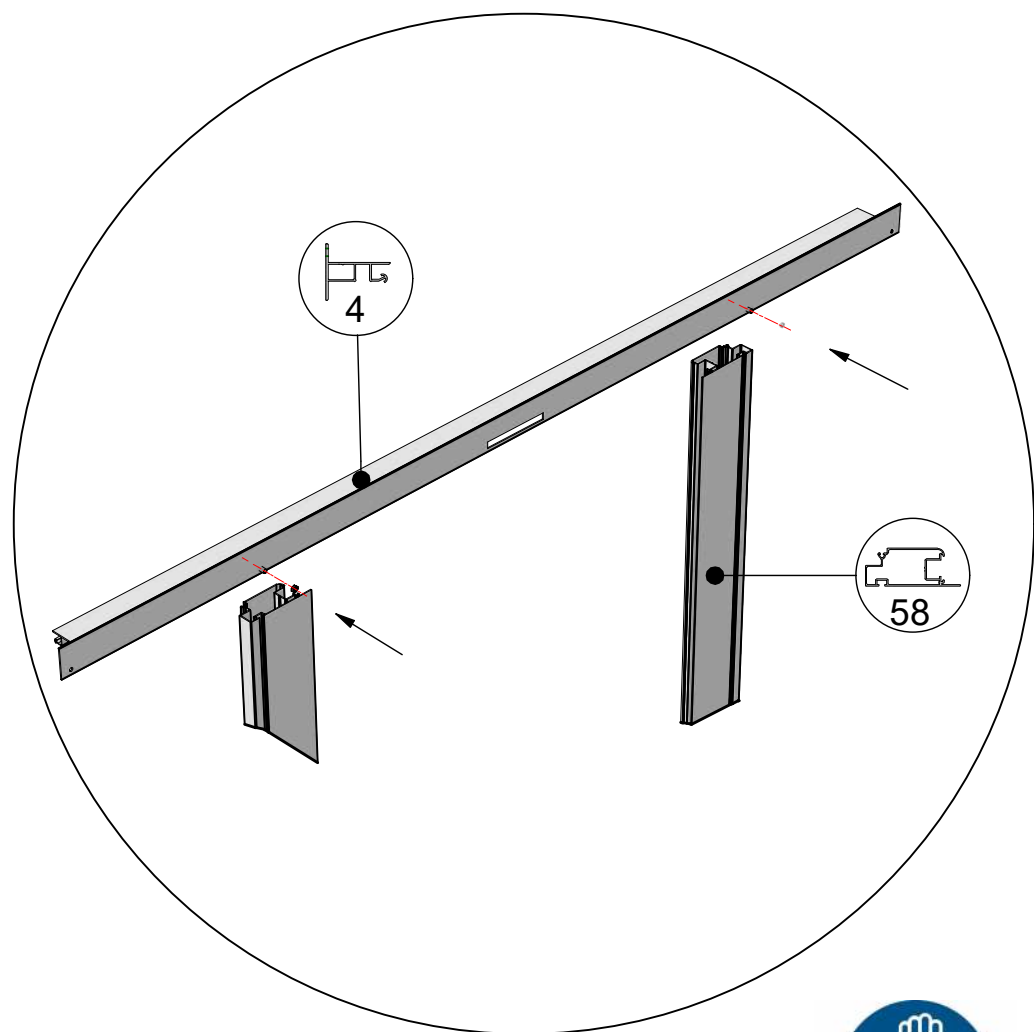
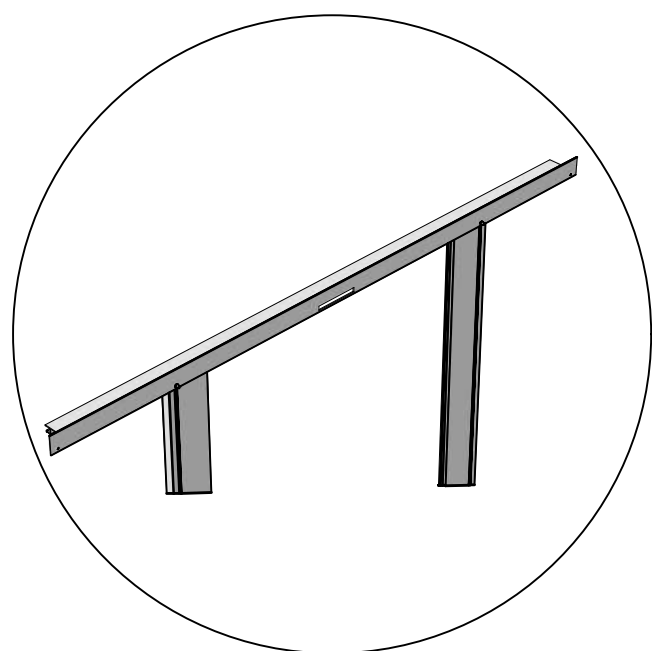
10


 = M6x12 (4x)

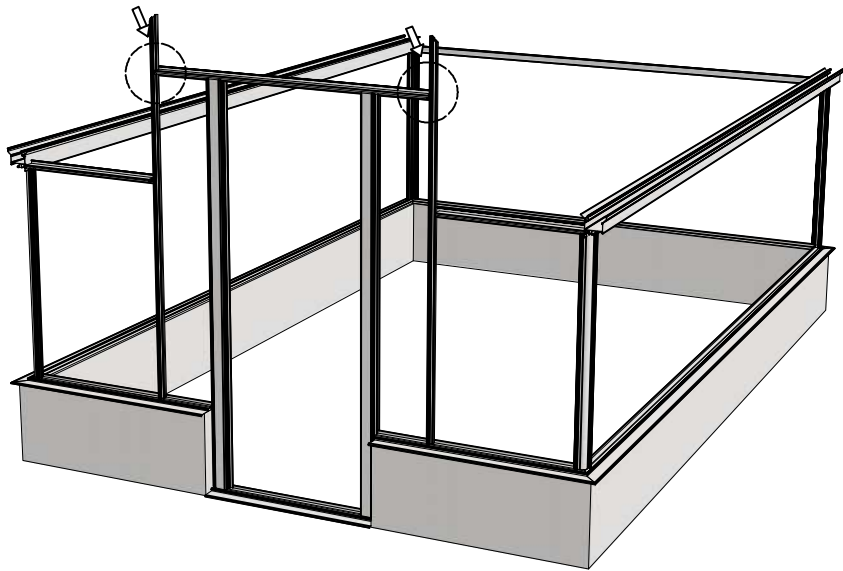
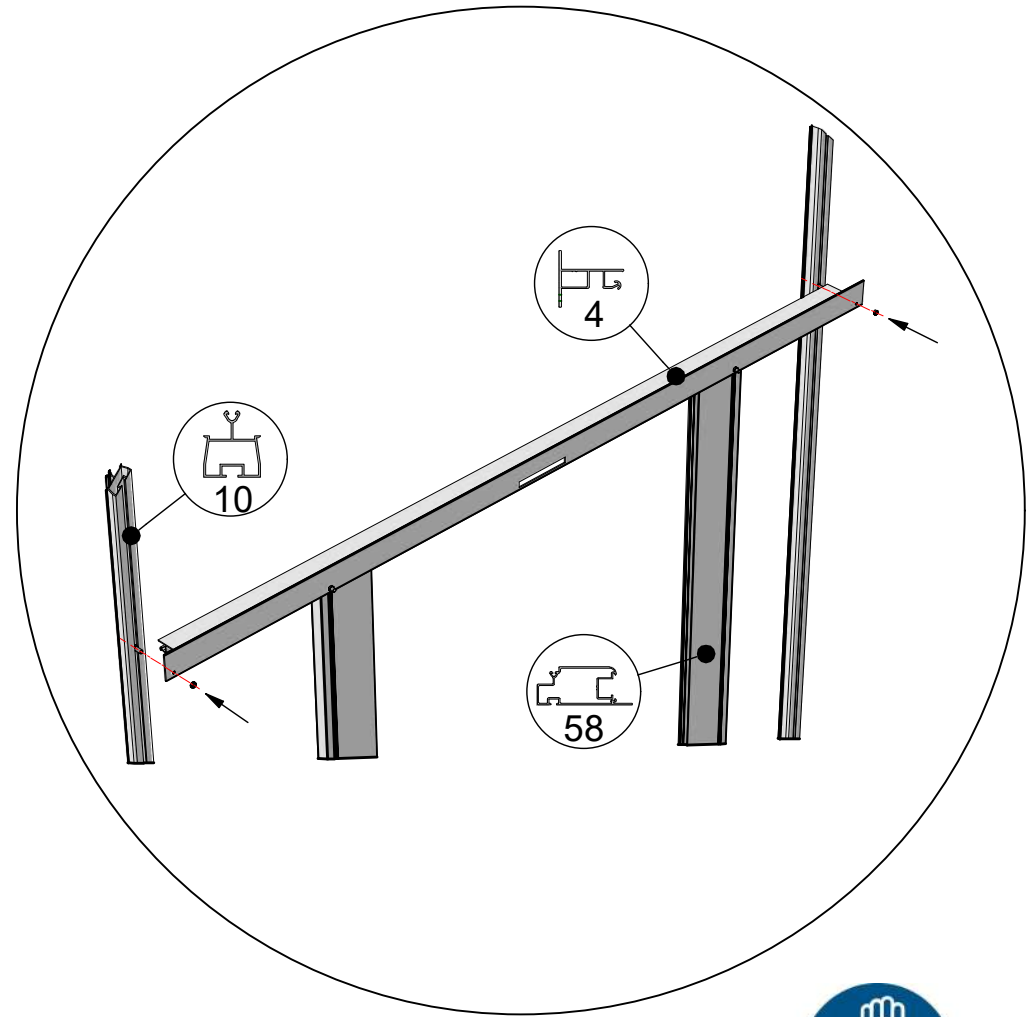
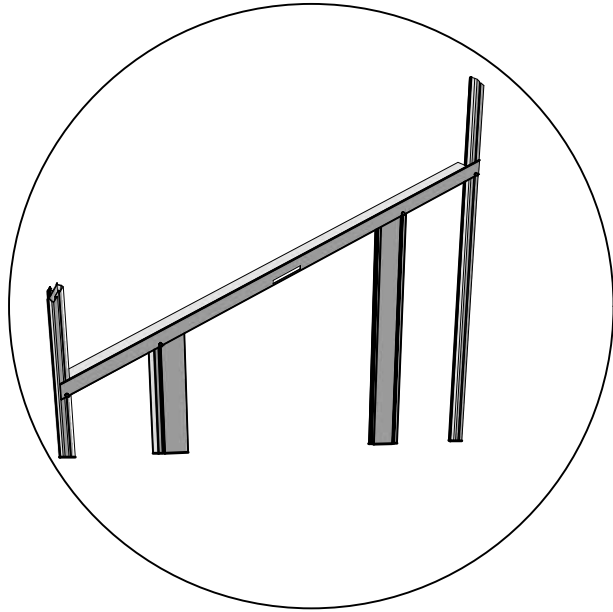





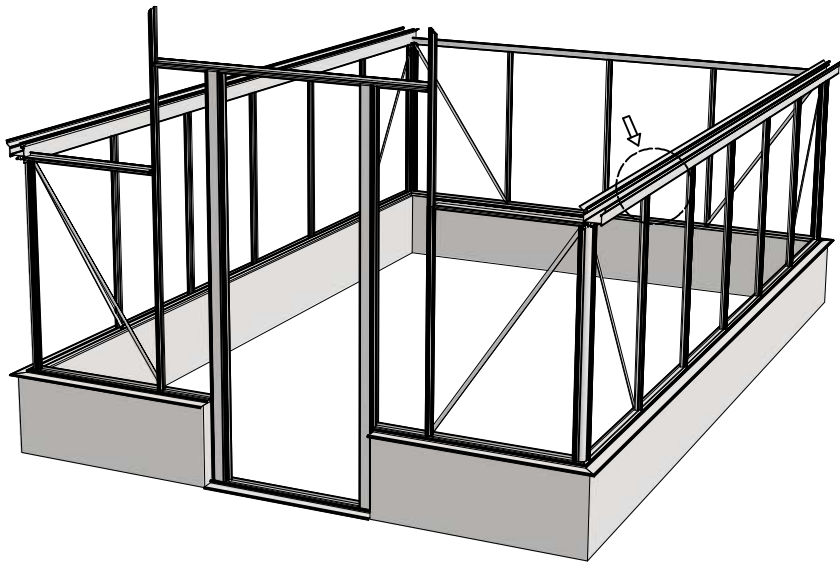
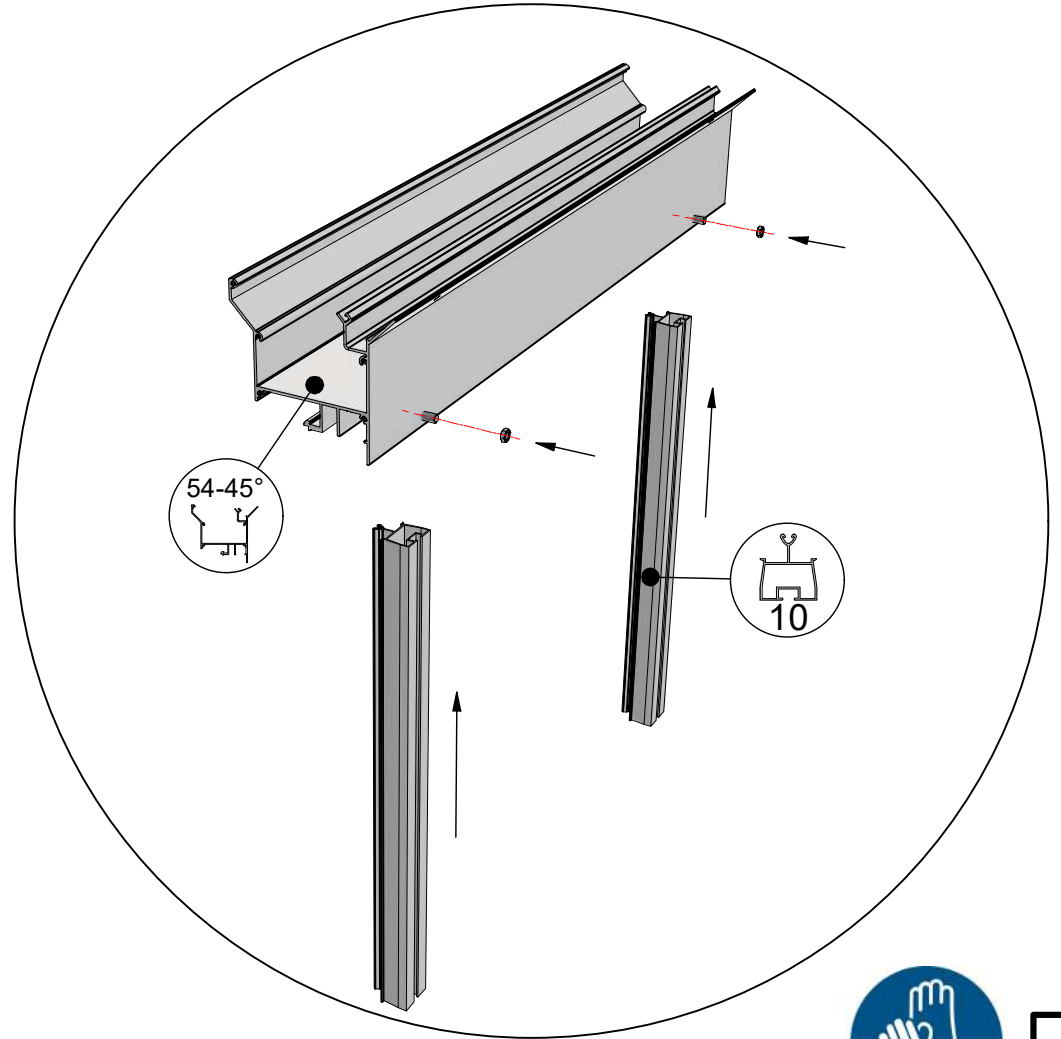
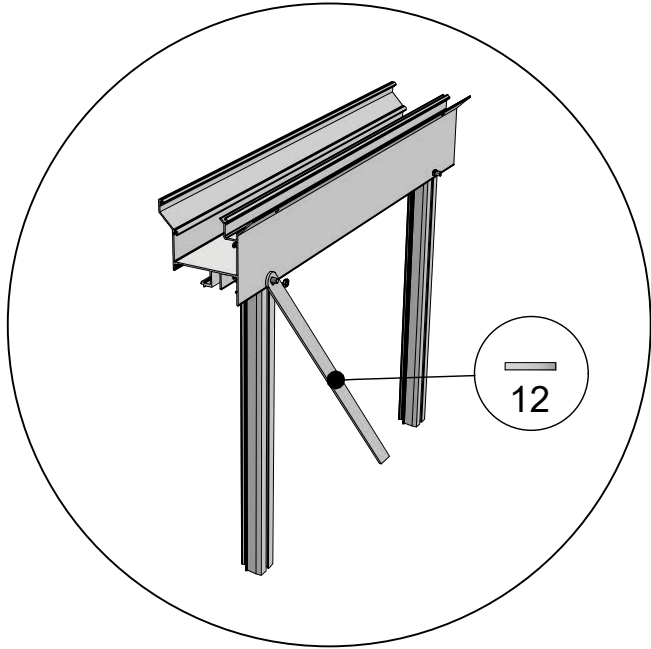
 = M6x12



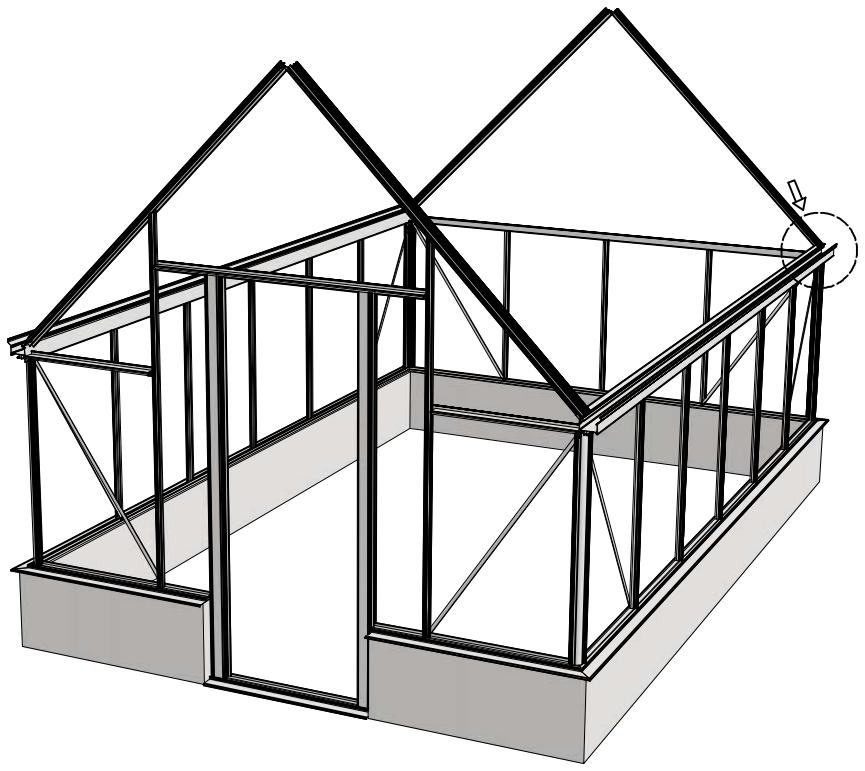
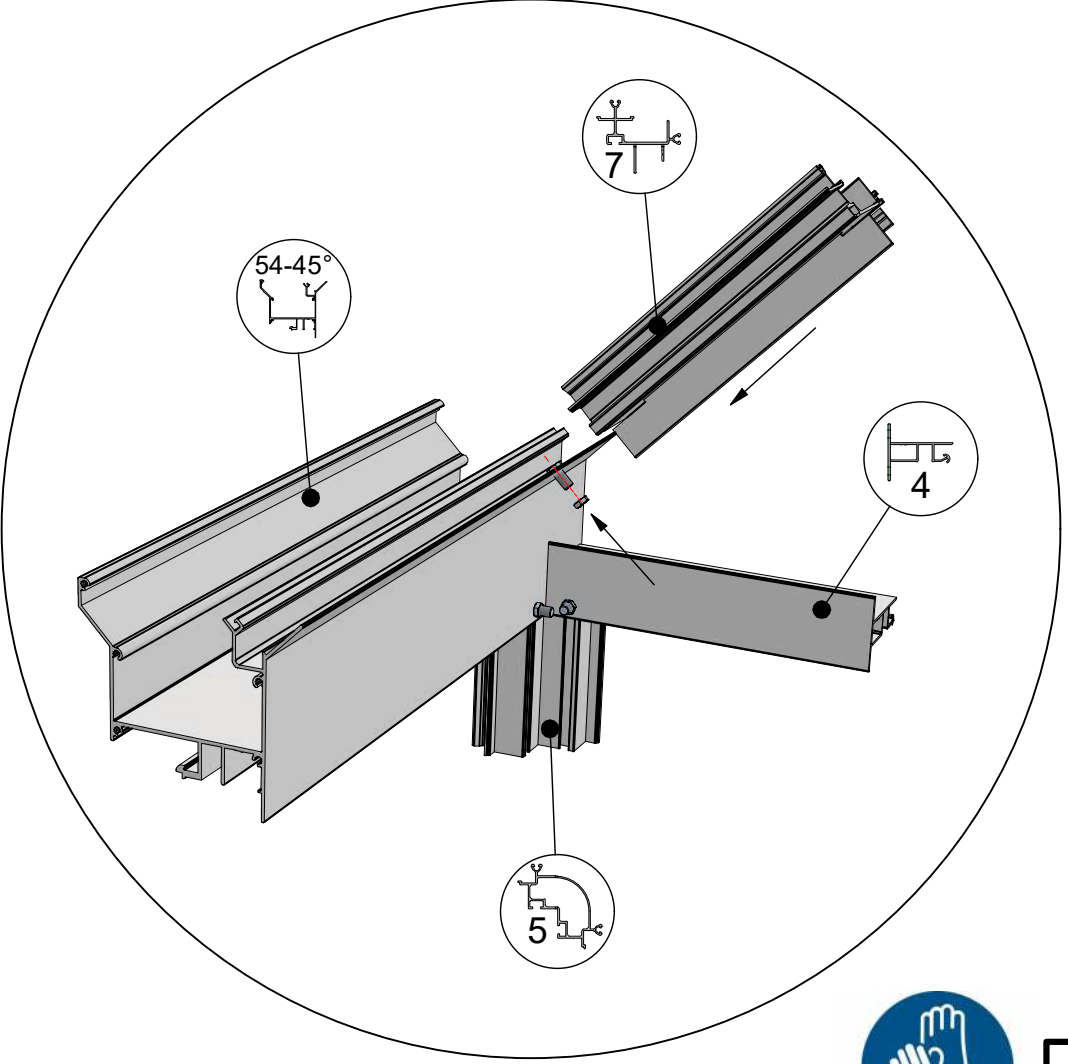
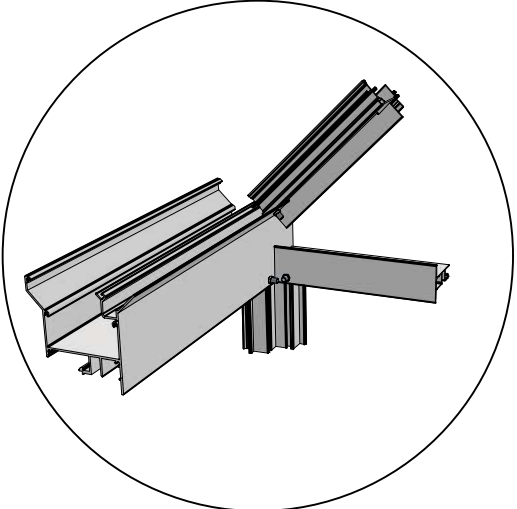
 = M6x12



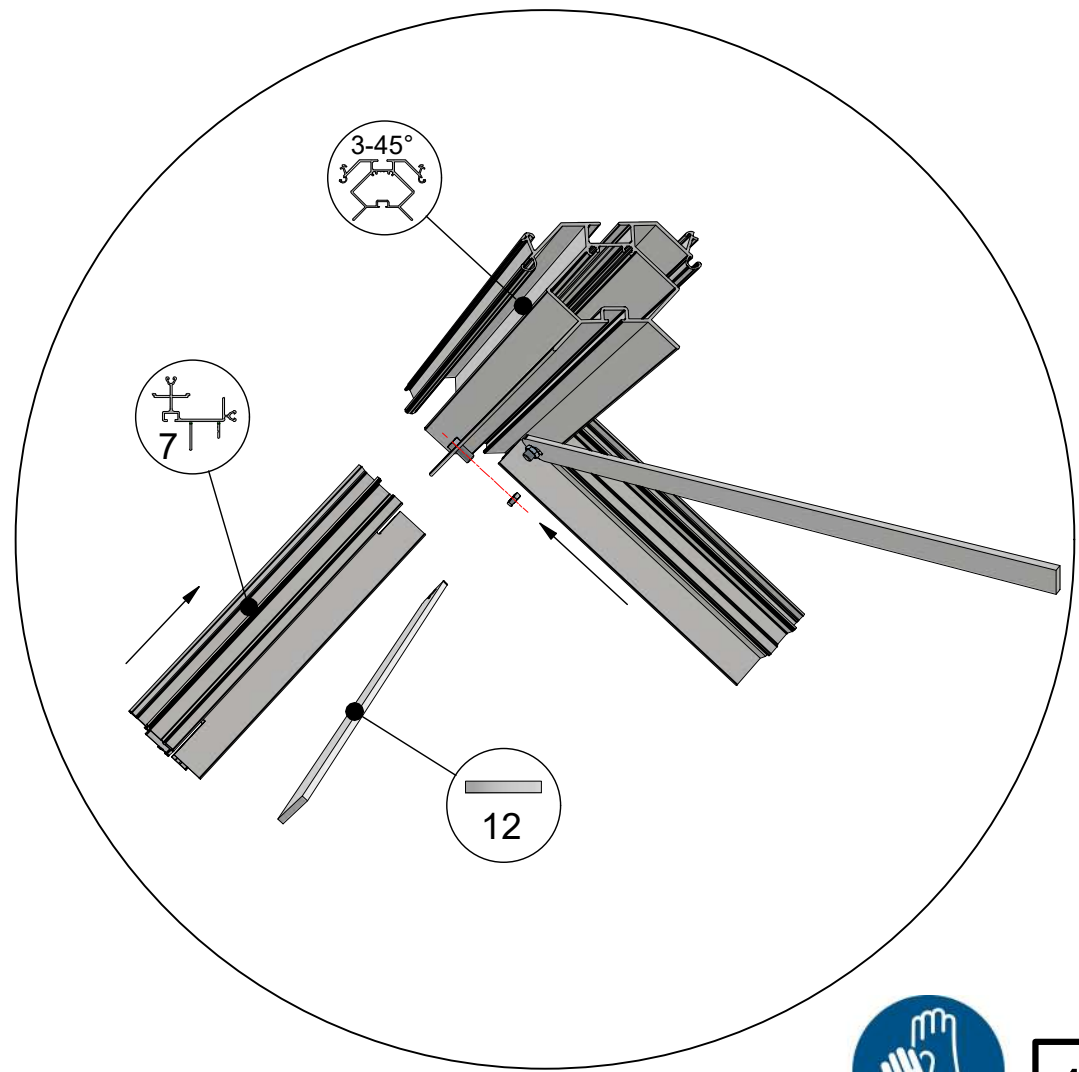
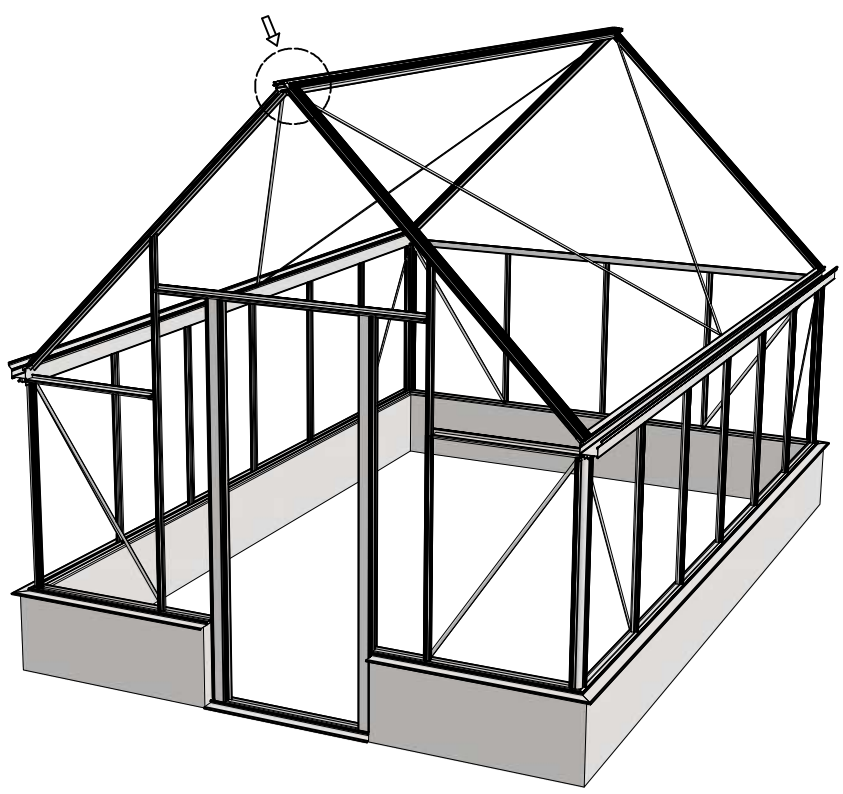
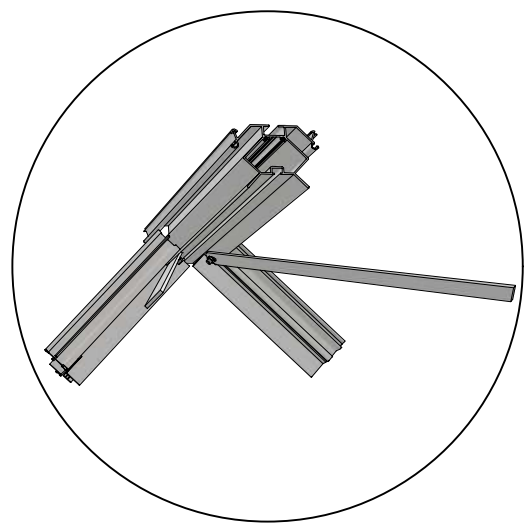
 = M6x12

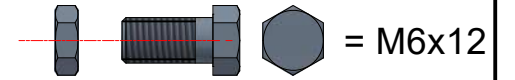


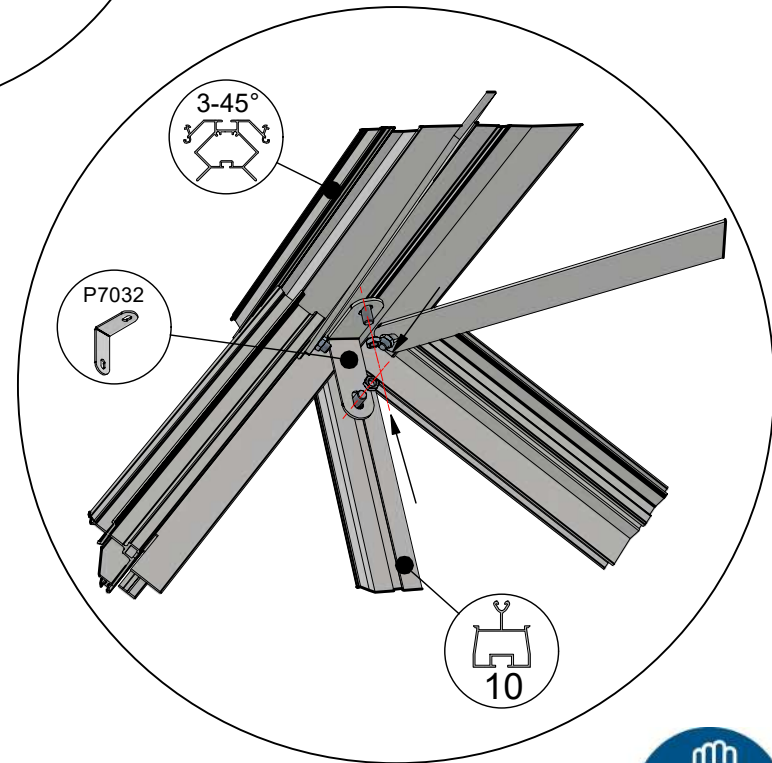
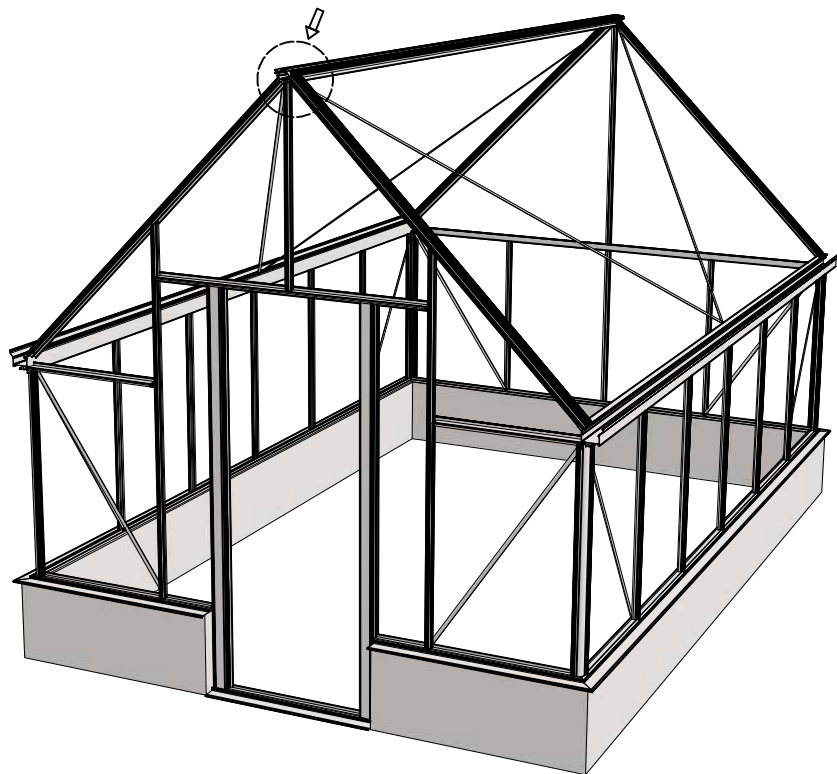
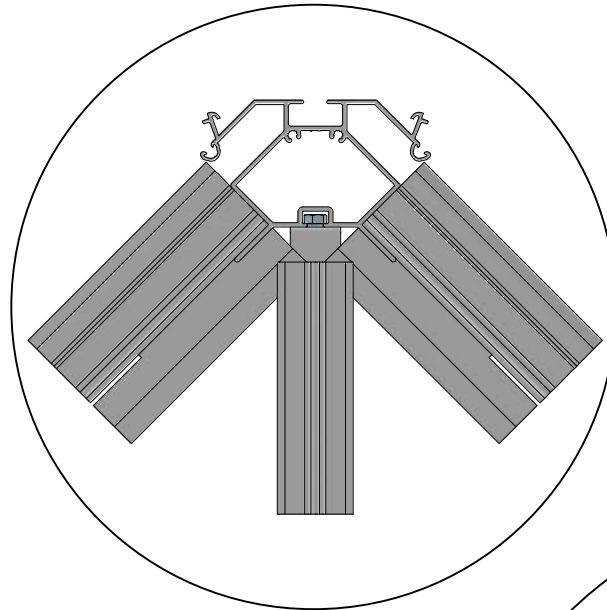
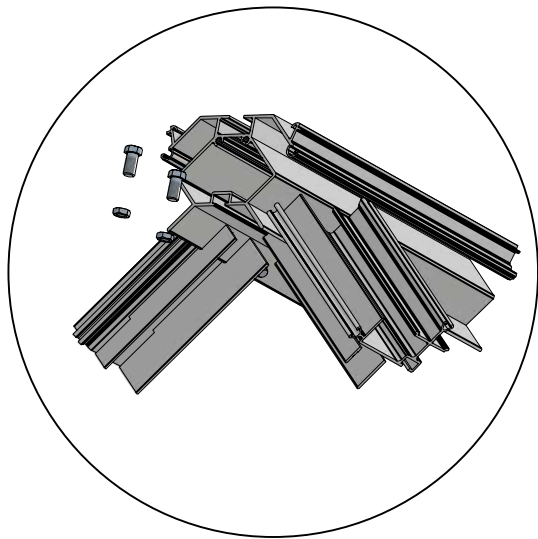
 = M6x12

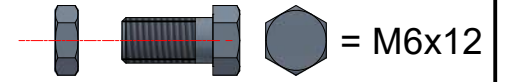


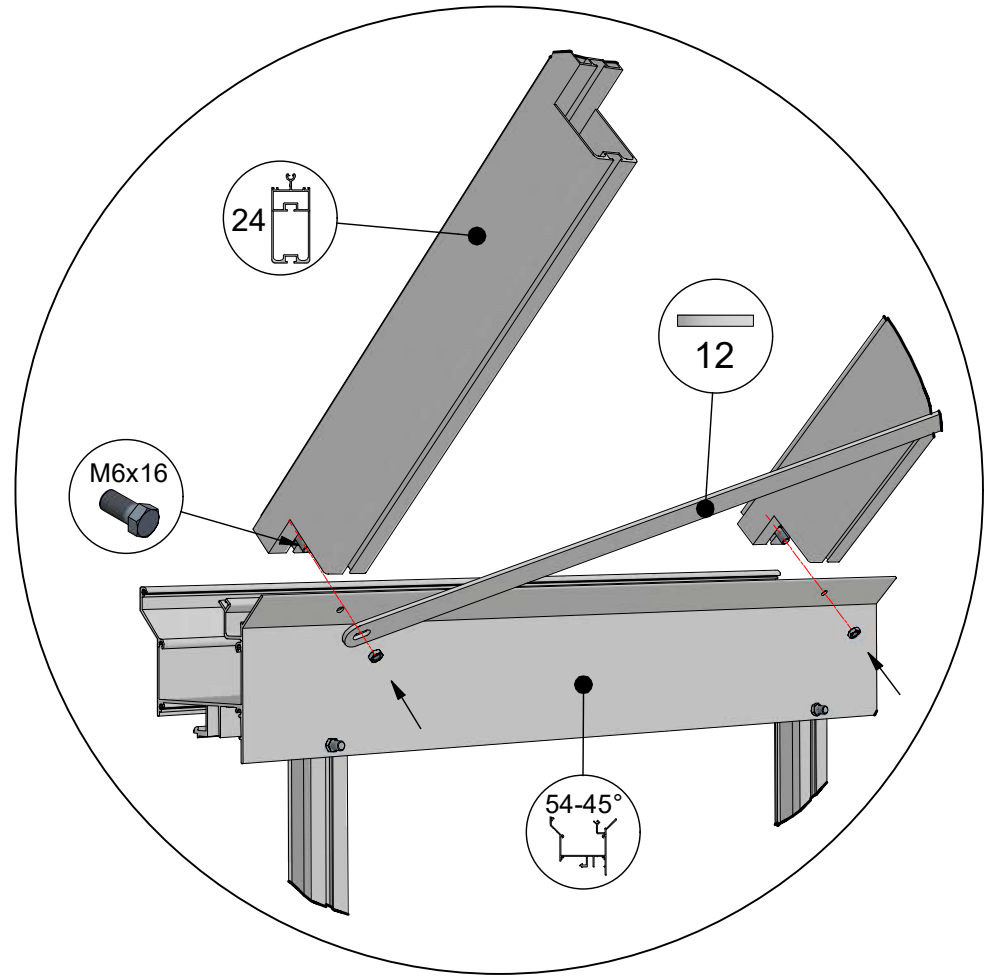
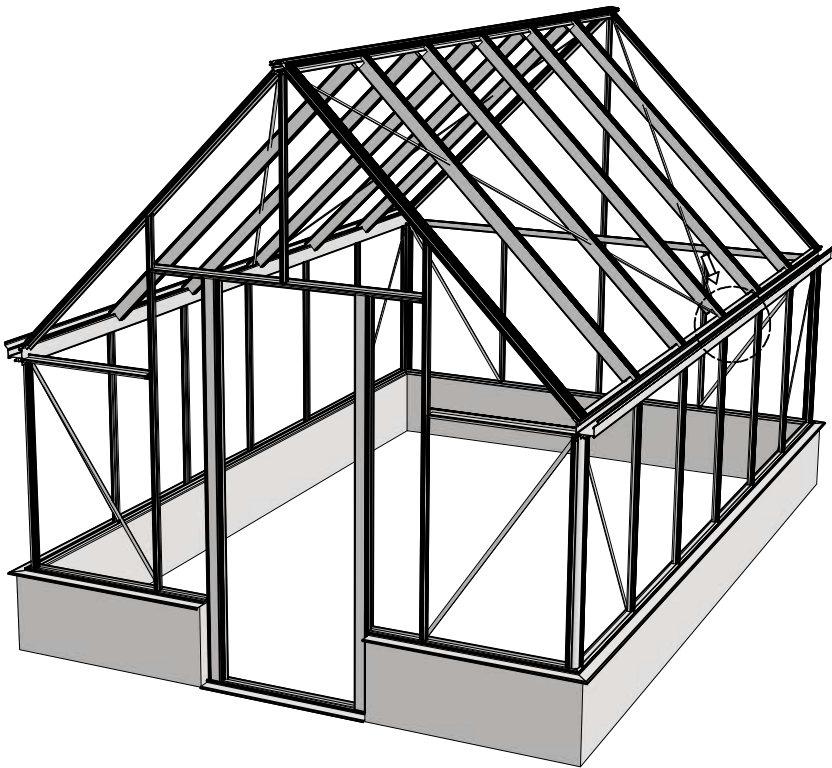
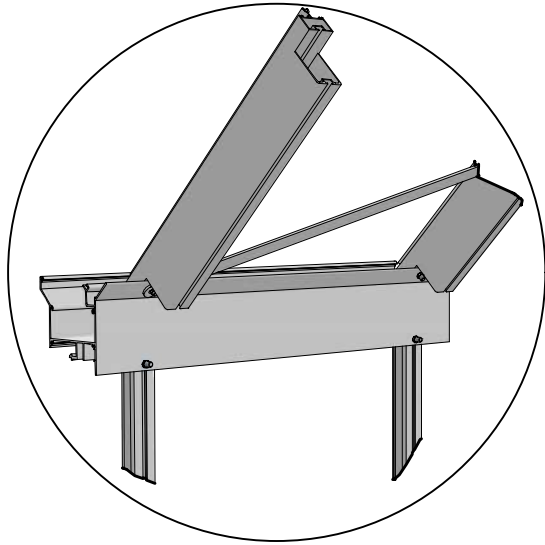
 = M6x12

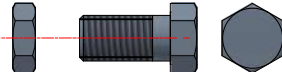


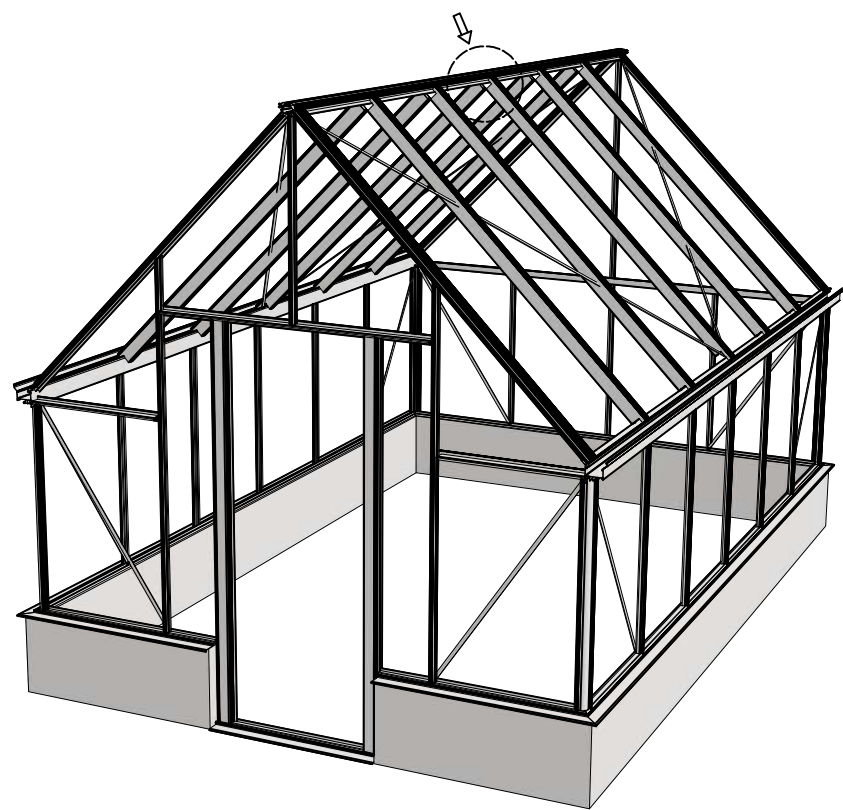
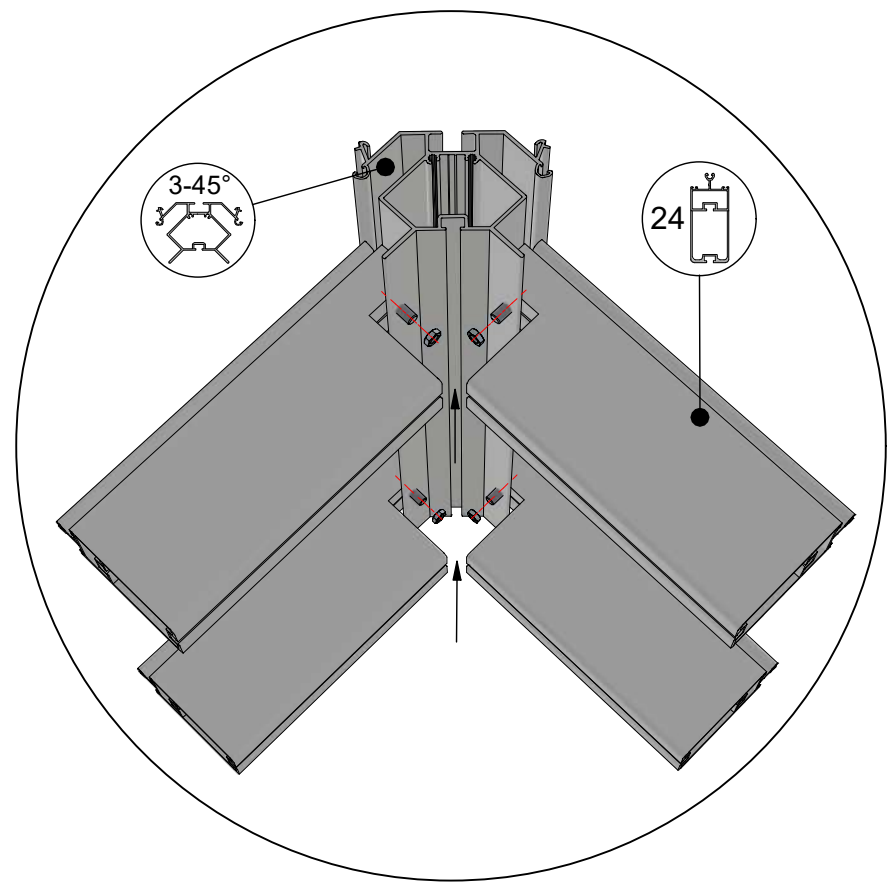
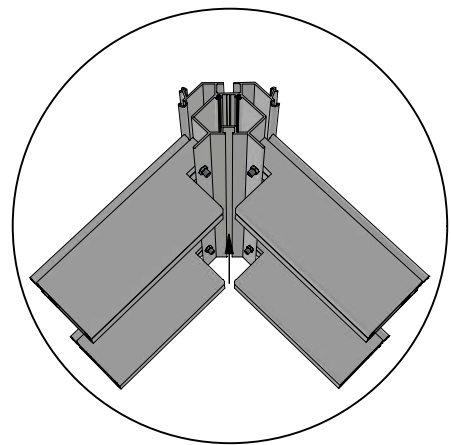
 = M6x12




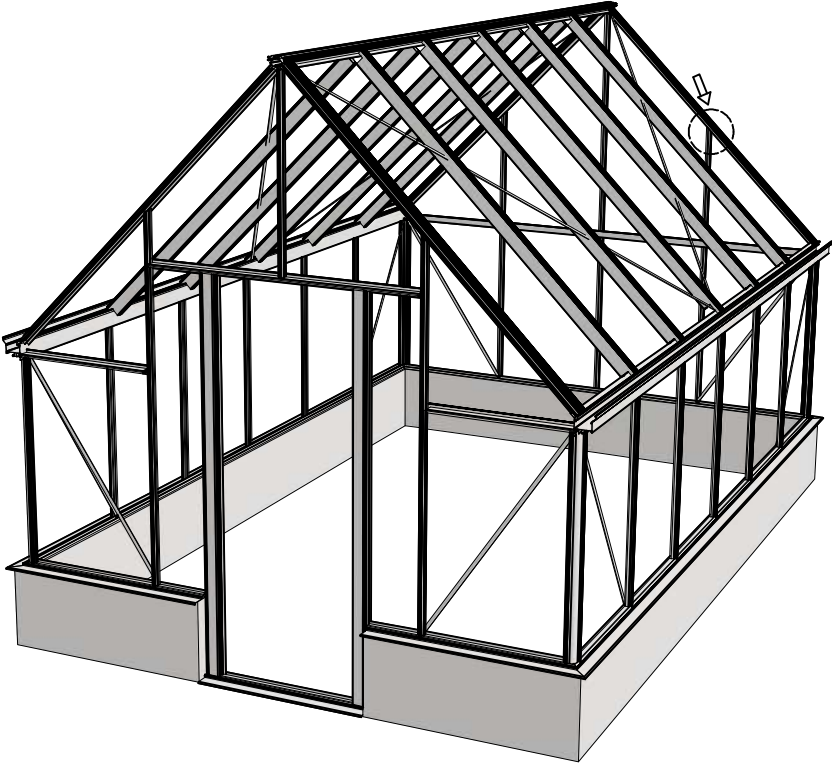
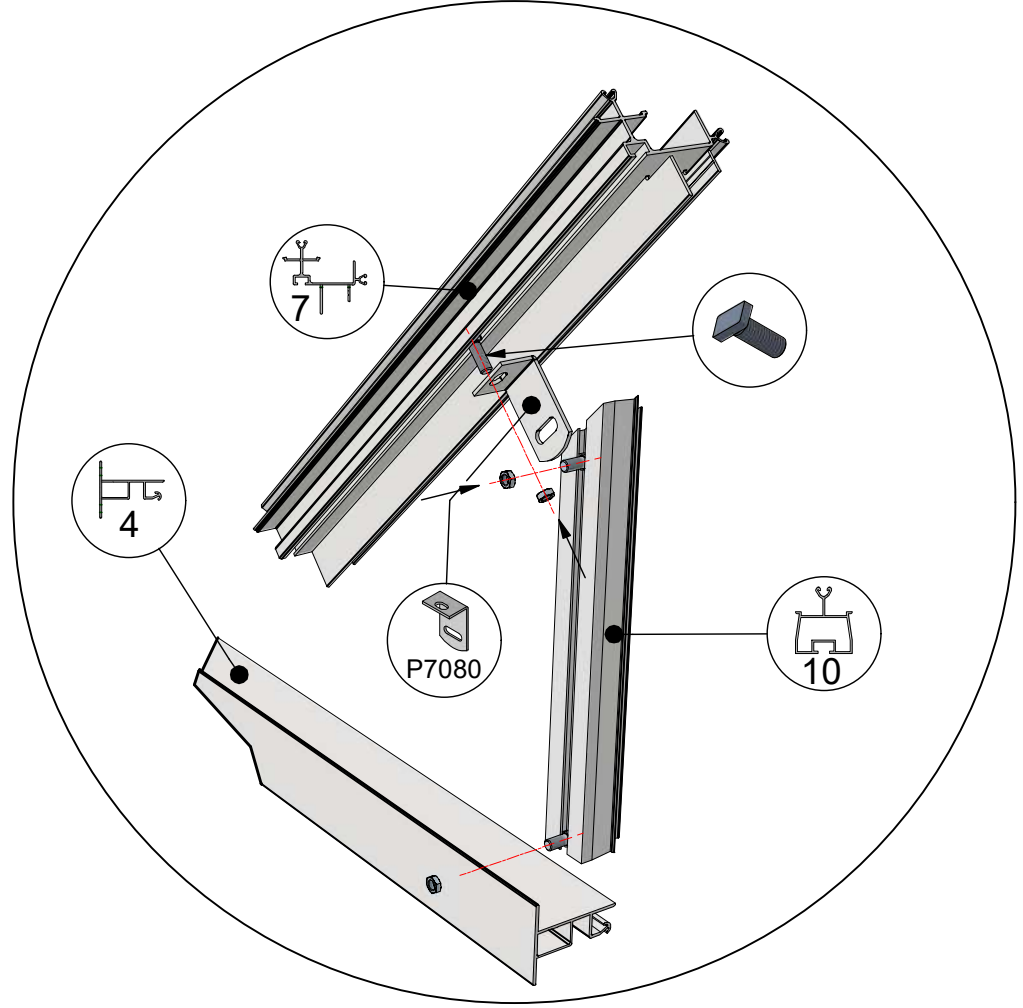
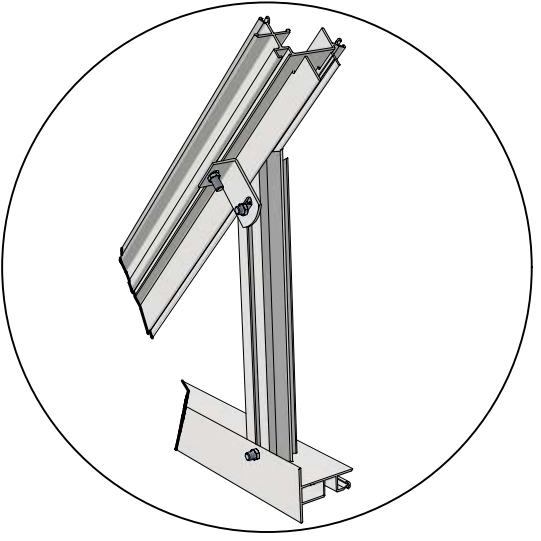
 = M6x12




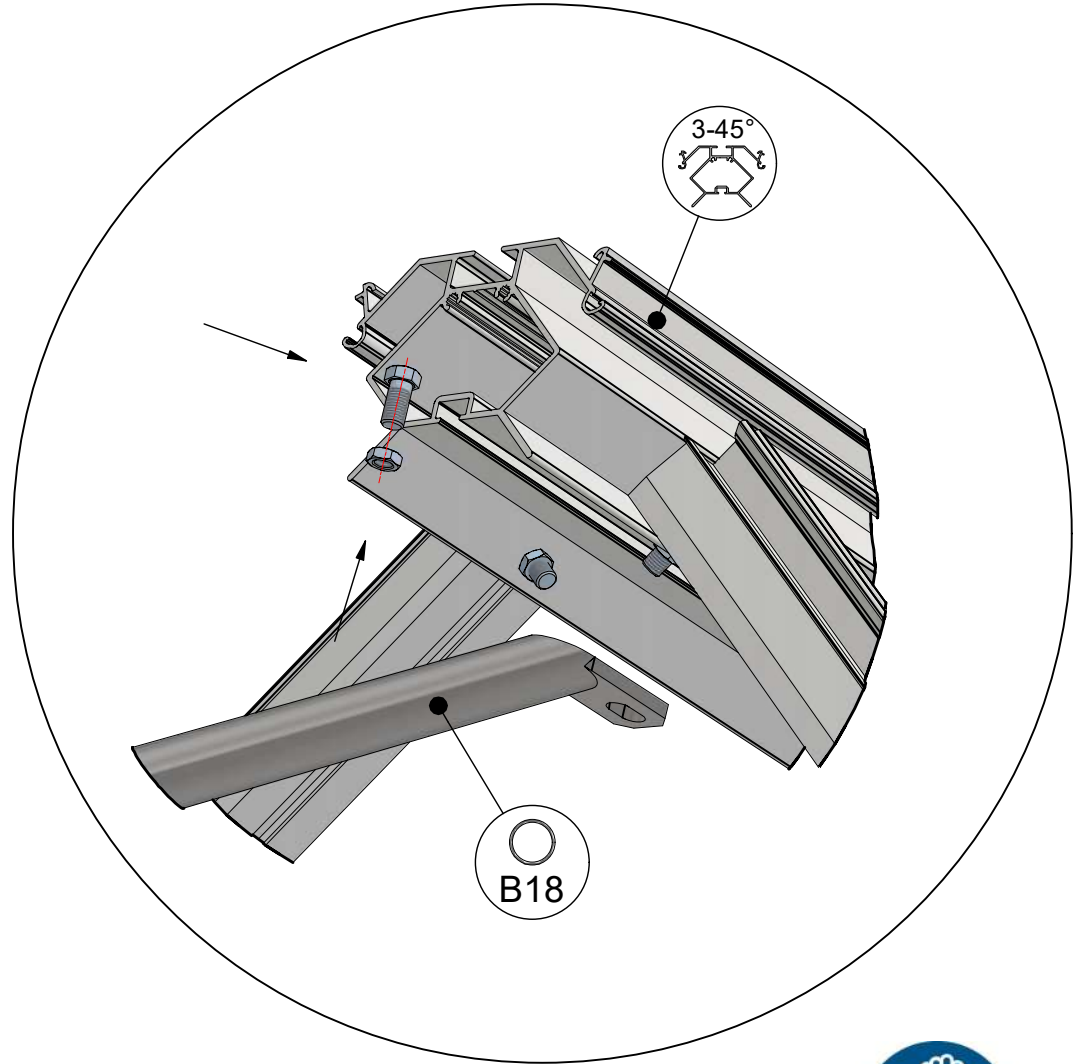
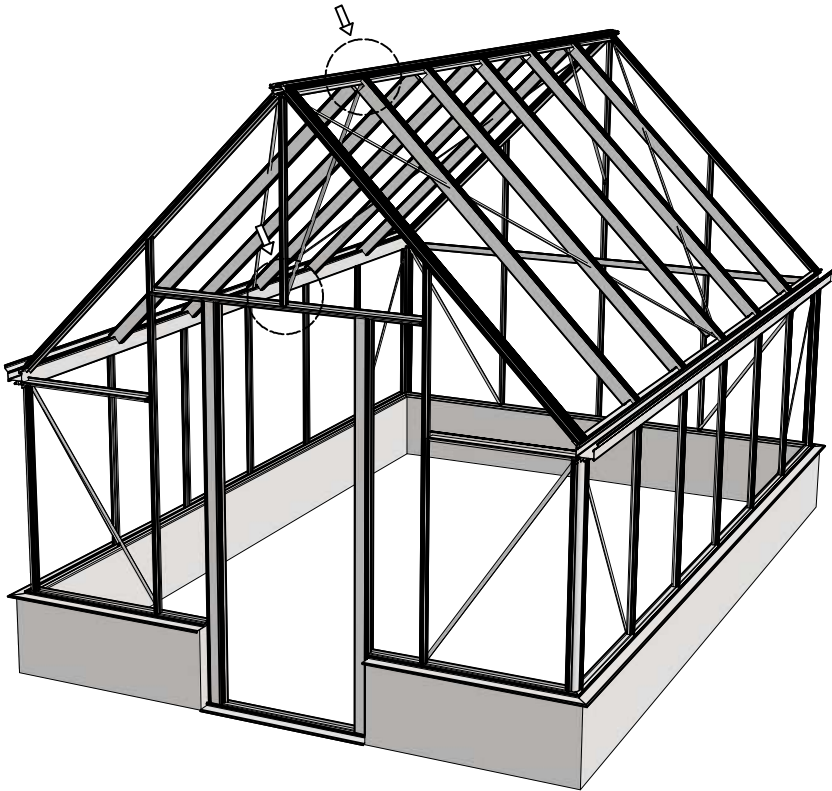
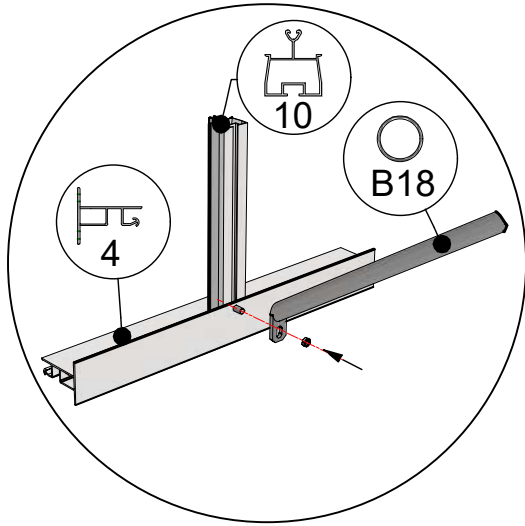
 = M6x12



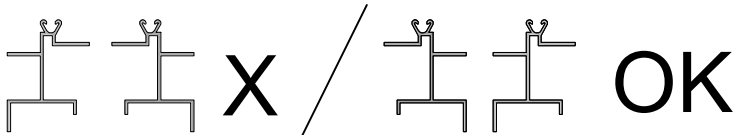
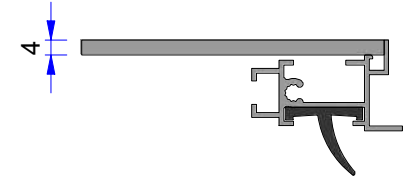
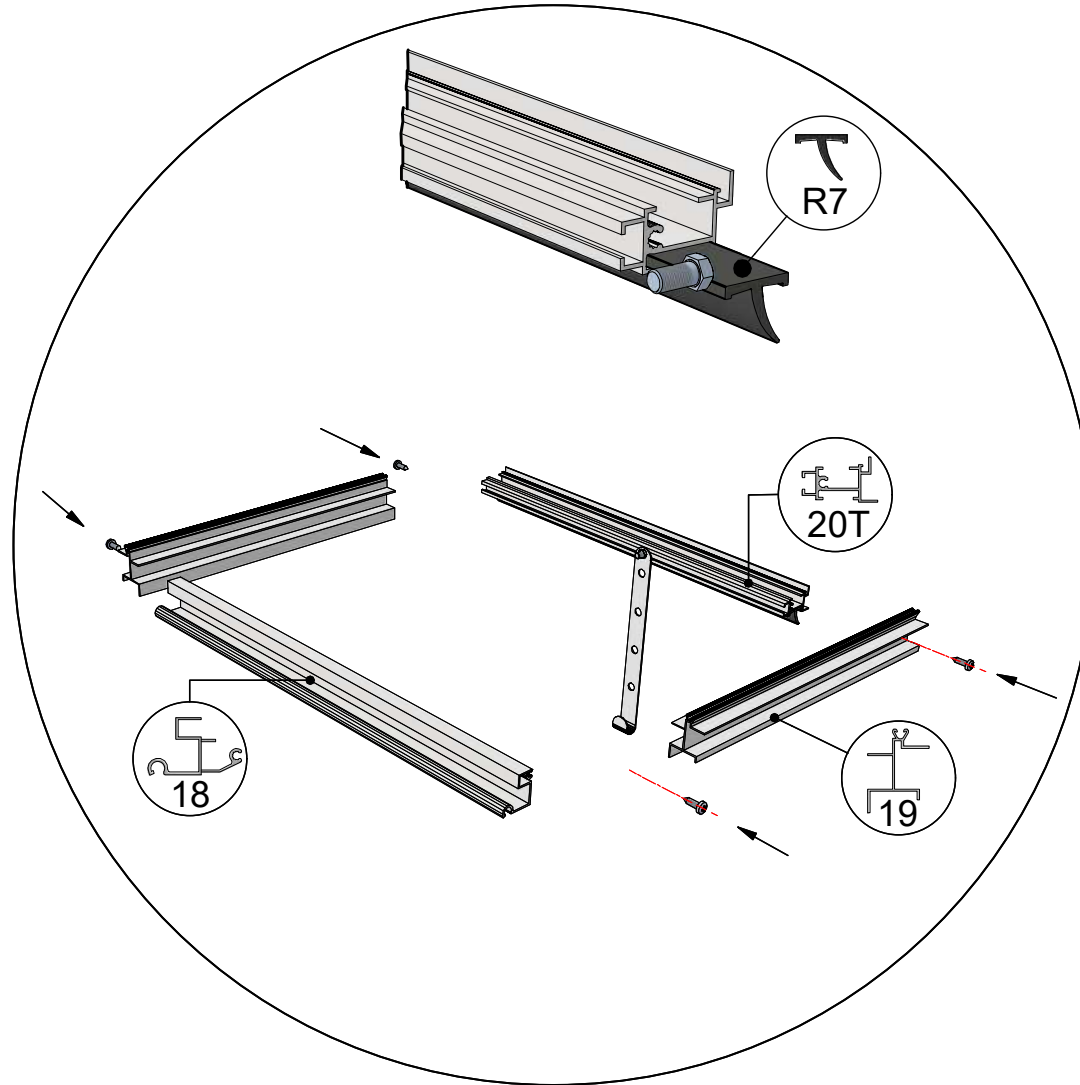
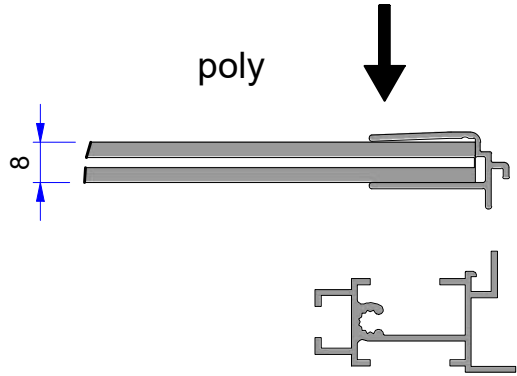
 = M6x16

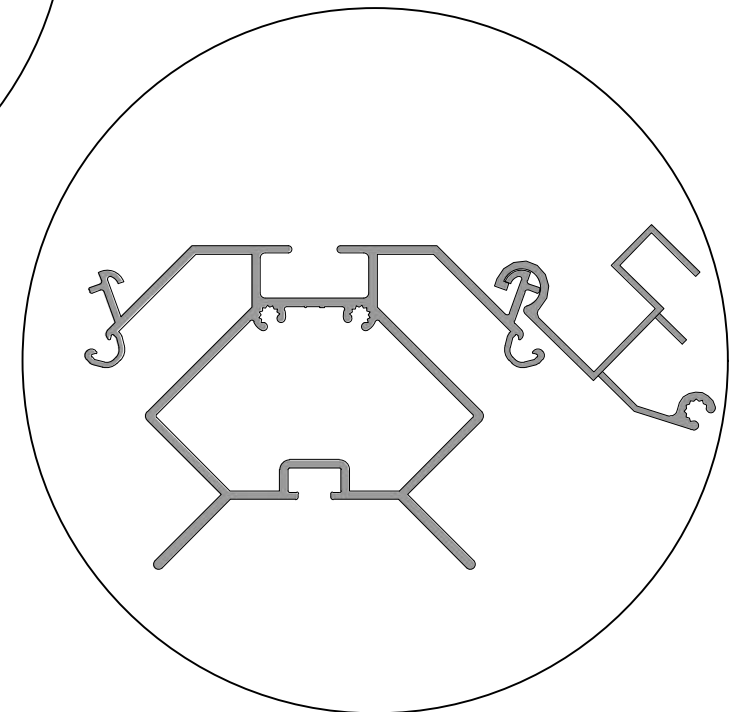
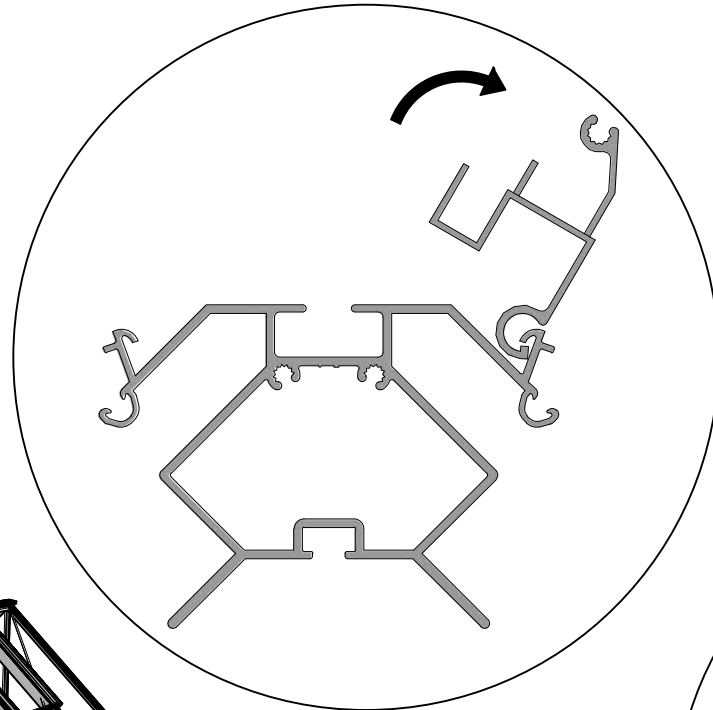
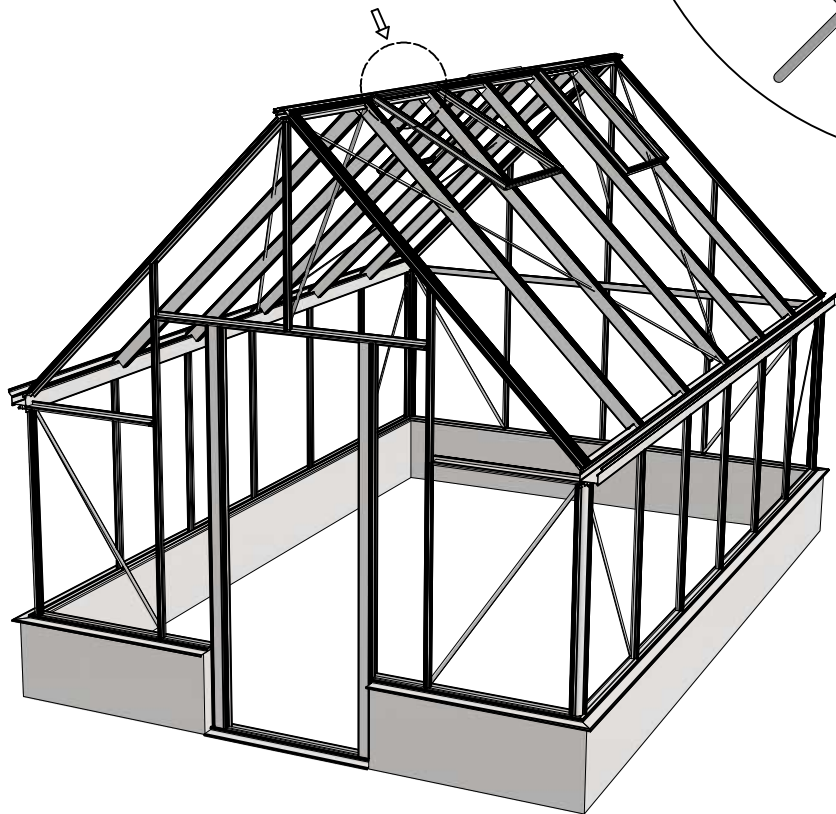


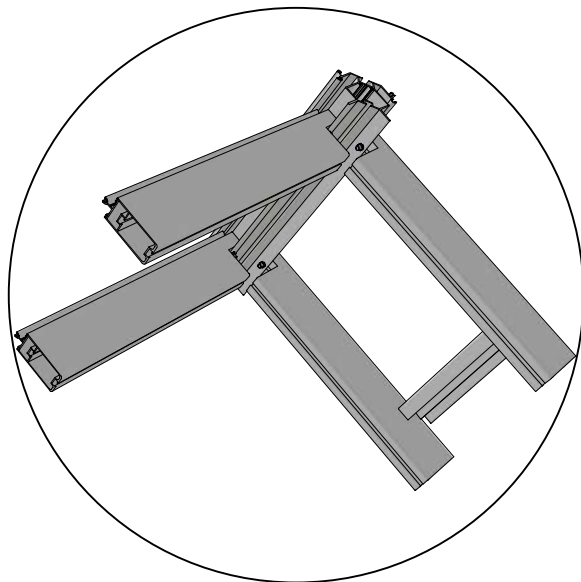
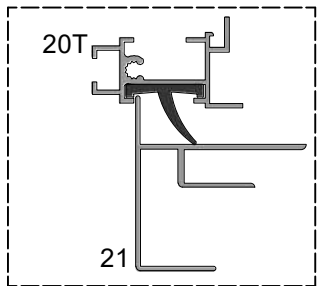
 = M6x12



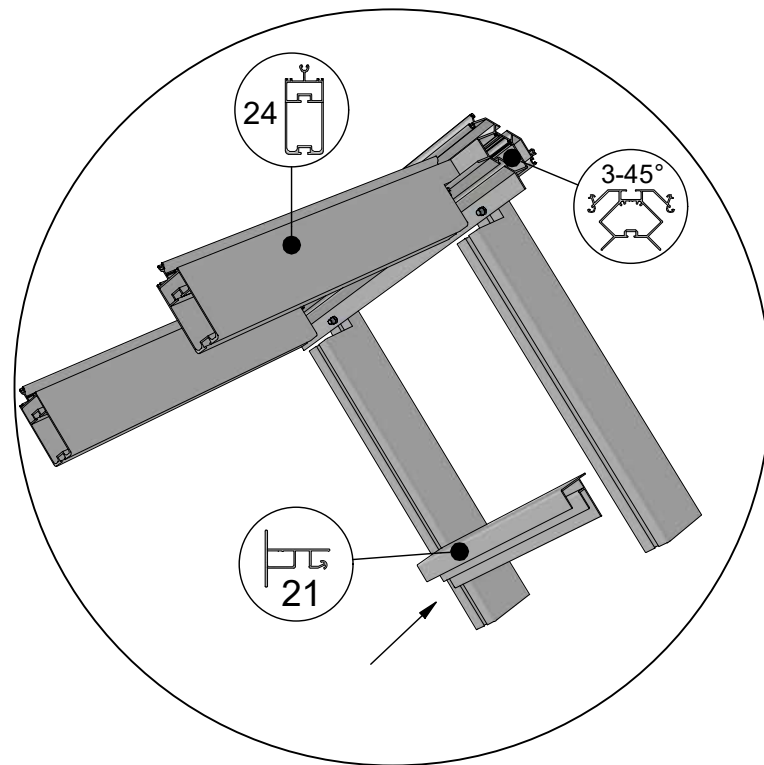
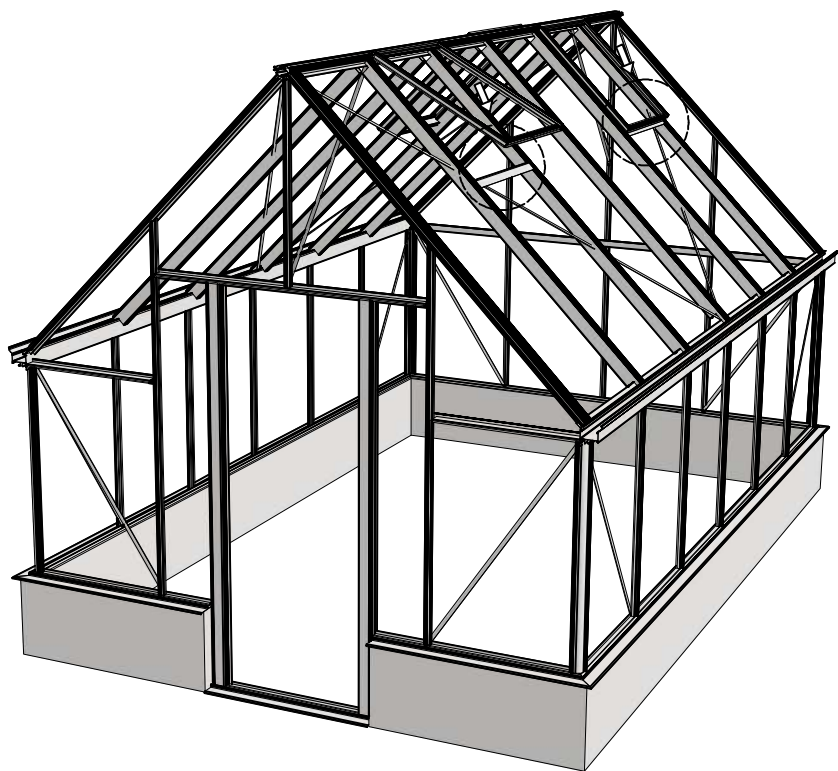
 = 4,8x16

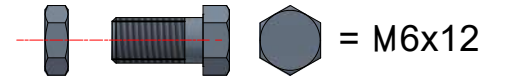
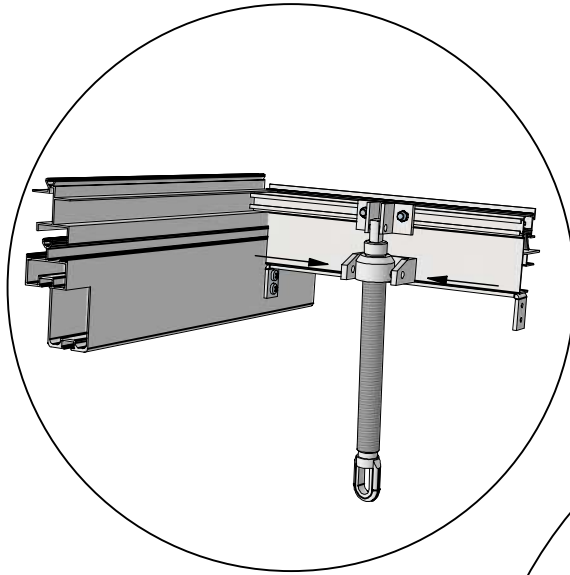
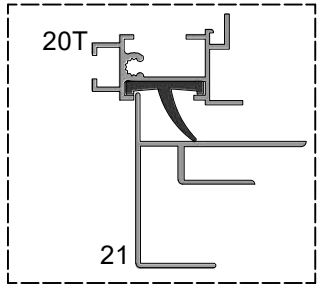






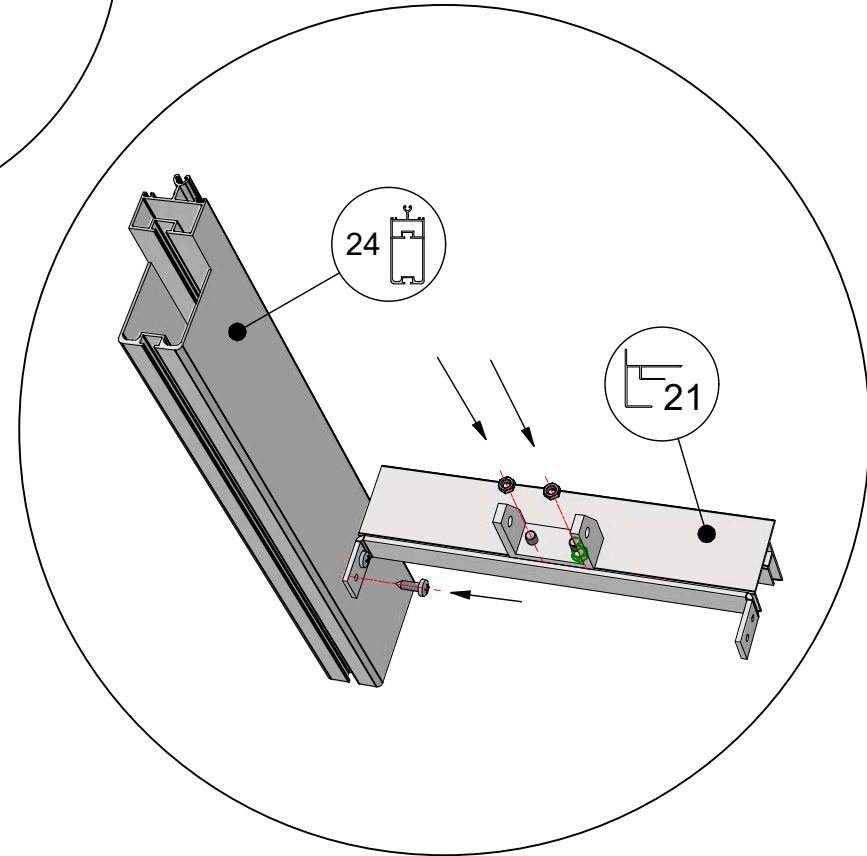
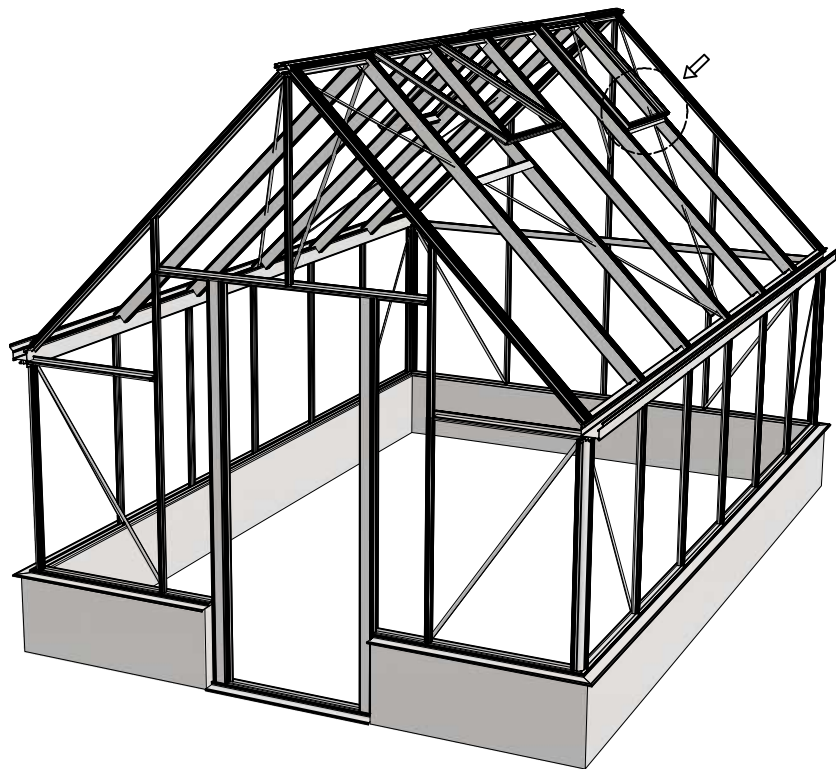
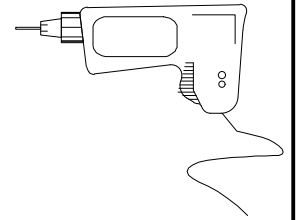
 = M6x12



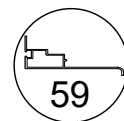
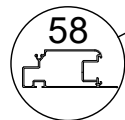
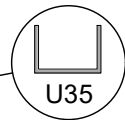
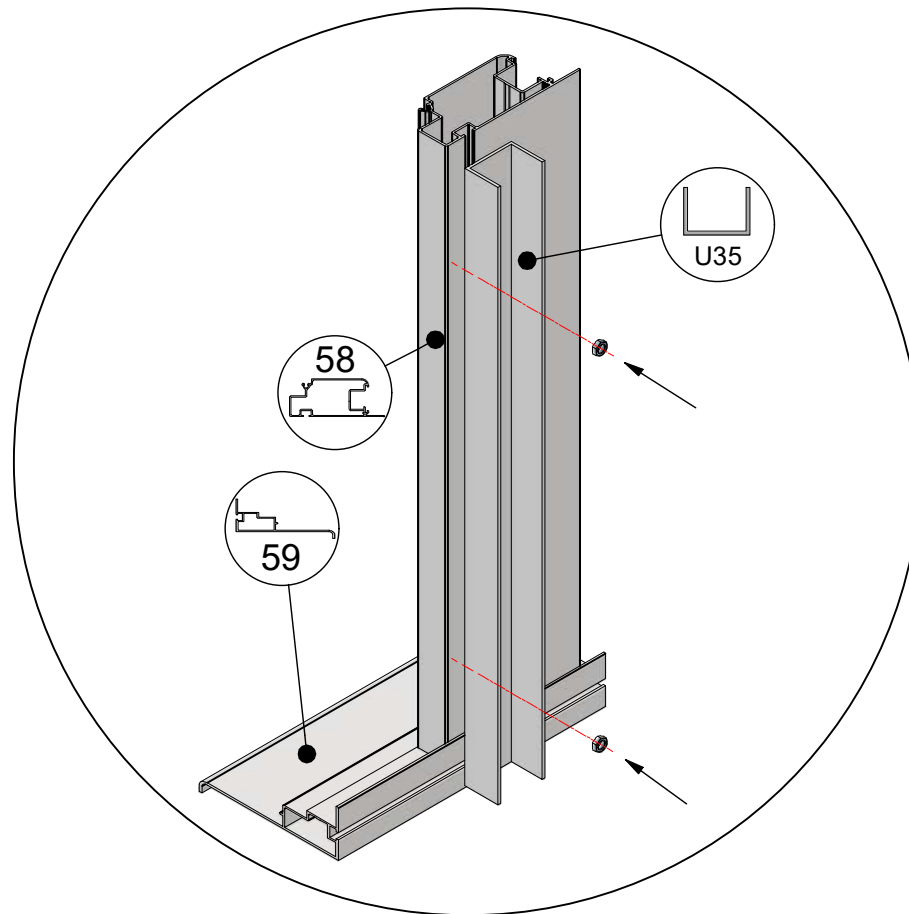
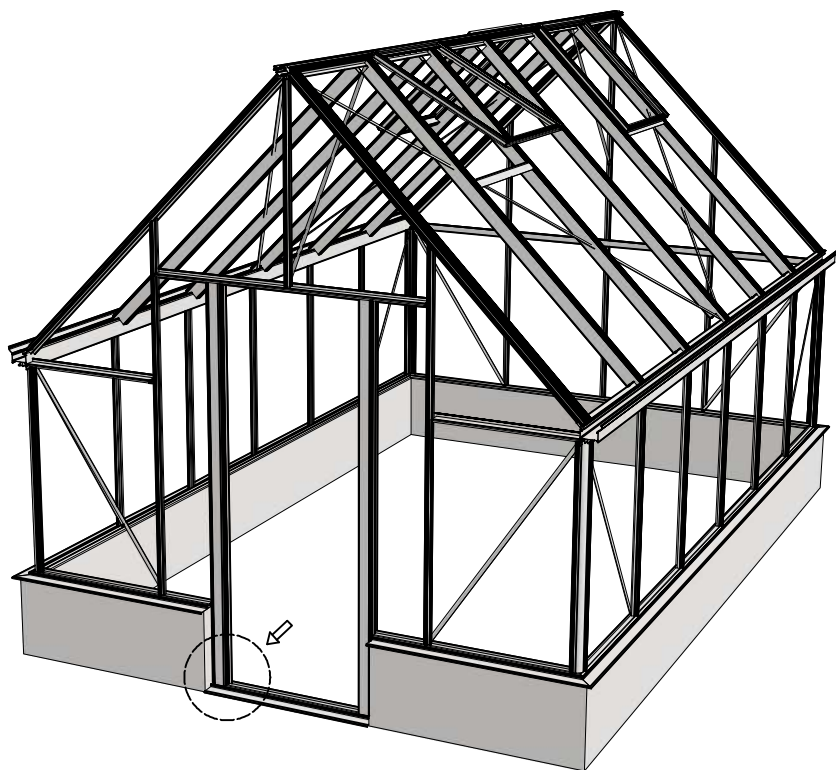
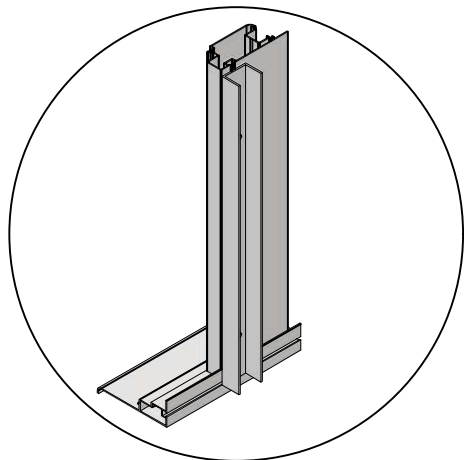


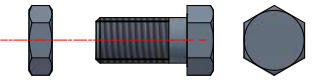
$\varnothing = 6,5\text{mm}$

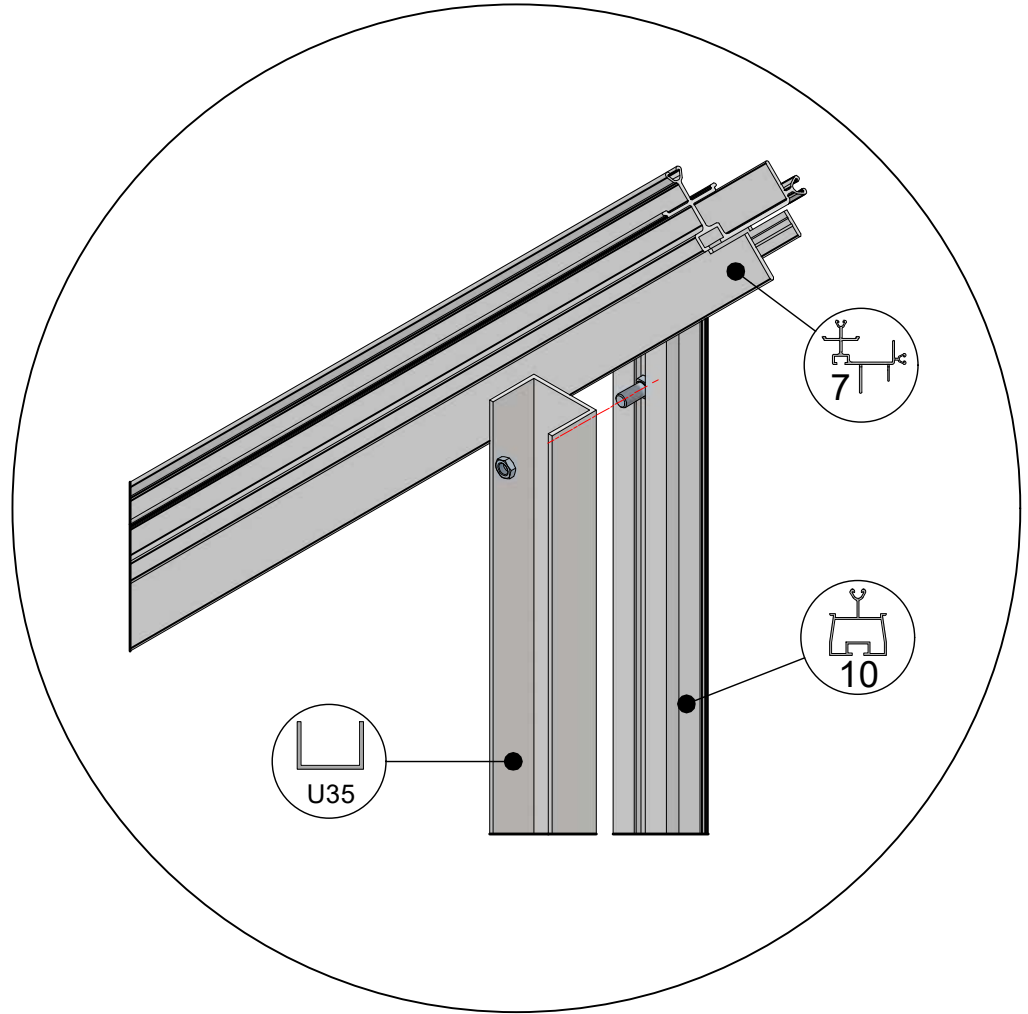
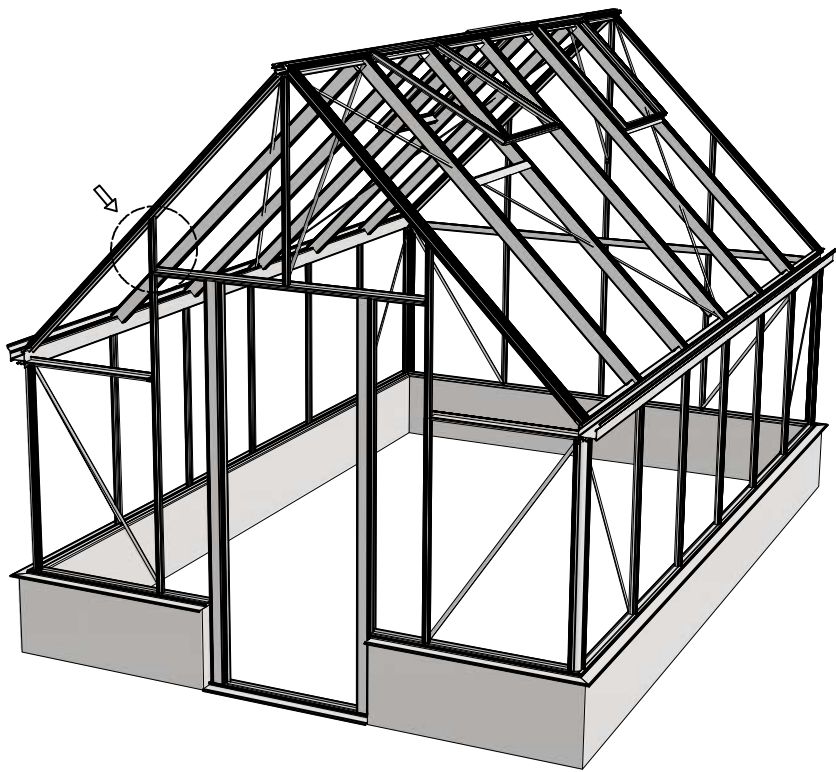
$\varnothing = 4\text{mm}$



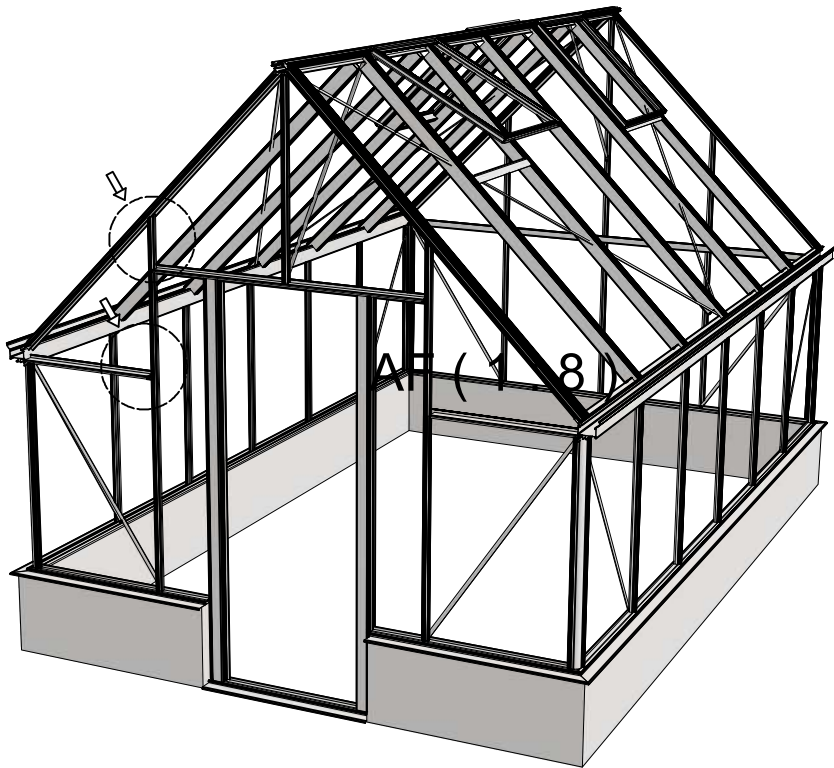
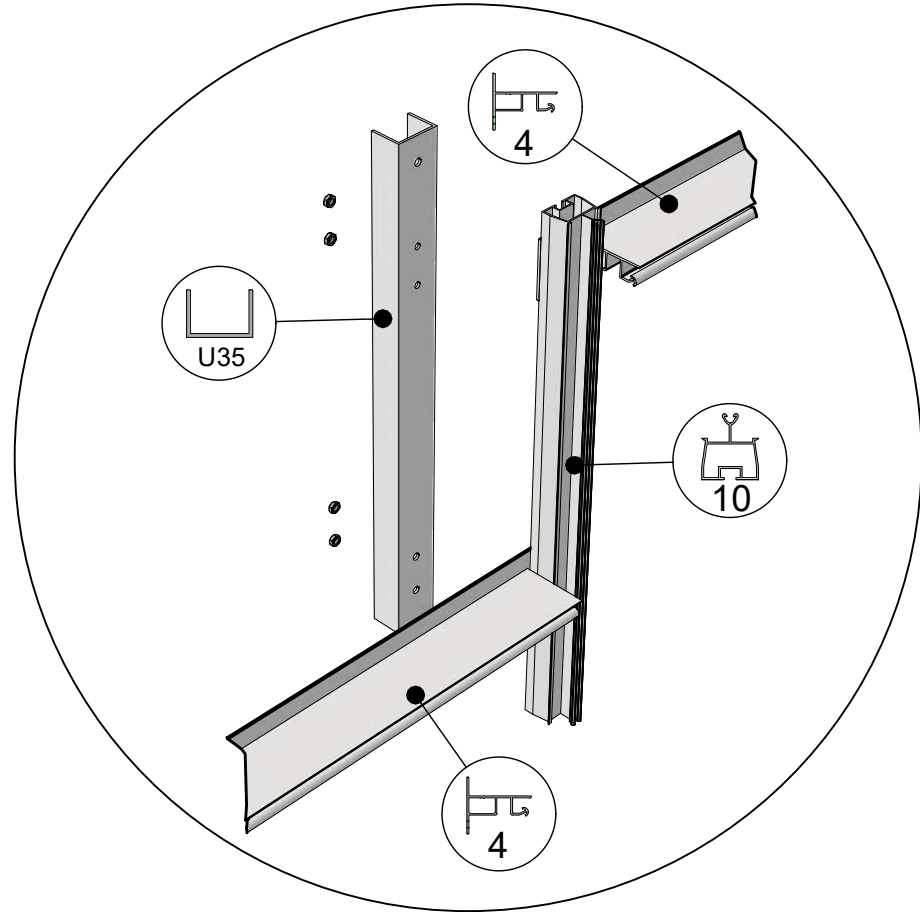
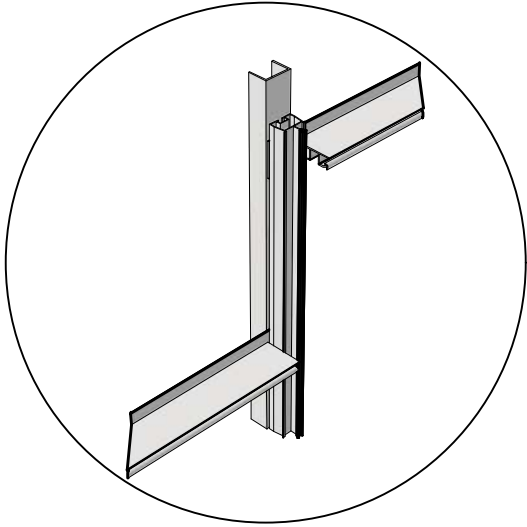
 = M6x12



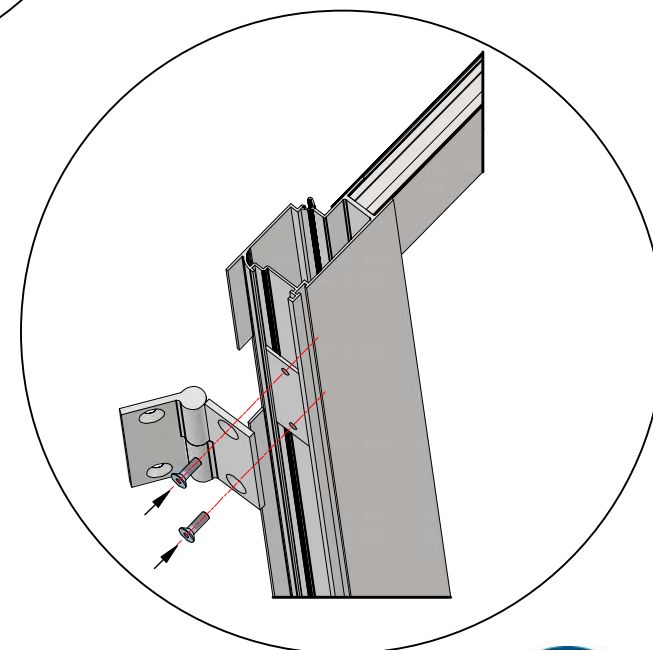
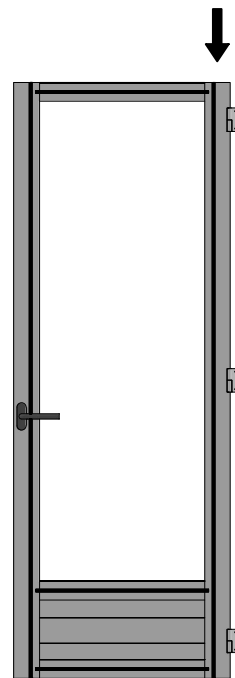
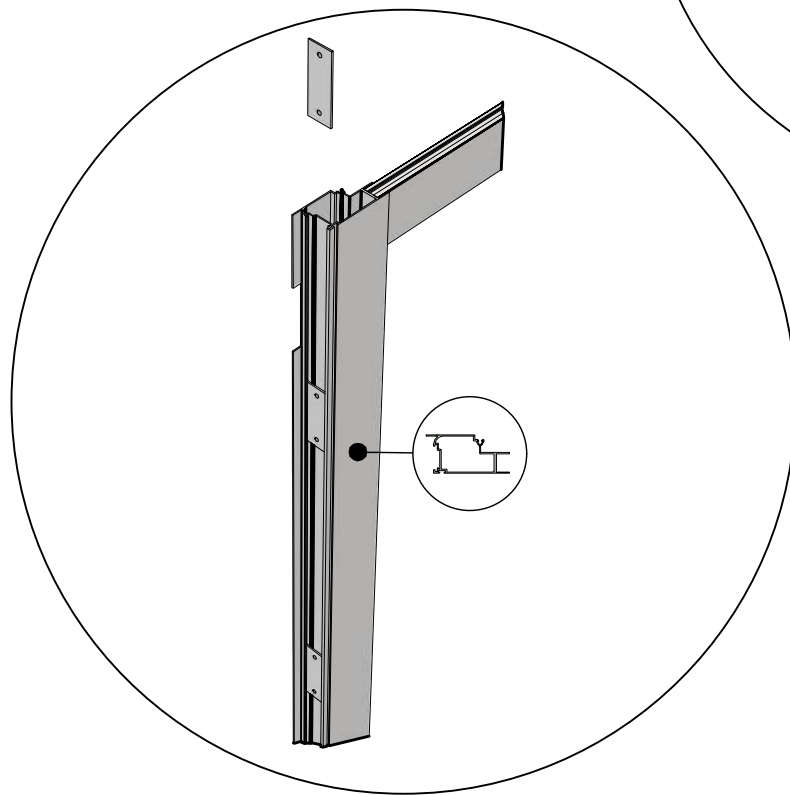
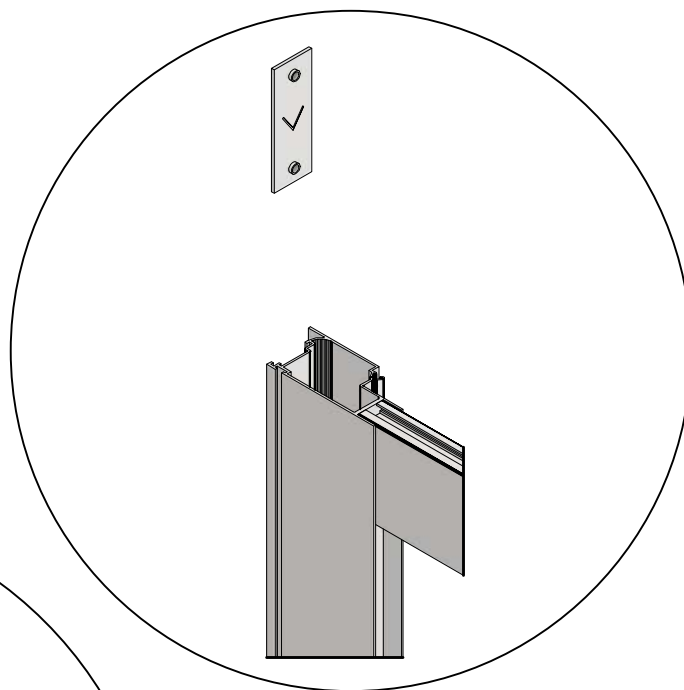
 = M6x12

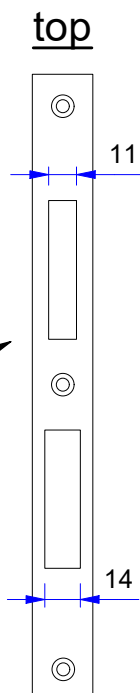
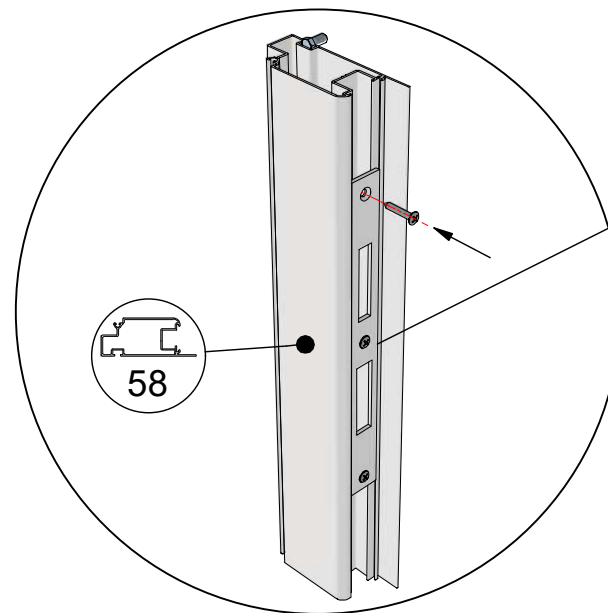
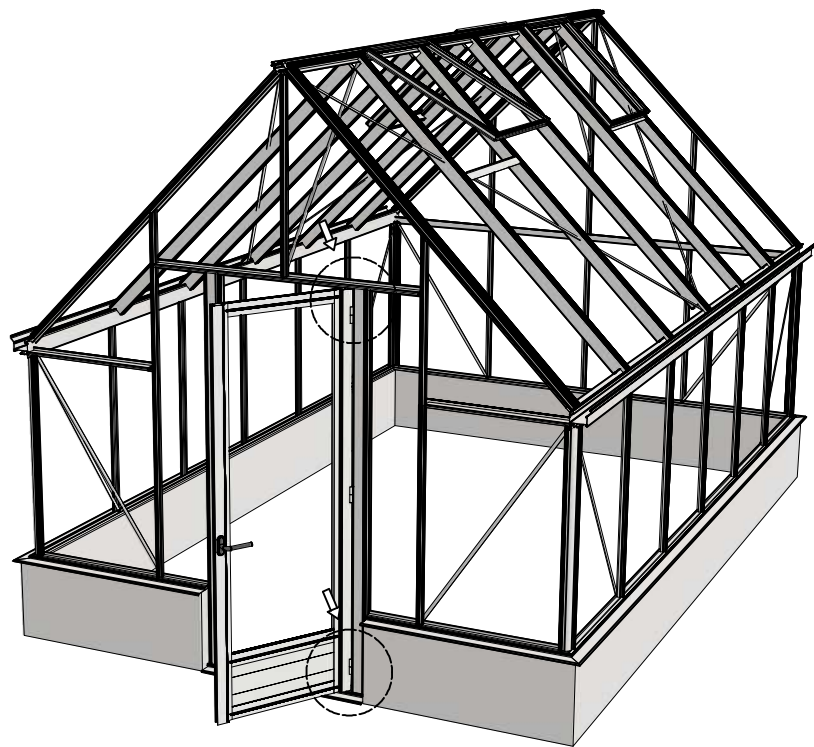
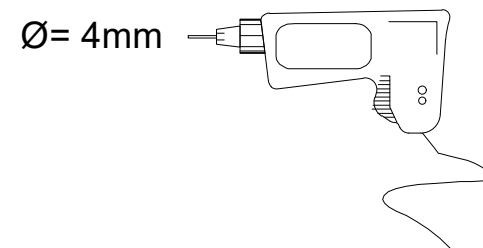
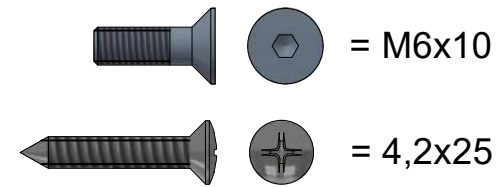
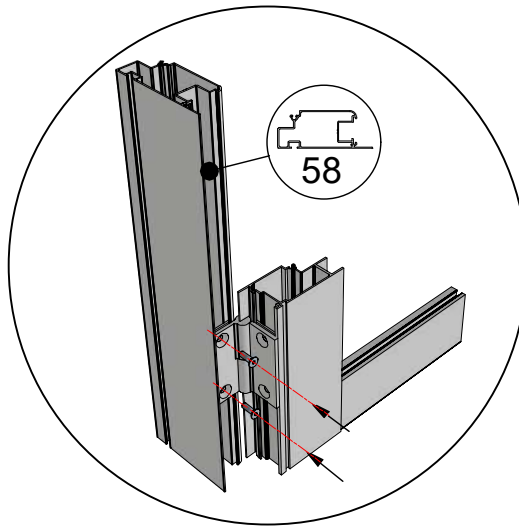
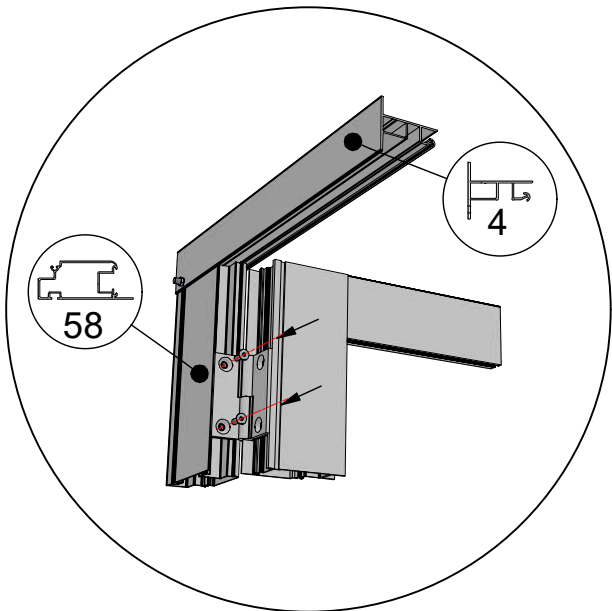


 = M6x12



 = M6x10





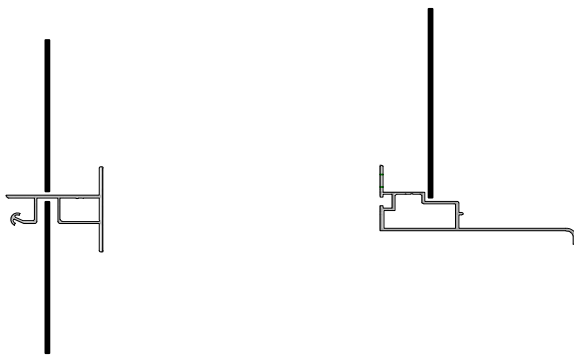
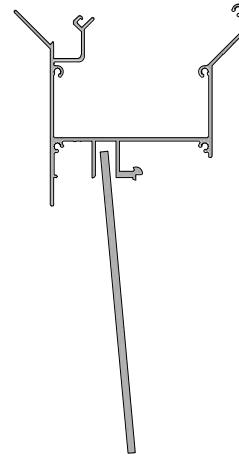
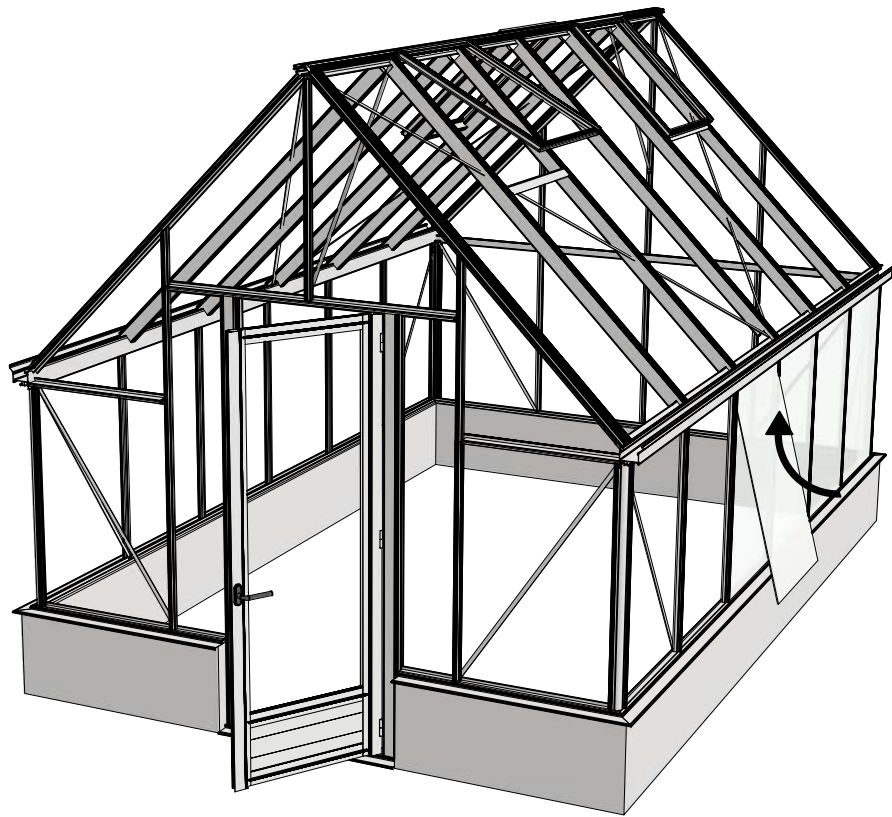
Glass Dimensions Nv Euro-serre		Euro-Rustic on wall			3,09m	GlassH: 1120	Wall H: 430			
Glass Size 730mm	Sides	Single	Roof	Size Lenght x Wide			Poly			
	1120 x 730 1650 x 290	1615 x 620		2110 x 730	1273 x 730	825 x 730	2110 x 730	1273 x 730		
							m <sup>2</sup>	m <sup>2</sup>		
Euro-Rustic on wall 3,09m x 3,09m	14	2	1	6	2	2 or 2	6	2	13,4	12,3
Euro-Rustic on wall 3,09m x 3,80m	16	2	1	8	2	2 or 2	8	2	15,0	15,4
Euro-Rustic on wall 3,09m x 4,57m	18	2	1	9	3	3 or 3	9	3	16,7	18,5
Euro-Rustic on wall 3,09m x 5,30m	20	2	1	11	3	3 or 3	11	3	18,3	21,5
Euro-Rustic on wall 3,09m x 6,04m	22	2	1	12	4	4 or 4	12	4	19,9	24,6
									0,0	
									0,0	
									0,0	
									0,0	

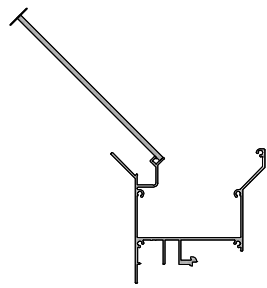
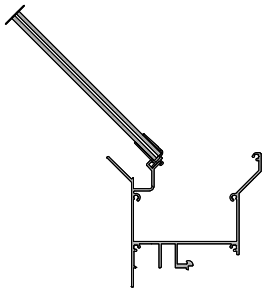
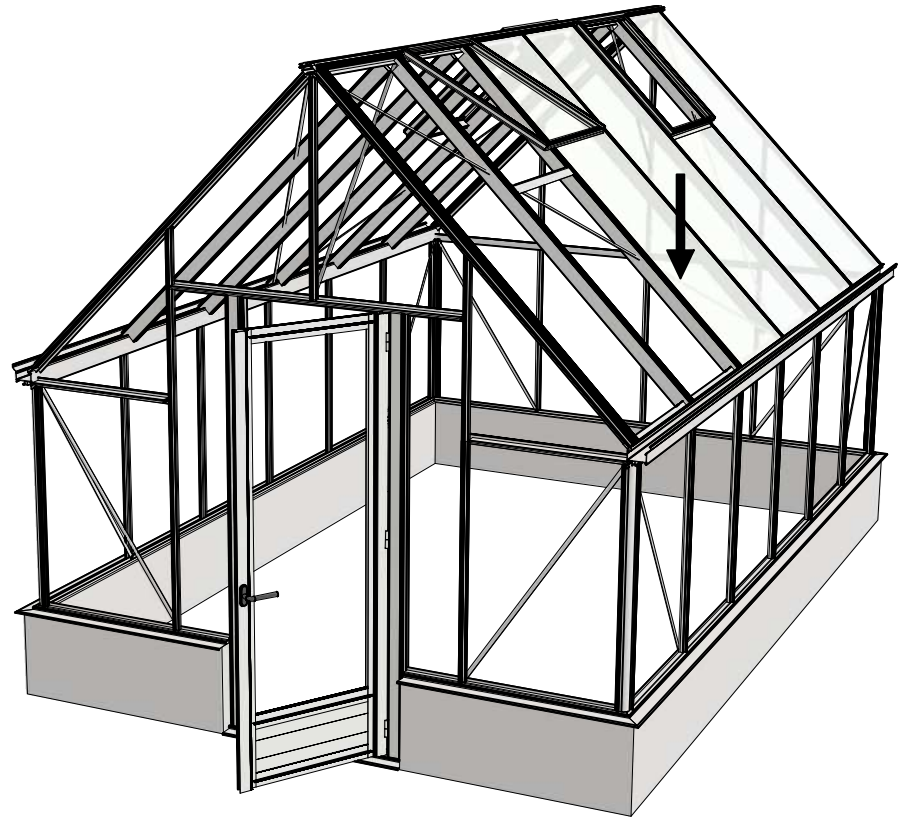
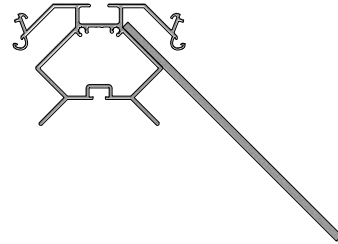
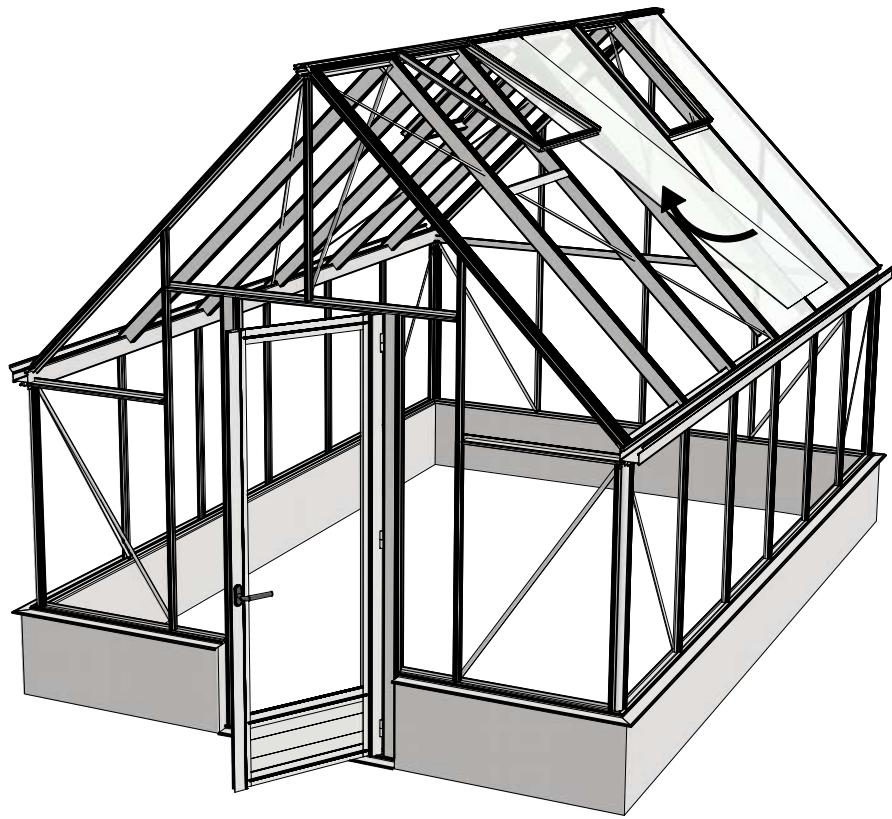


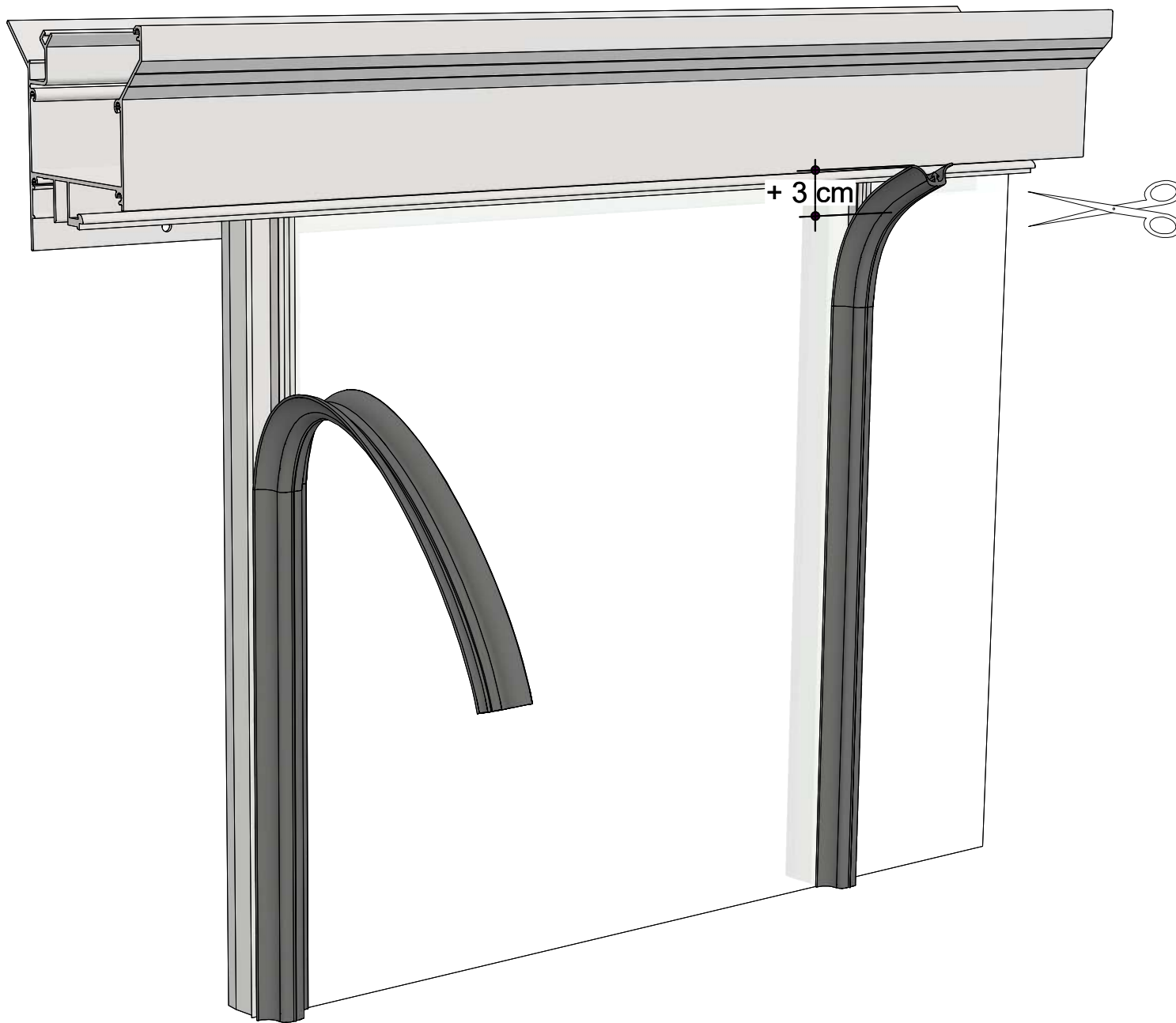
Glass Dimensions Nv Euro-serre		Euro-Rustic on wall			3,09m	GlassH: 920	Wall H: 630			
Glass Size 730mm	Sides	Single	Roof	Size Lenght x Wide			Poly			
	920 x 730 1450 x 290	1350 x 620		2110 x 730	1273 x 730	825 x 730	2110 x 730	1273 x 730		
							m <sup>2</sup>	m <sup>2</sup>		
Euro-Rustic on wall 3,09m x 3,09m	14	2	1	6	2	2 or 2	6	2	13,4	12,3
Euro-Rustic on wall 3,09m x 3,80m	16	2	1	8	2	2 or 2	8	2	15,0	15,4
Euro-Rustic on wall 3,09m x 4,57m	18	2	1	9	3	3 or 3	9	3	16,7	18,5
Euro-Rustic on wall 3,09m x 5,30m	20	2	1	11	3	3 or 3	11	3	18,3	21,5
Euro-Rustic on wall 3,09m x 6,04m	22	2	1	12	4	4 or 4	12	4	19,9	24,6
									0,0	
									0,0	
									0,0	
									0,0	

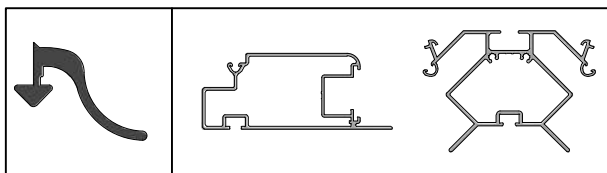
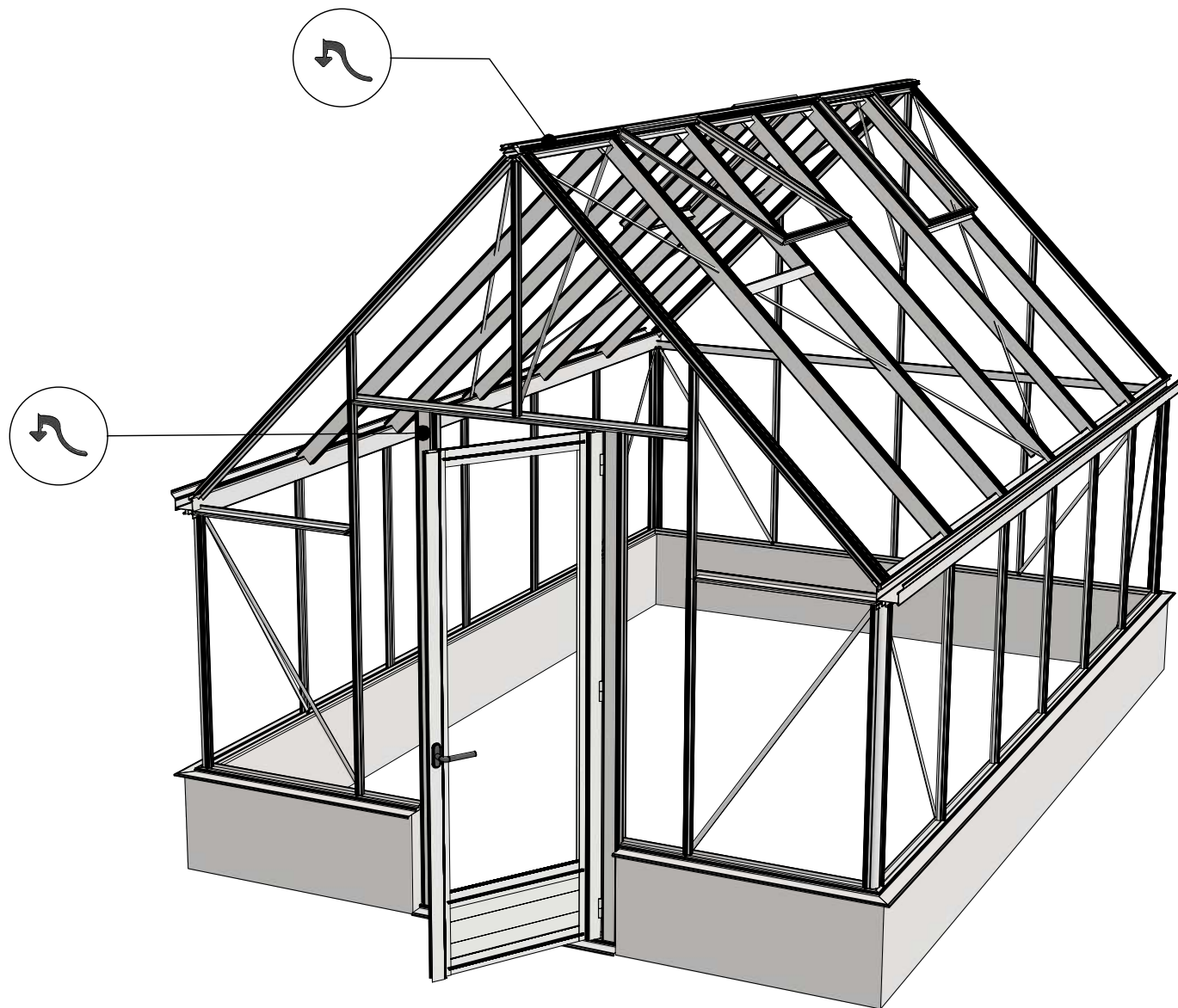


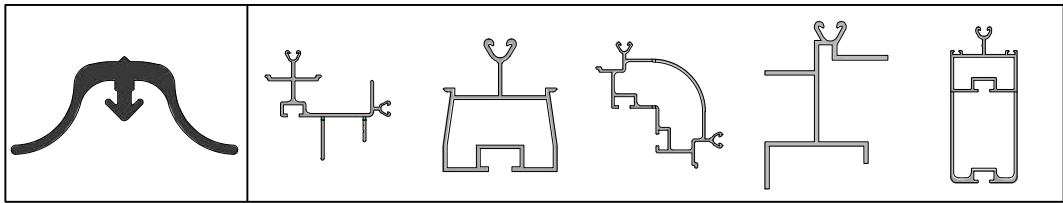
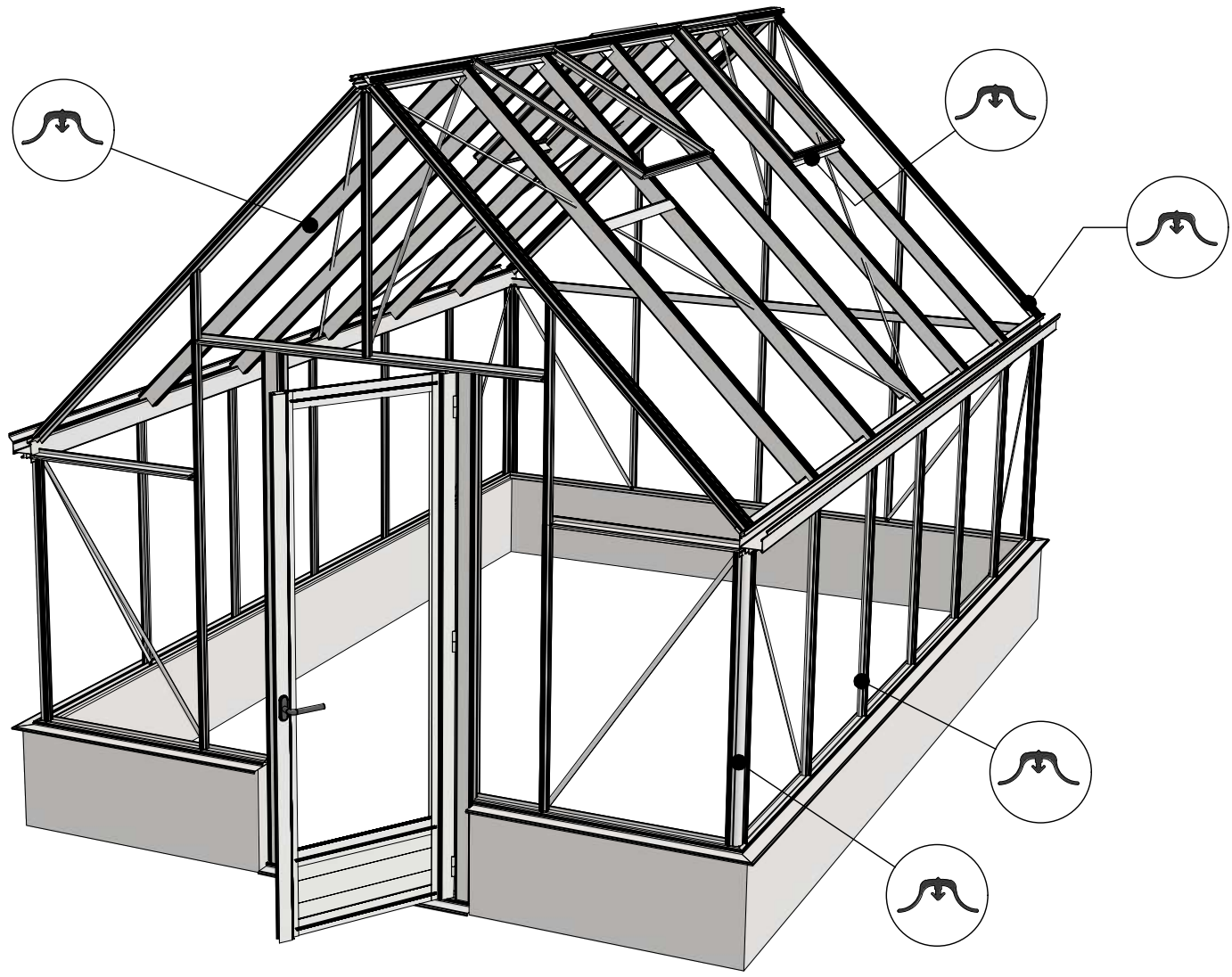
Opgemaakt op 30-06-2022

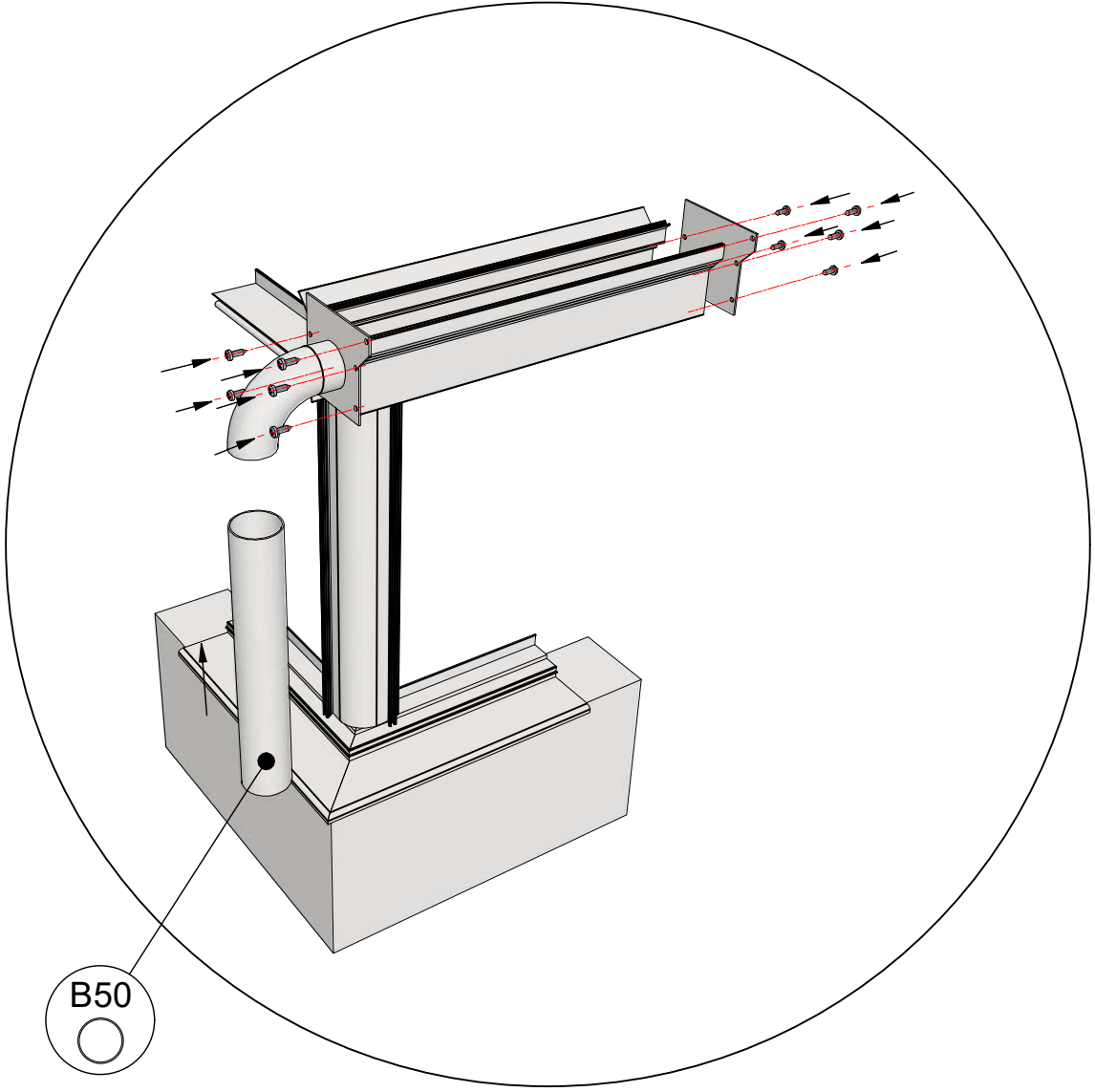
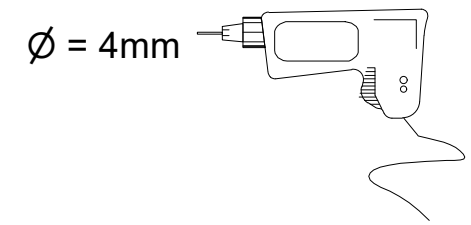




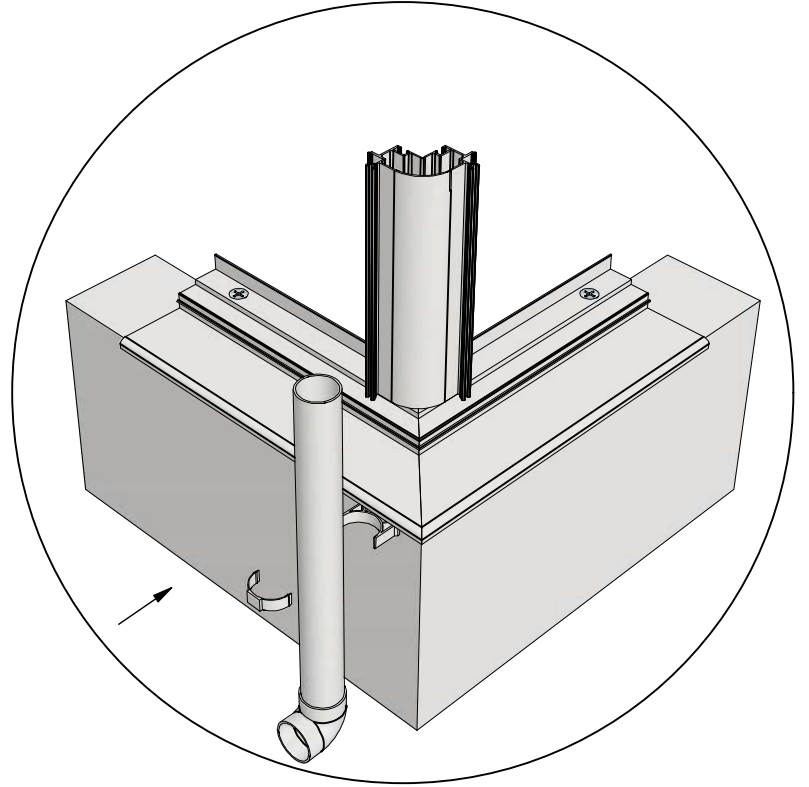








B50





= 4,8x16

