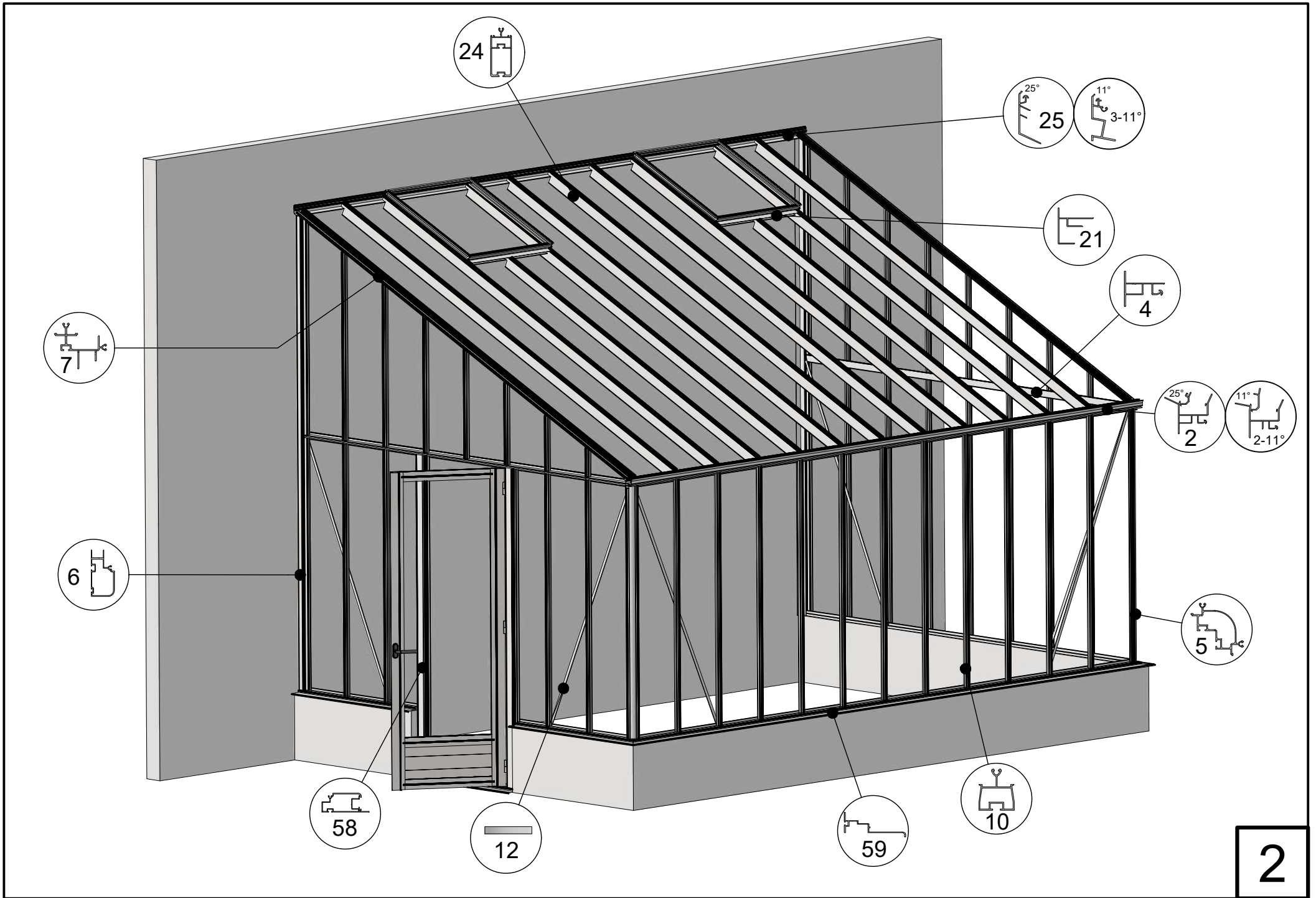

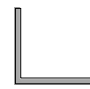

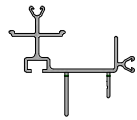
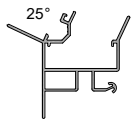
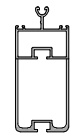

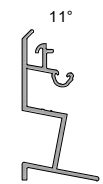
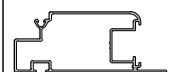
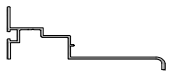
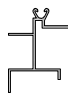
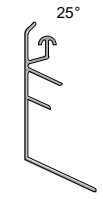
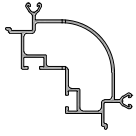
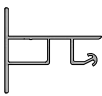

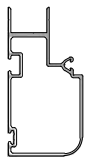

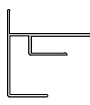


Anlehngewächshaus Gothic 308



08-11-2023



Profile list											
-	NR	Profile NR	-	NR	Profile NR	-	NR	Profile NR	-	NR	Profile NR
	2-11°	7151		17	L40/40/2		12	7070		7	7151
	2	11788		24	10968		18	17542		3-11°	11280
	58	12960		59	9249		19	17543		25	17666
	5	17548		4	17549		20T	28513			
	6	9915		10	17541		21	29577			

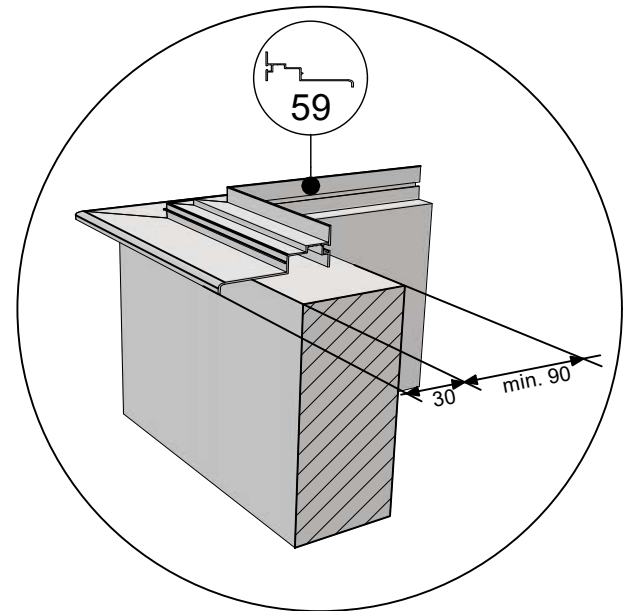
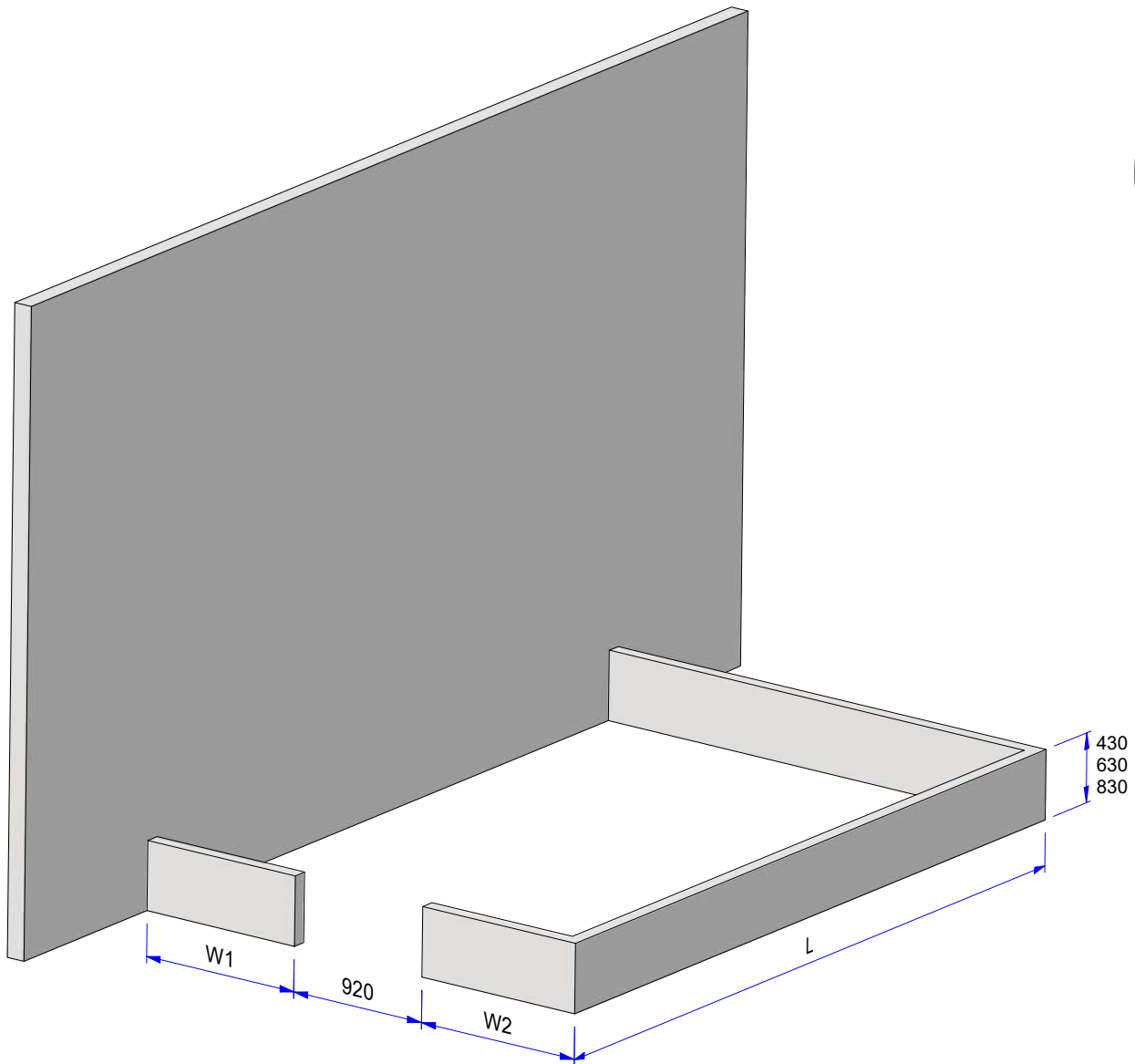
- Attention! Check inside the foundation for more profiles.
- Please fasten screws and nuts hand-tight.

- Achtung! Prüfen sie das fundament für weitere profile.
- Schraube und Mutter bitte handfest festziehen.

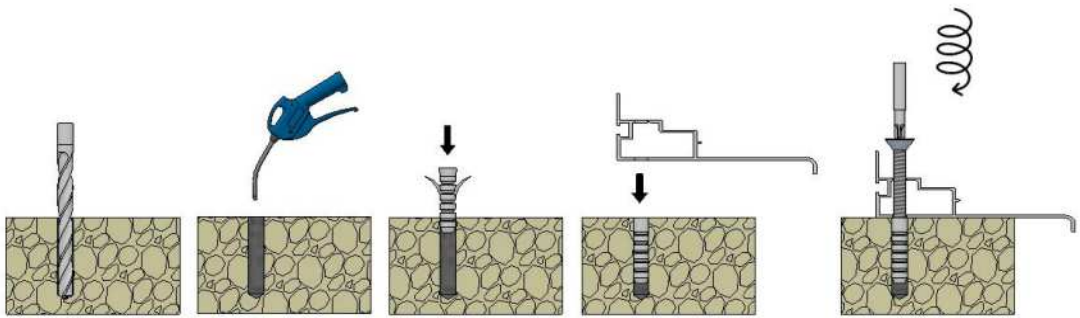
- Opgelet! kijk in de fundering voor andere profielen.
- Bout en moer a.u.b. handvast aandraaien.


- Attention! Regarde à l'intérieur du fondation pour plussier profils.
- Serrez les écrous et vis à la main s.v.p.

- Observera at en del profiler ligger i sockelprofilen!!
- Dra åt skruven och muttern handfast.




W1	W2	L
		2385
		3122
		3859
		4596
		5333
		6070
		6807
		7544
		8281
		9018

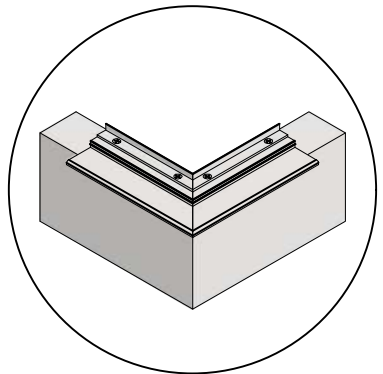
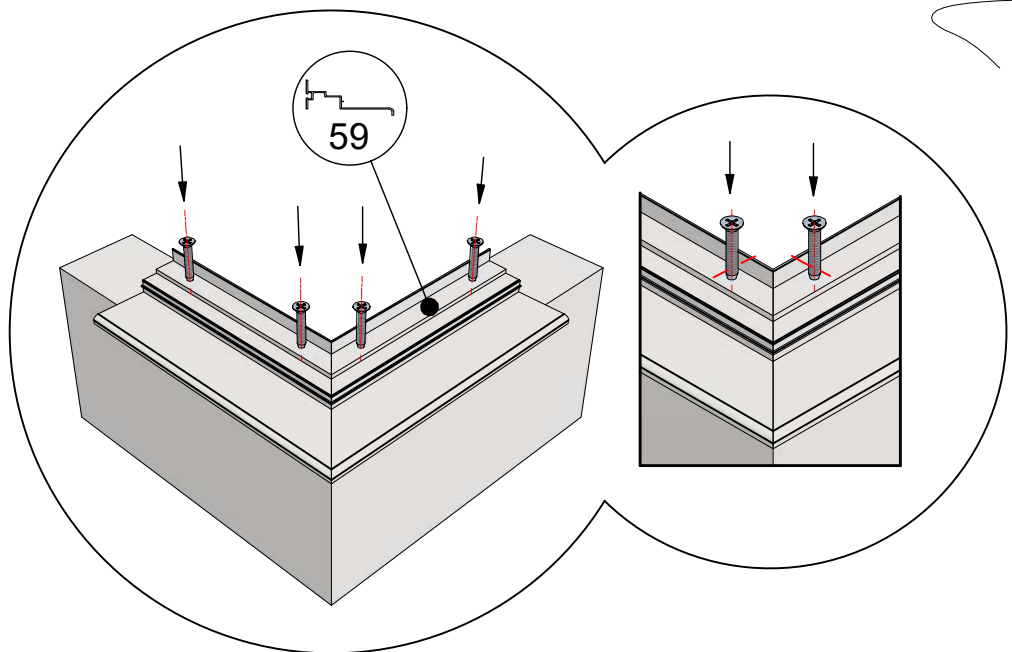
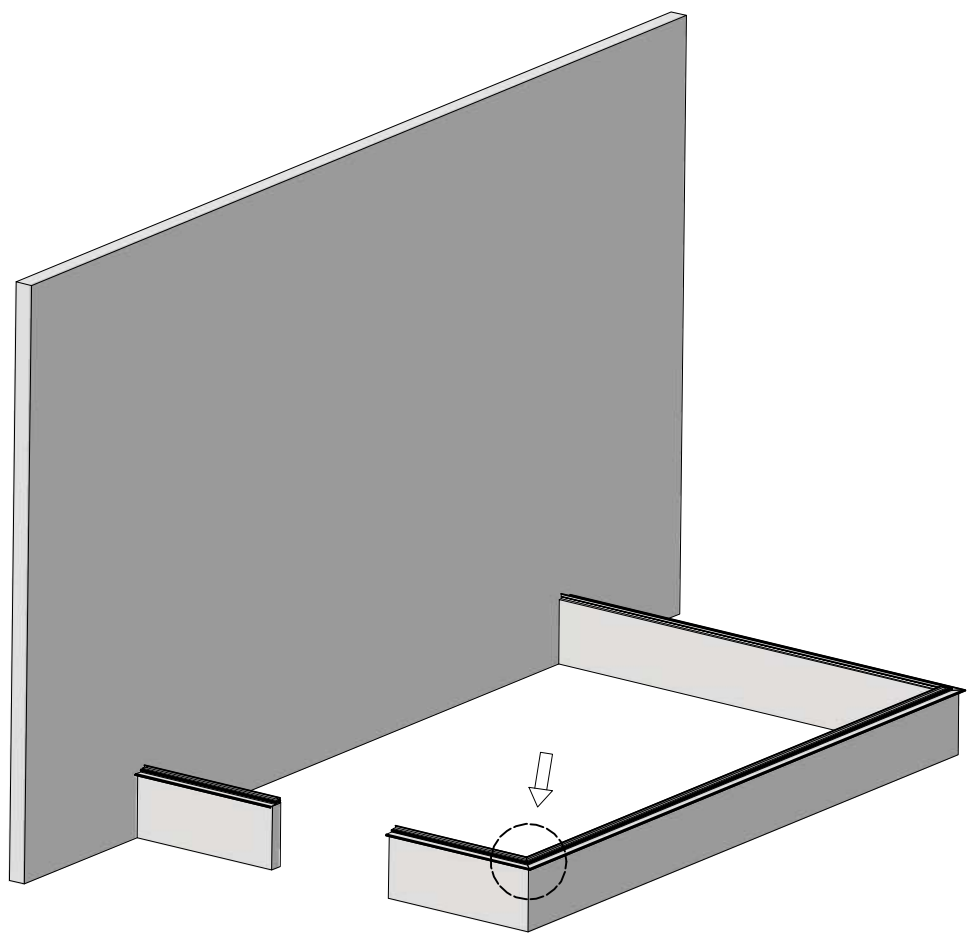
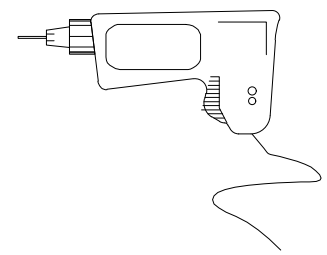


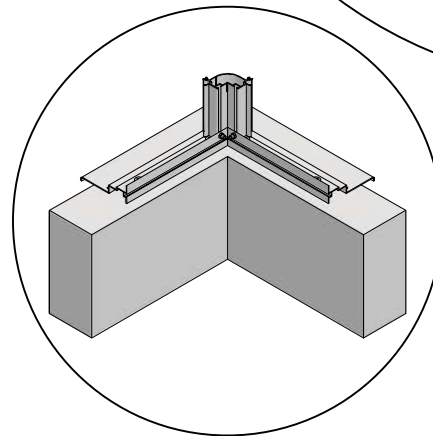
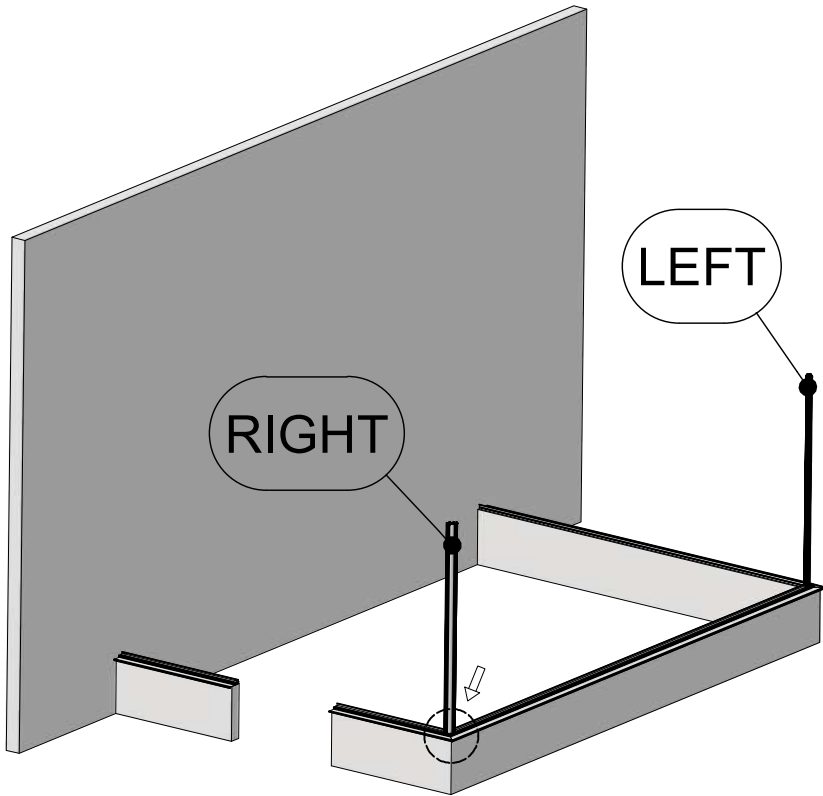
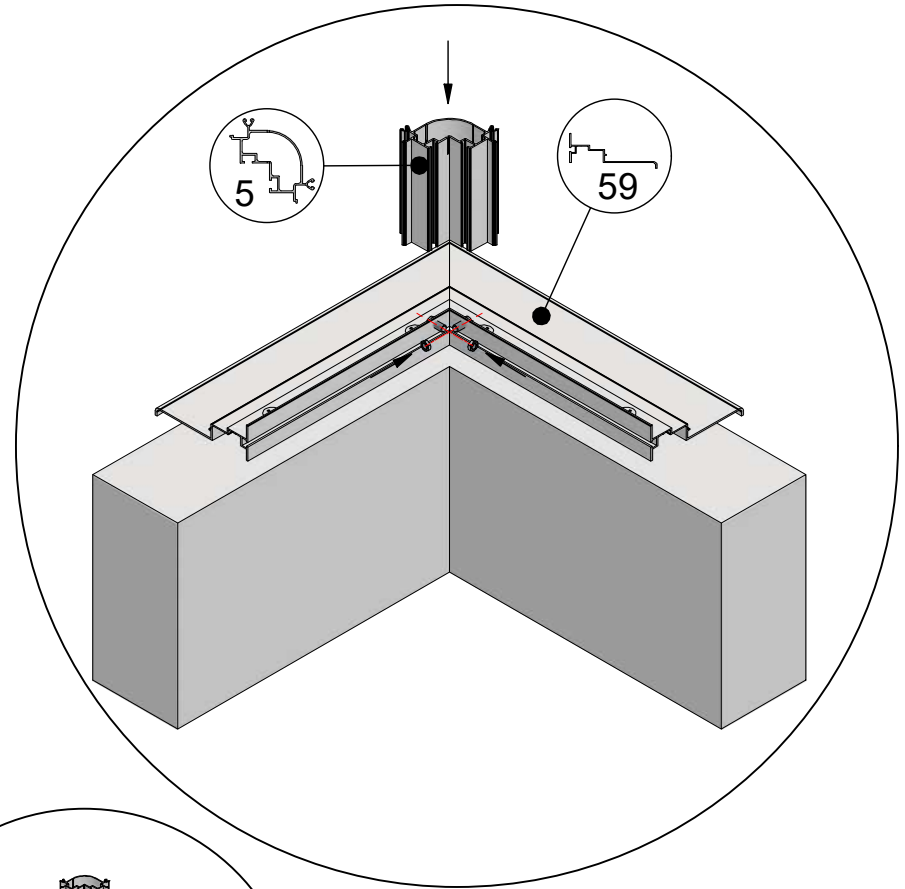
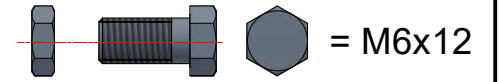
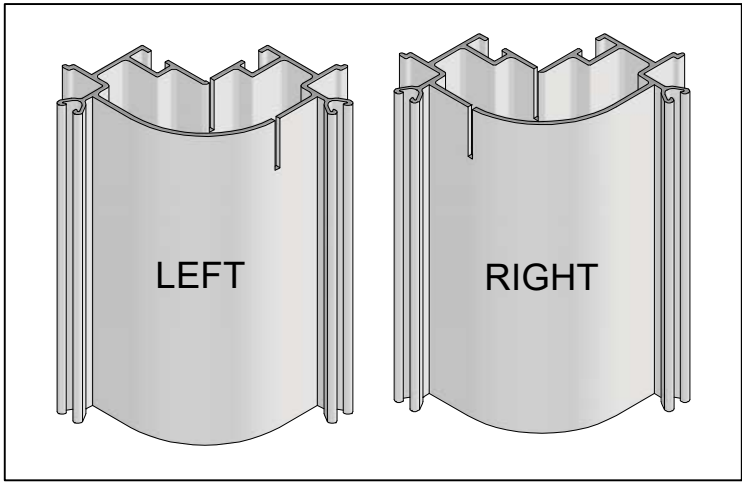
 = 8x40




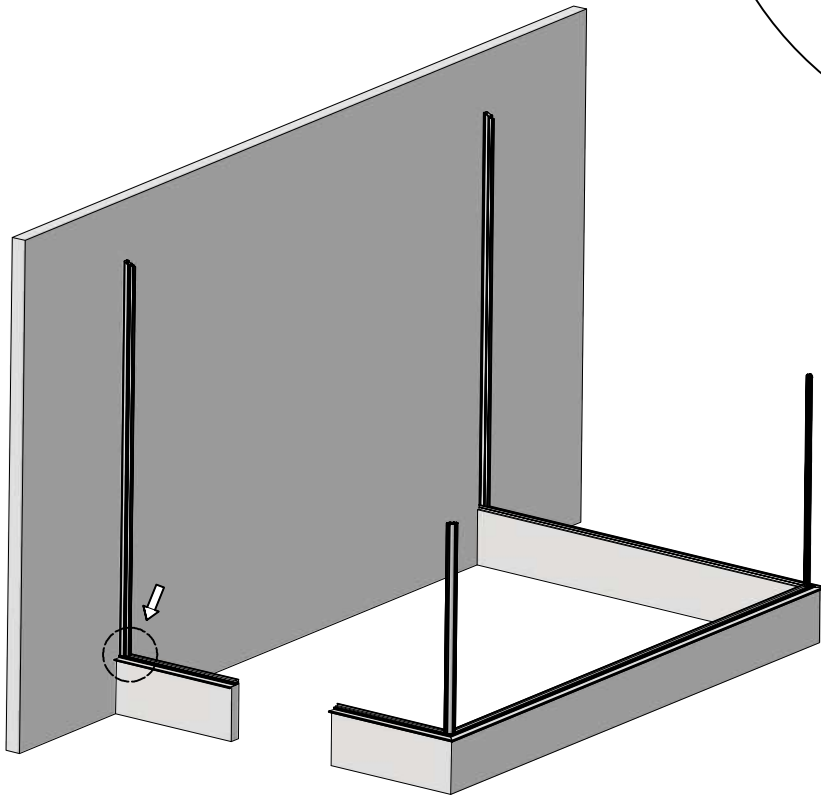
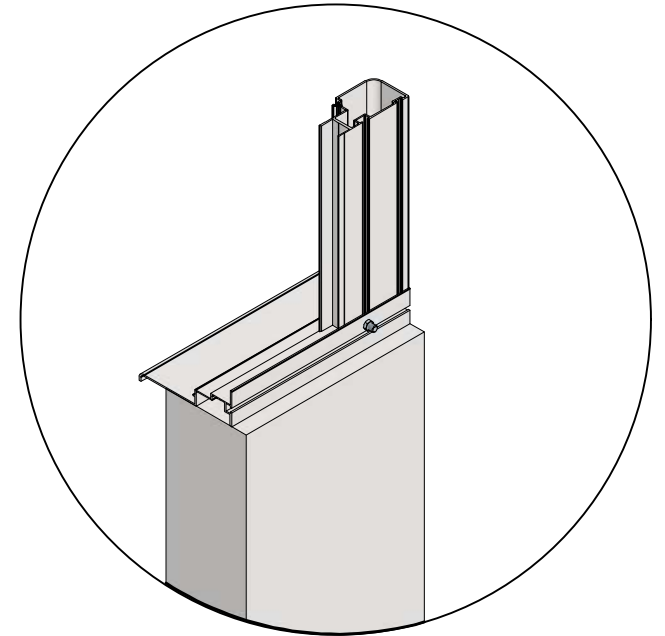
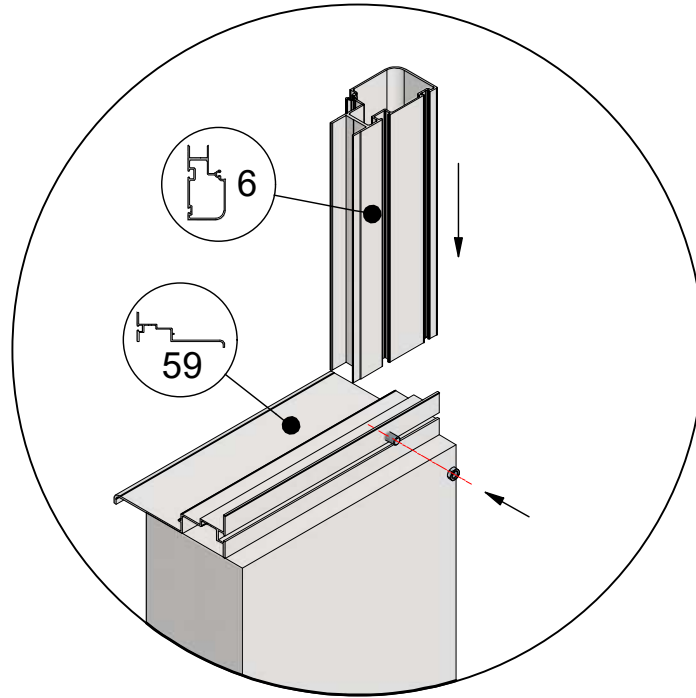
 = 6x120

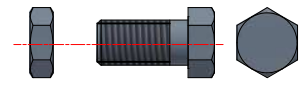
Ø = 8mm

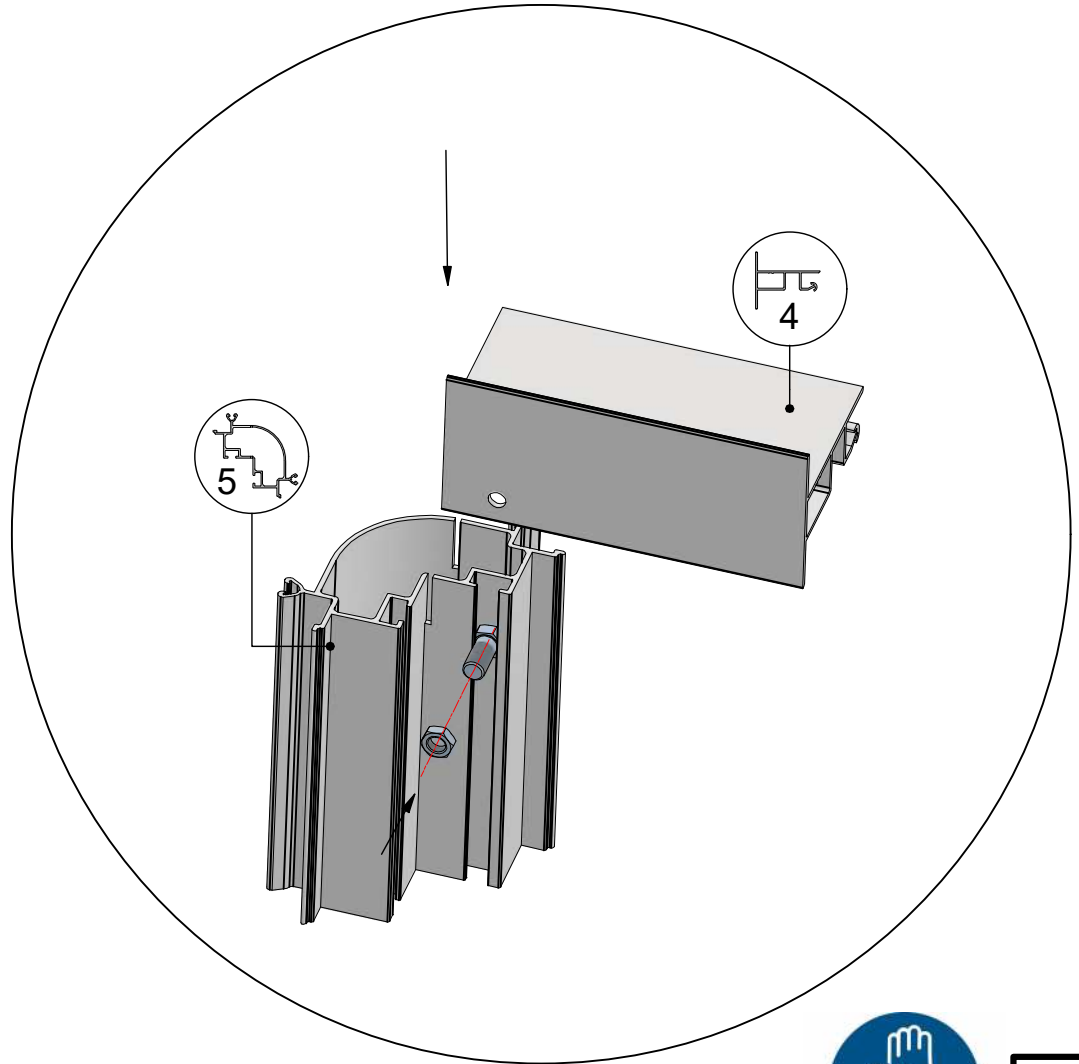
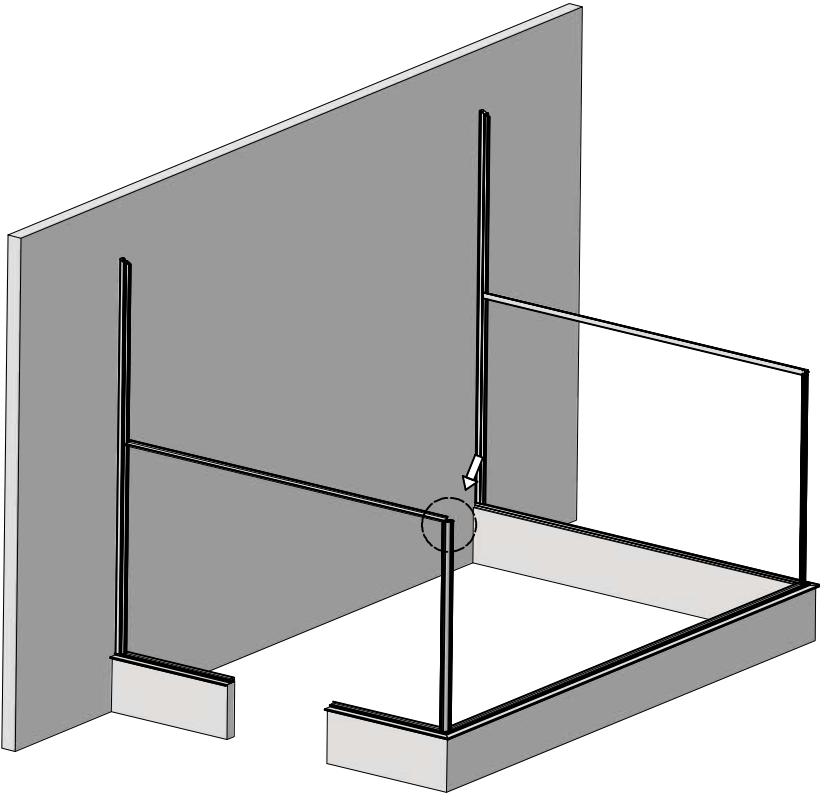
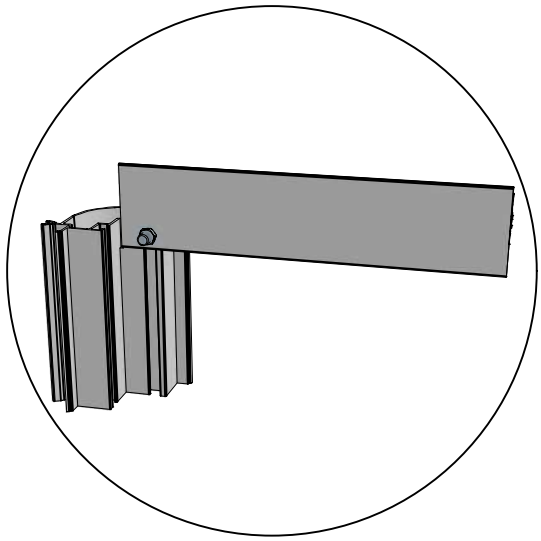





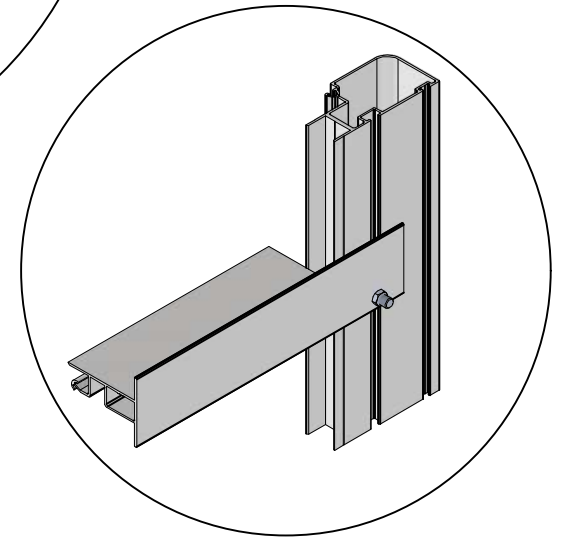
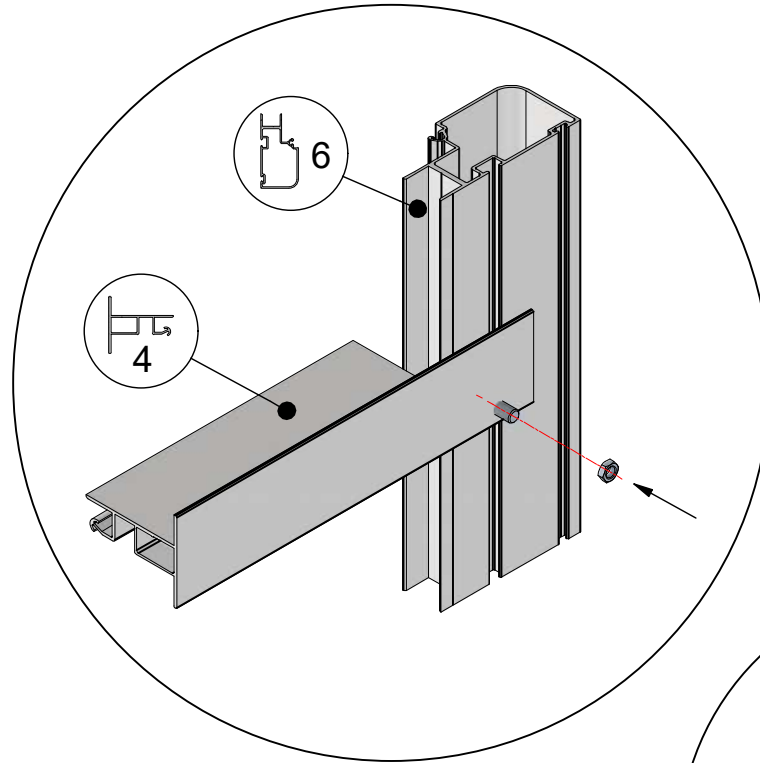
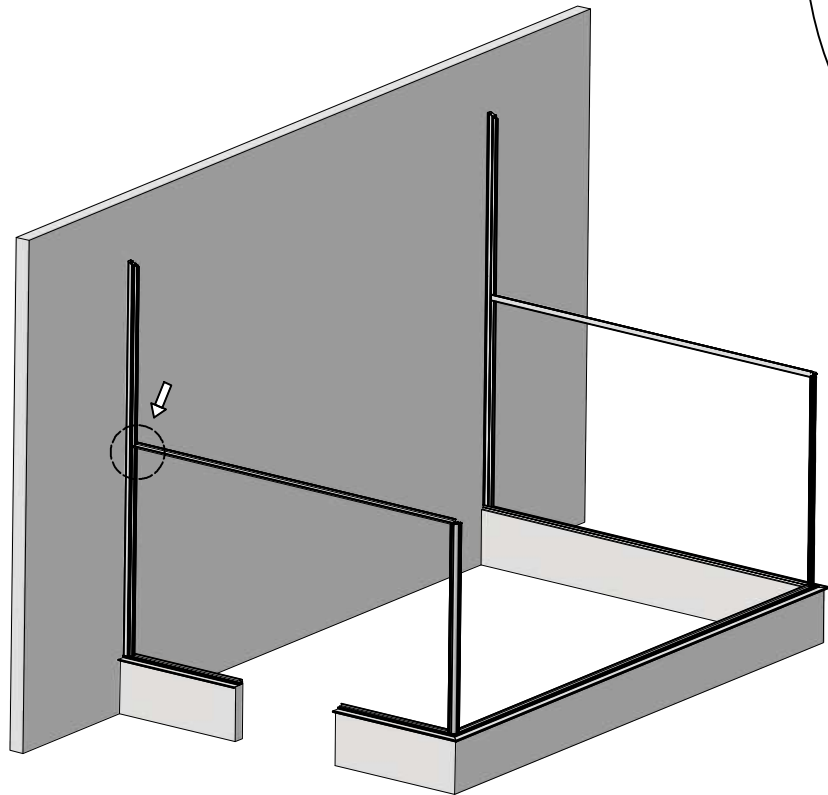
 = M6x12



 = M6x12

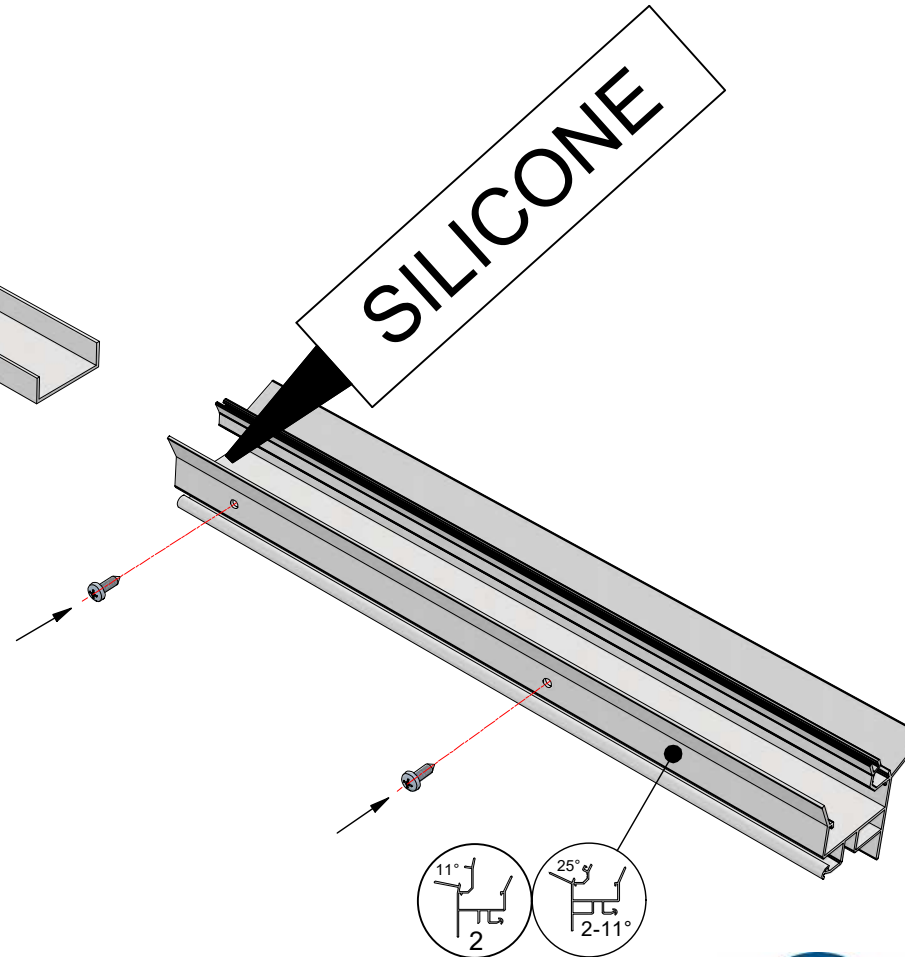
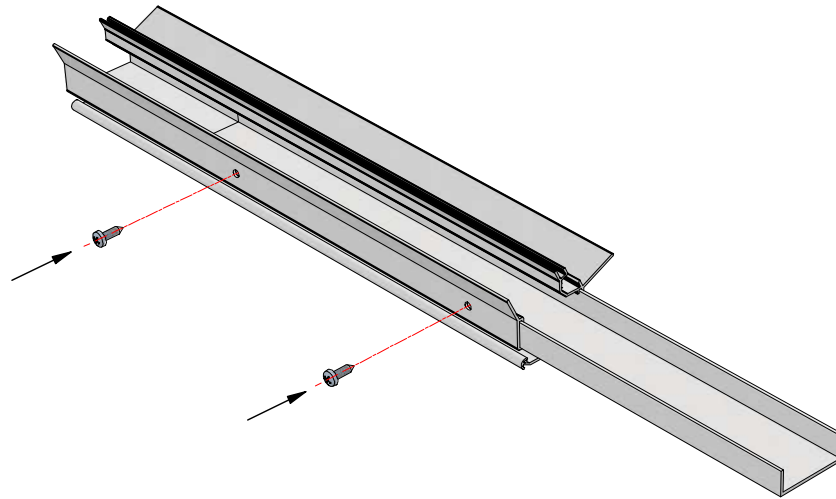
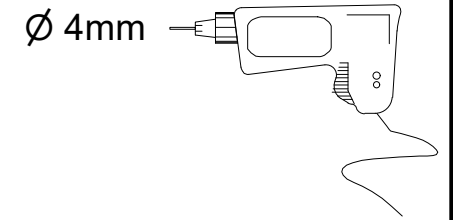


 = M6x12

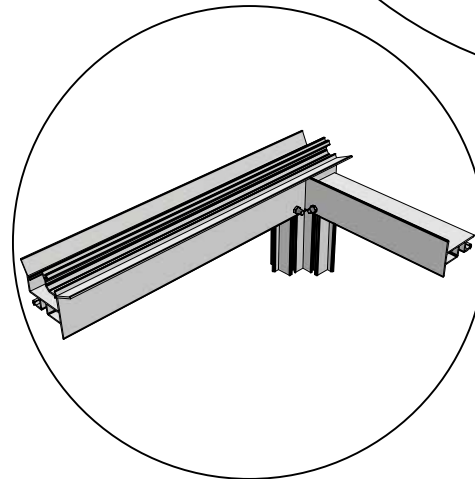
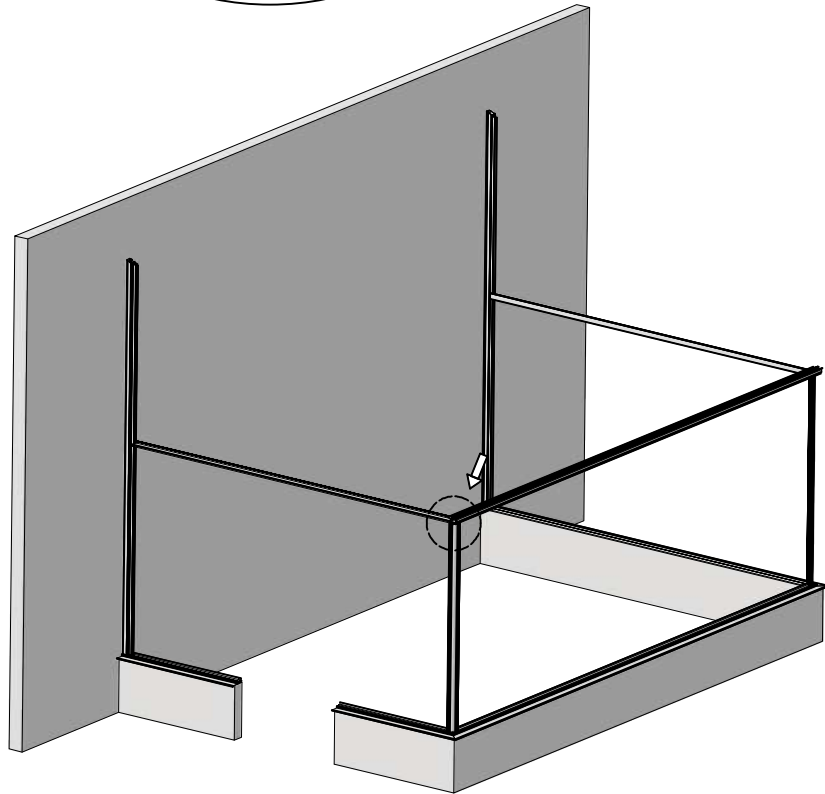
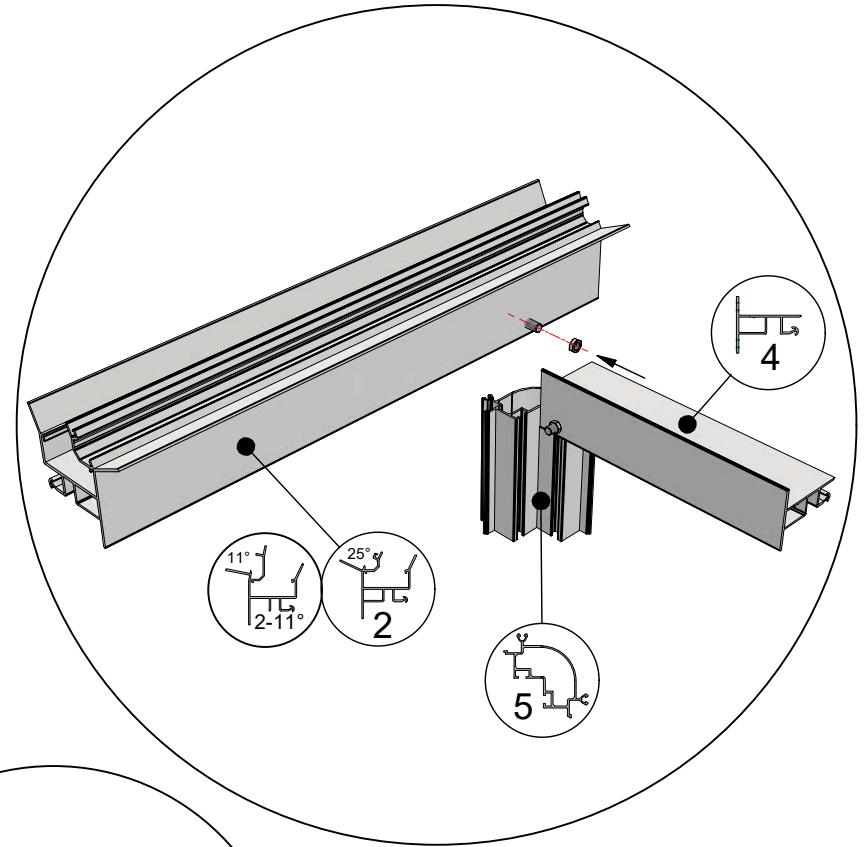
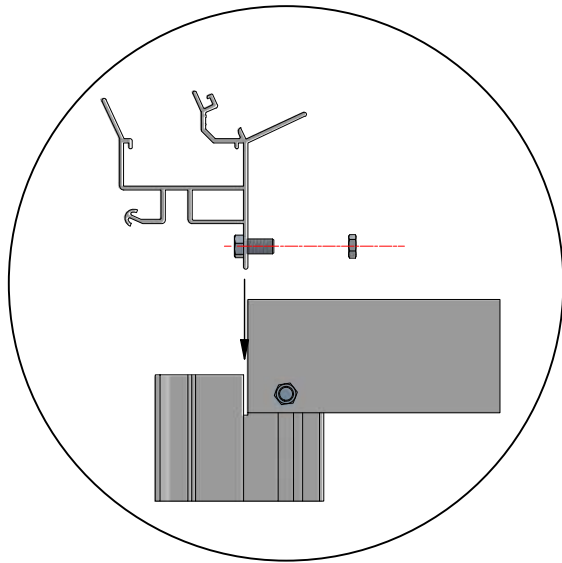


10

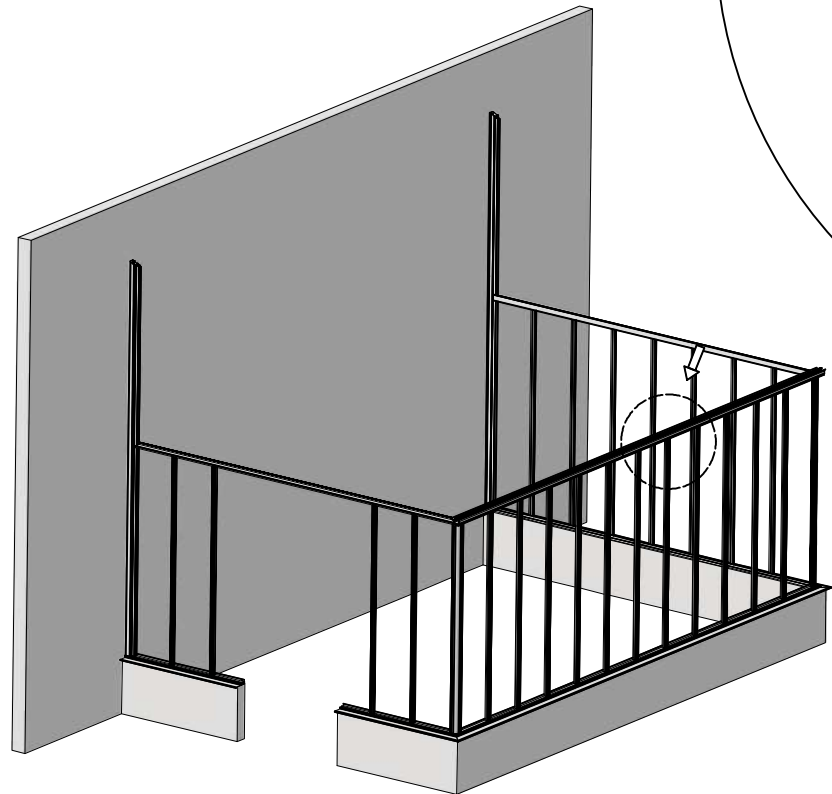
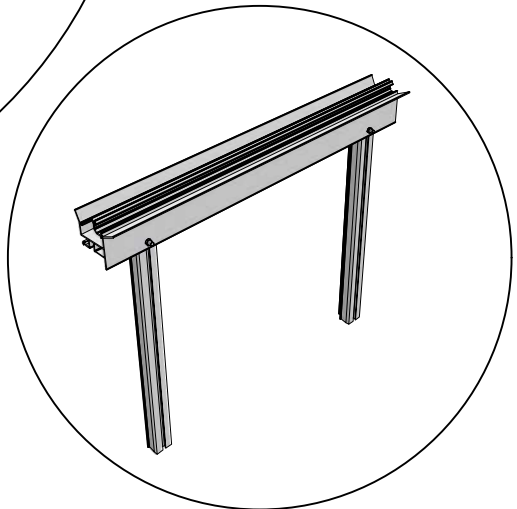
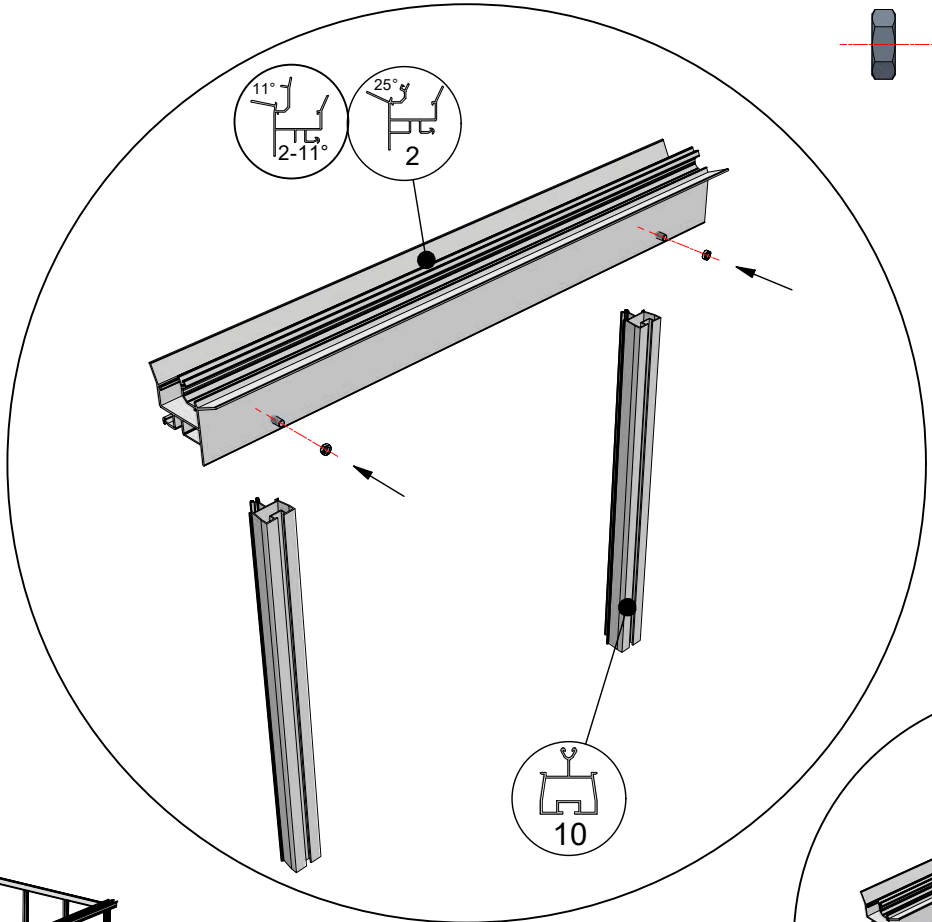
Euro-Muurserre > 6,04




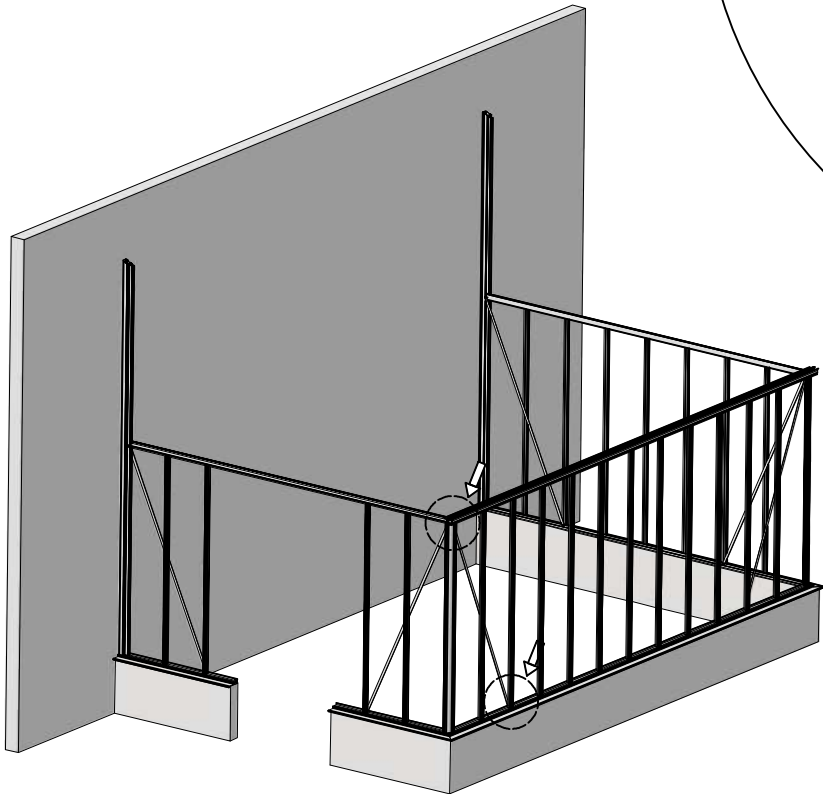
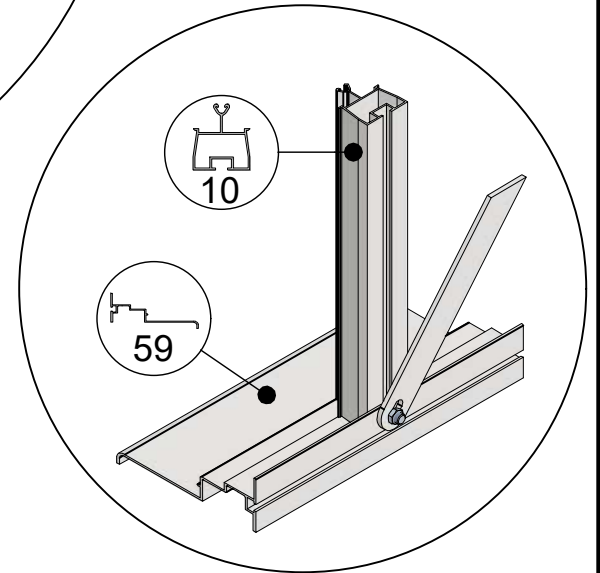
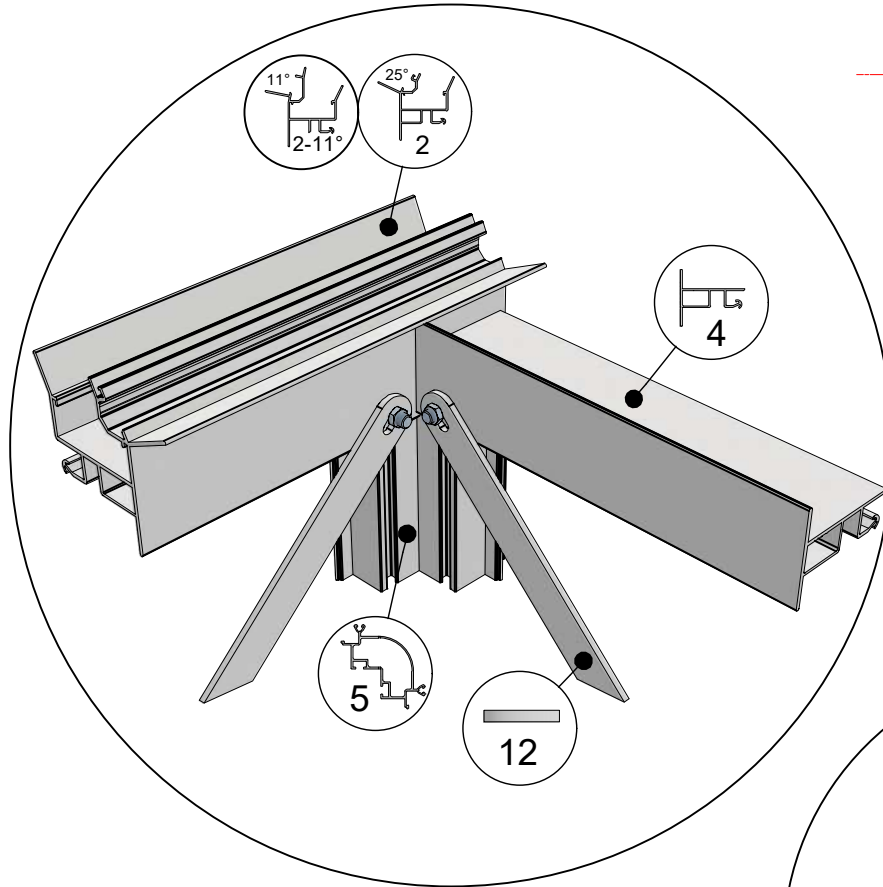
 = M6x12 (4x)

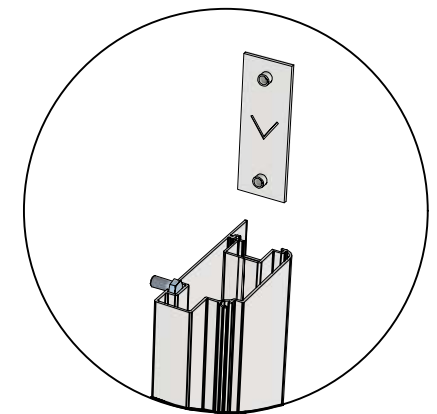
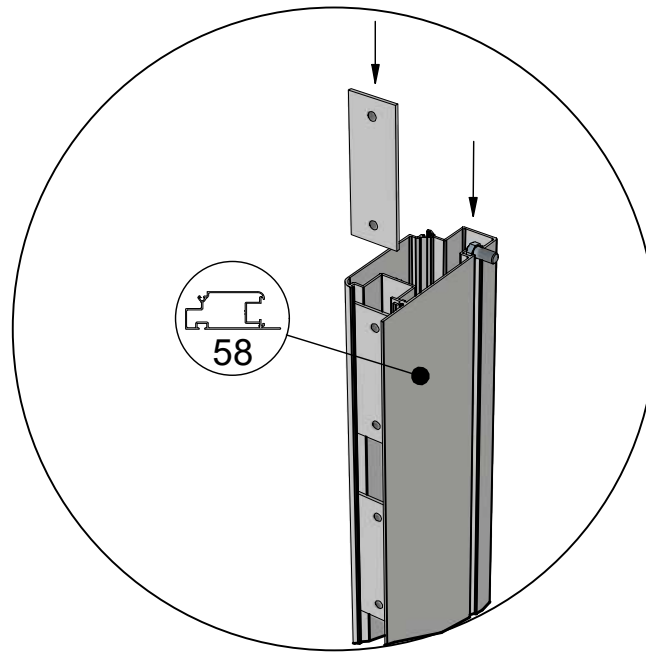
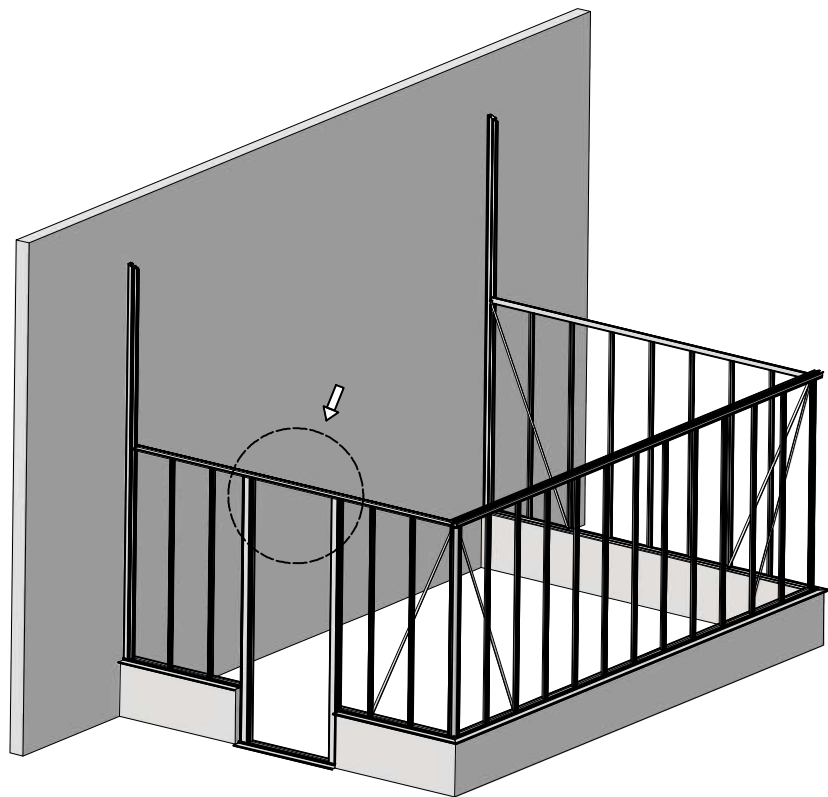


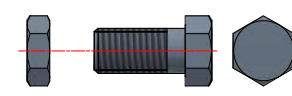
 = M6x12

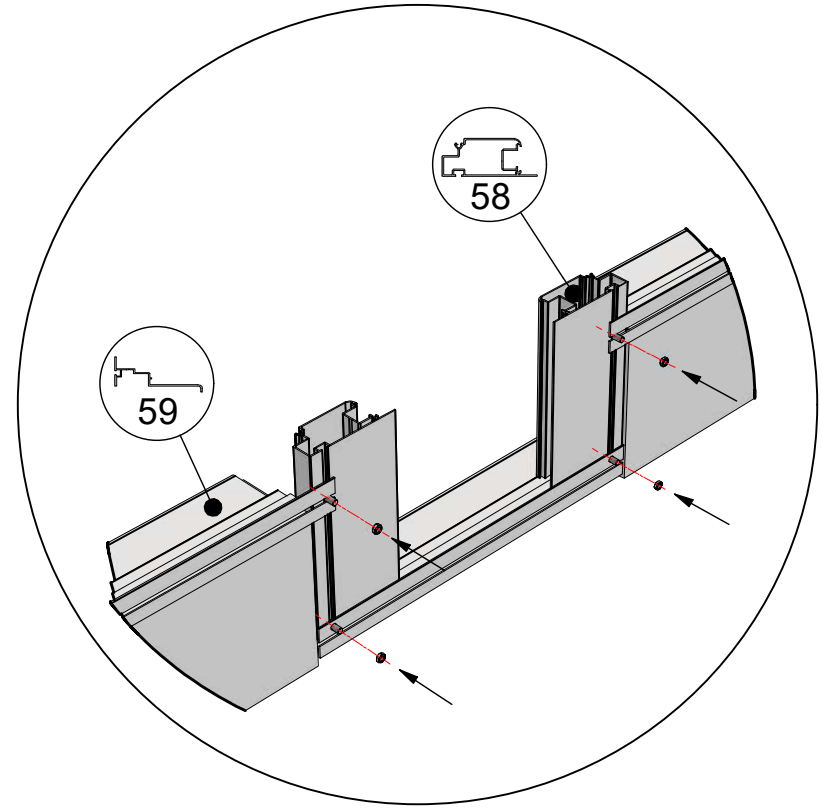
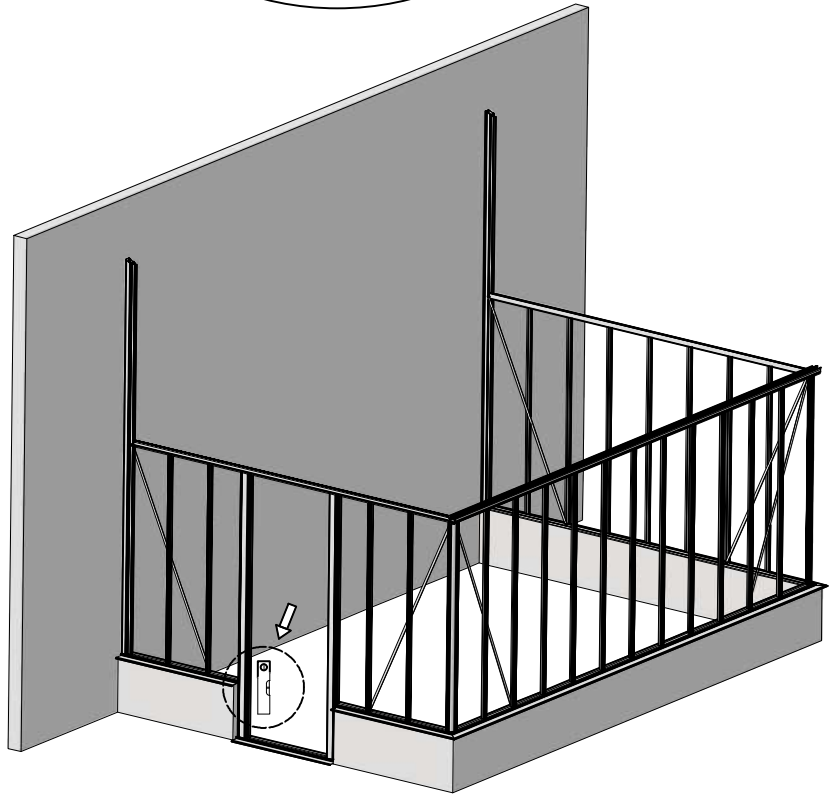
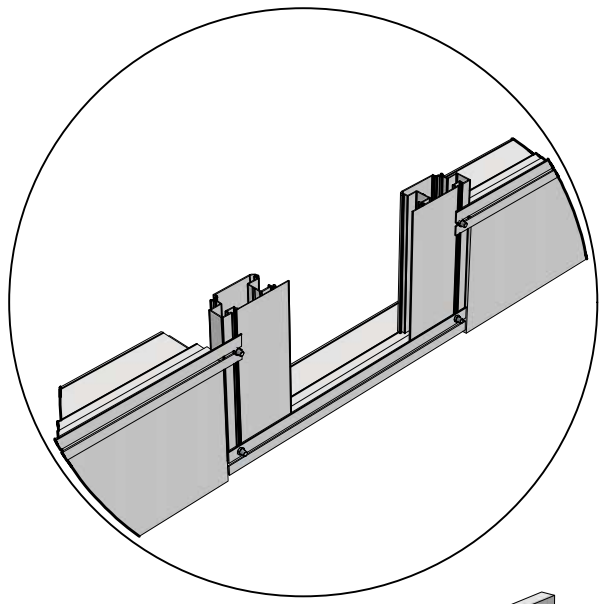



 = M6x12

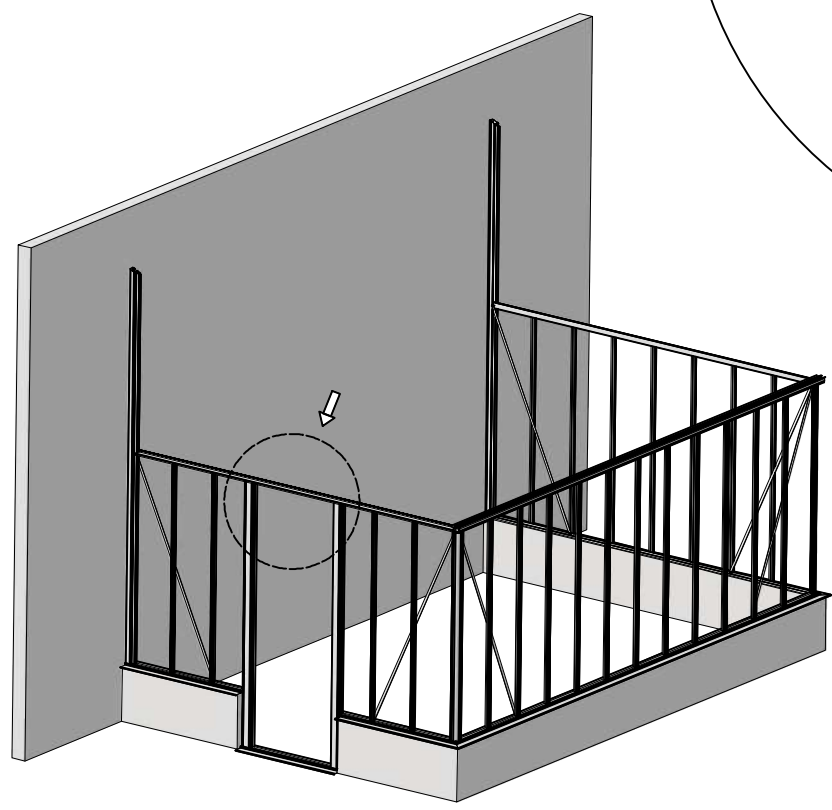
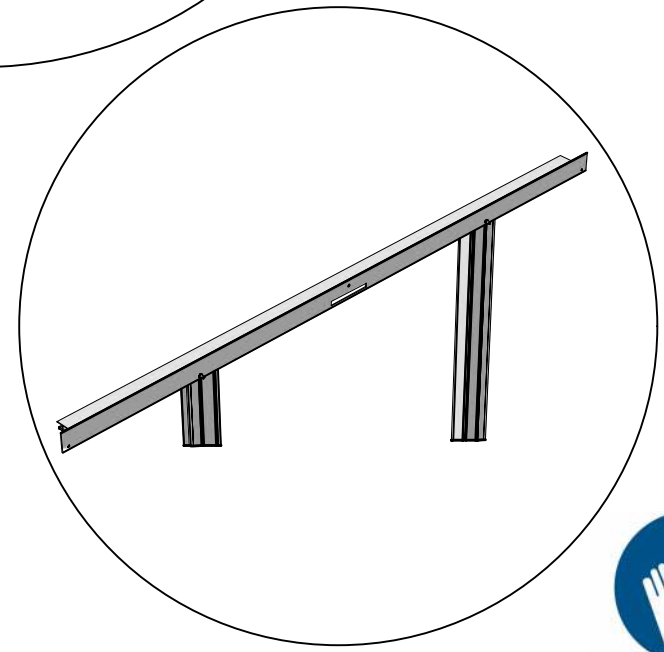
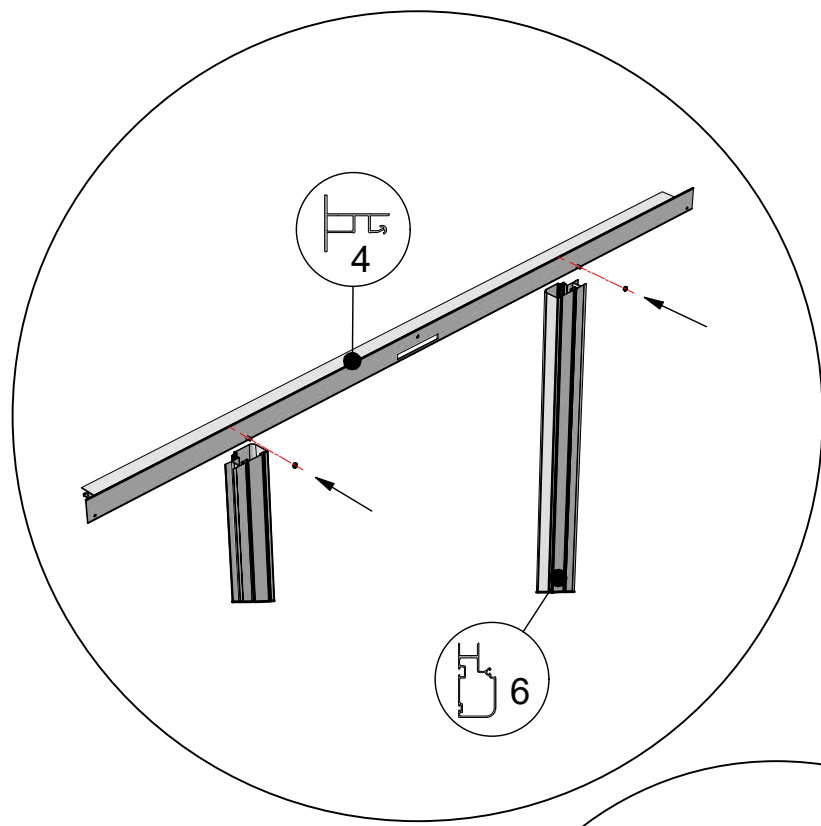





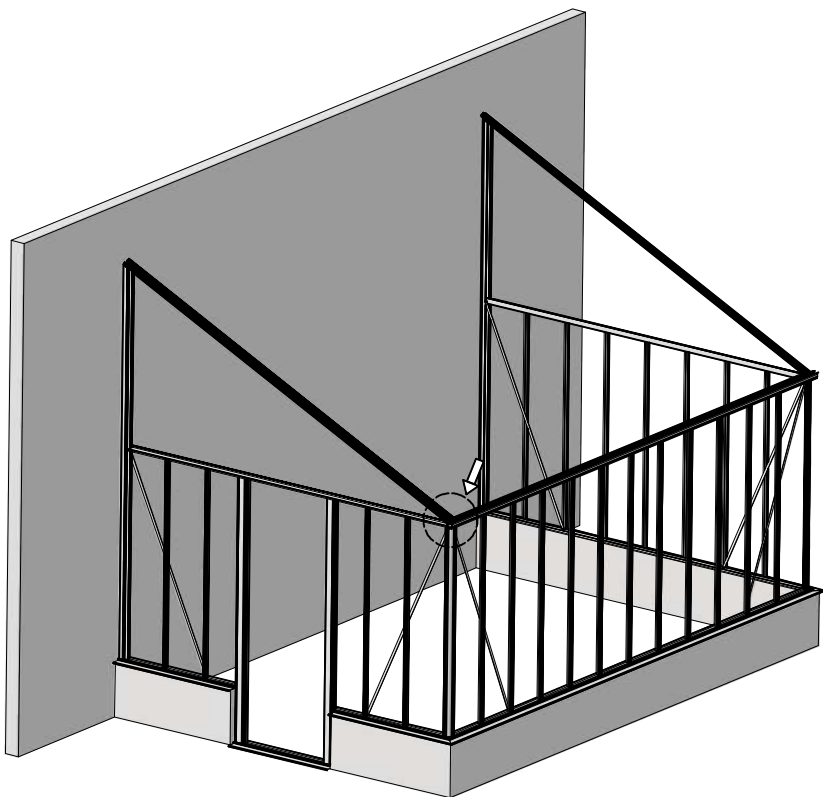
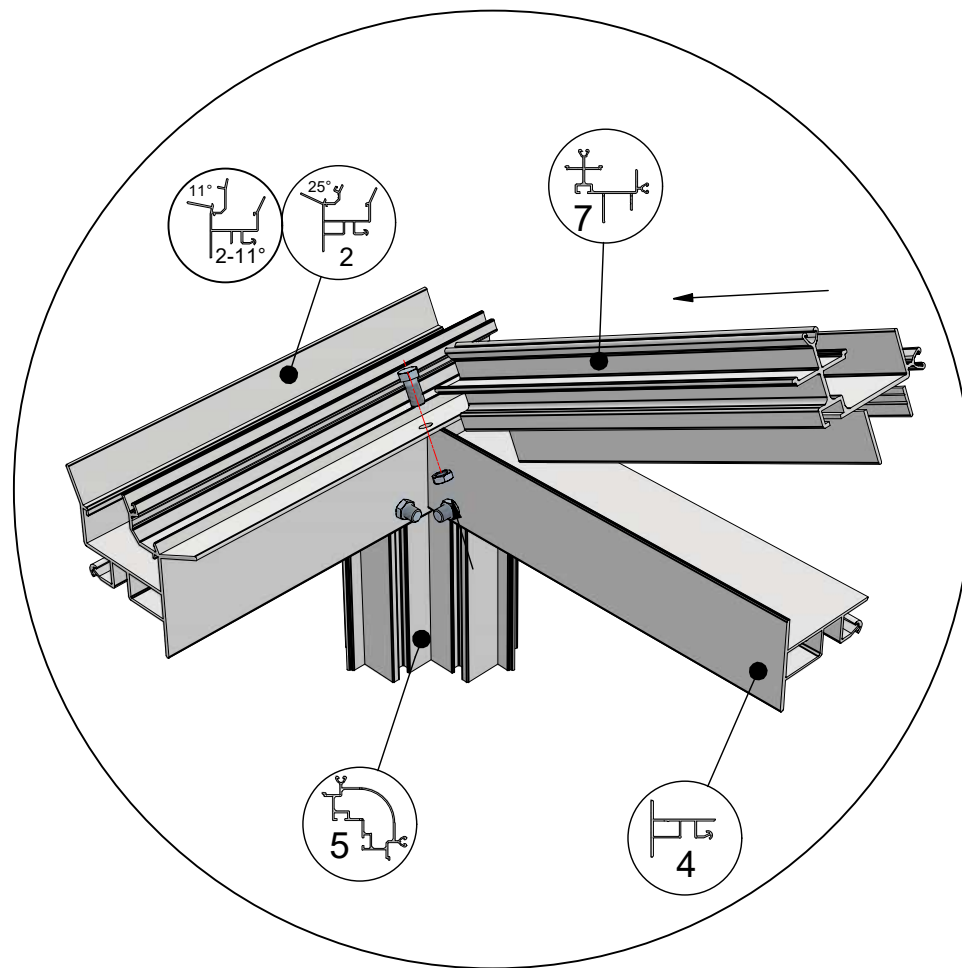
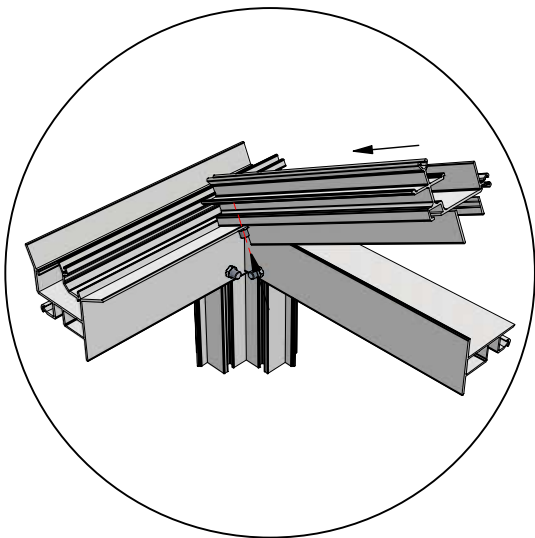
 = M6x12




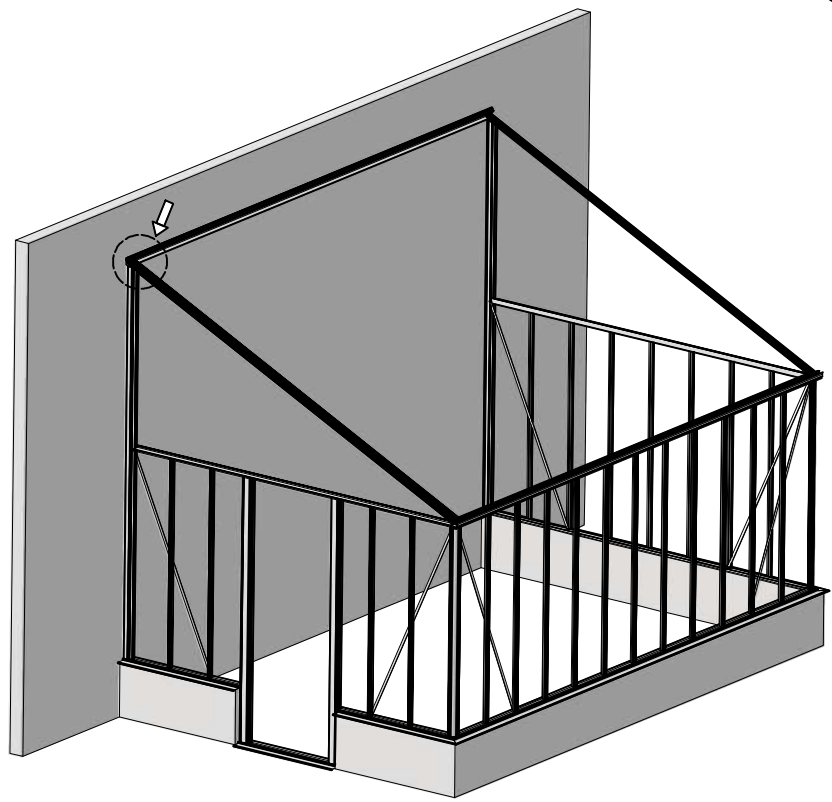
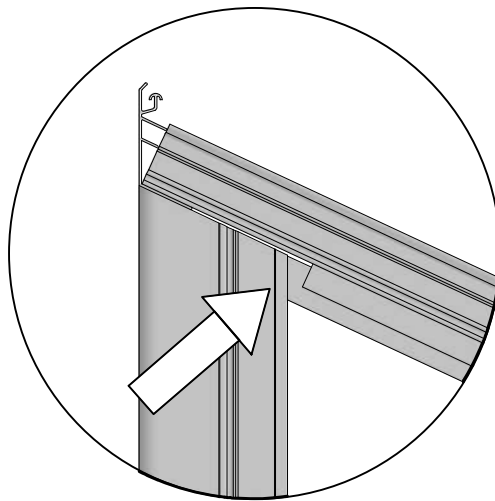
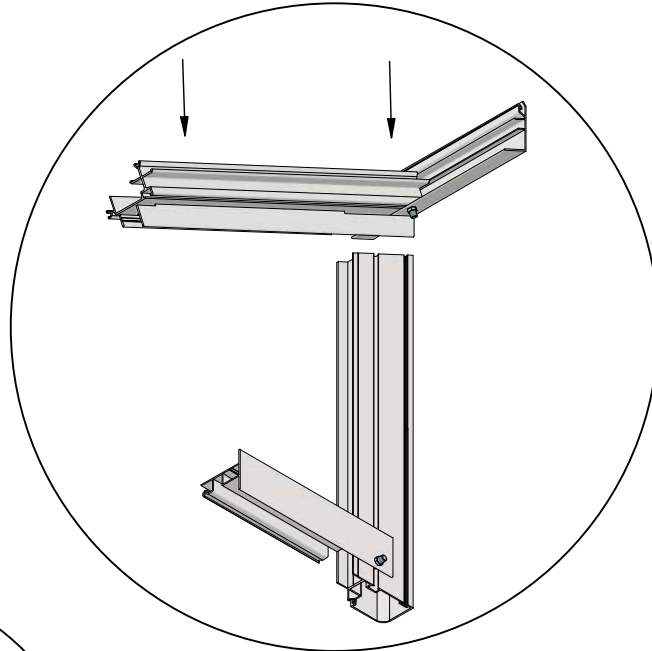
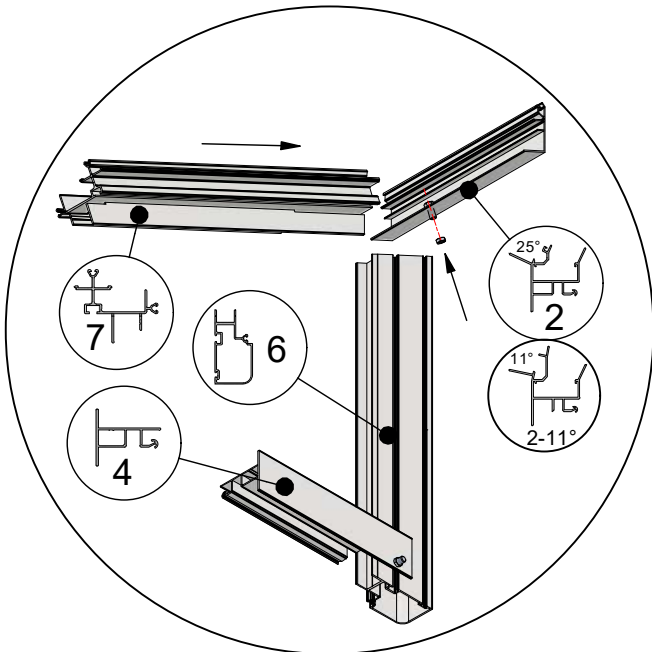
 = M6x12

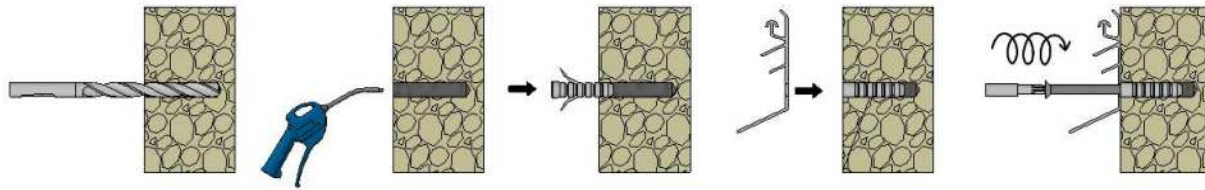


 = M6x12

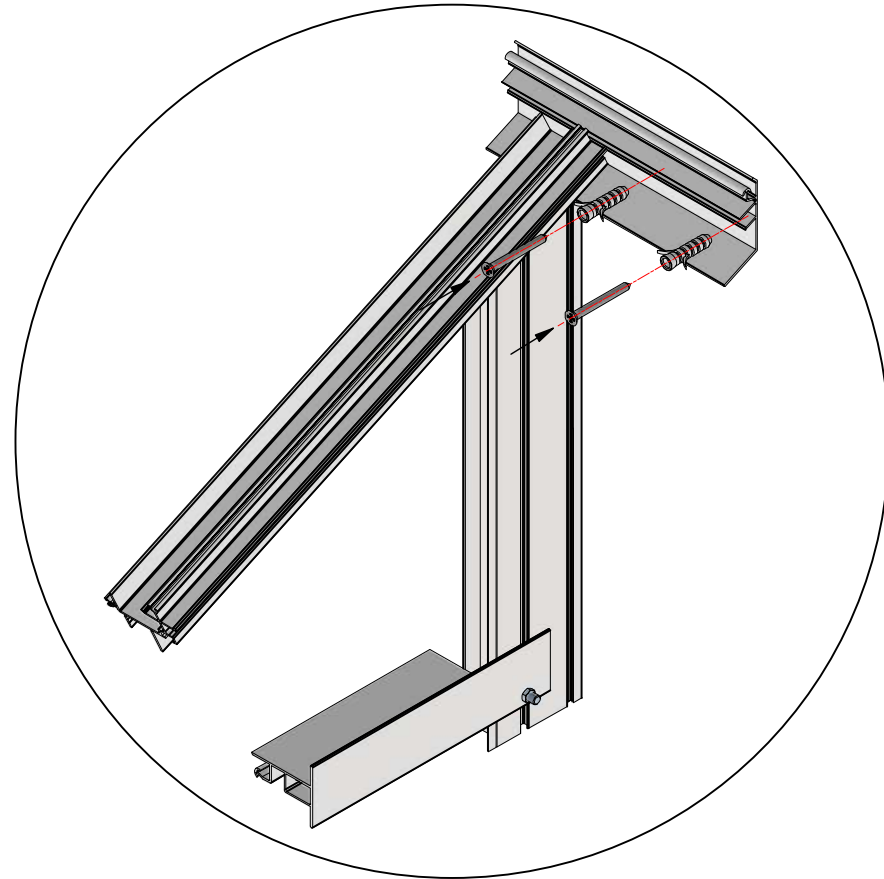
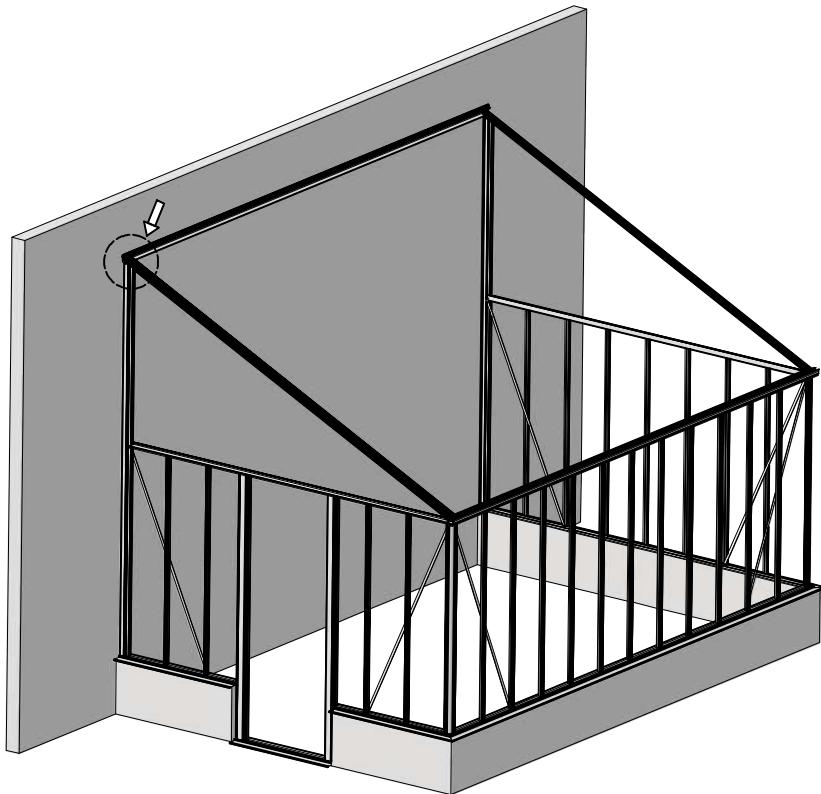
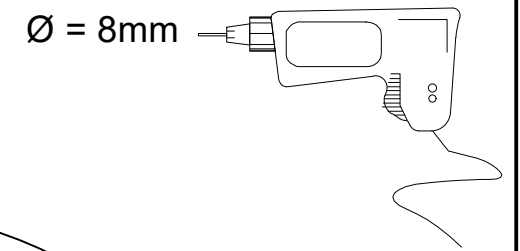


 = M6x12

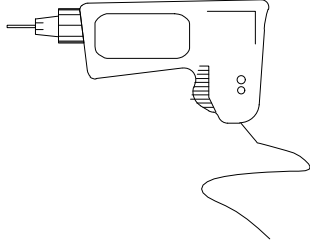


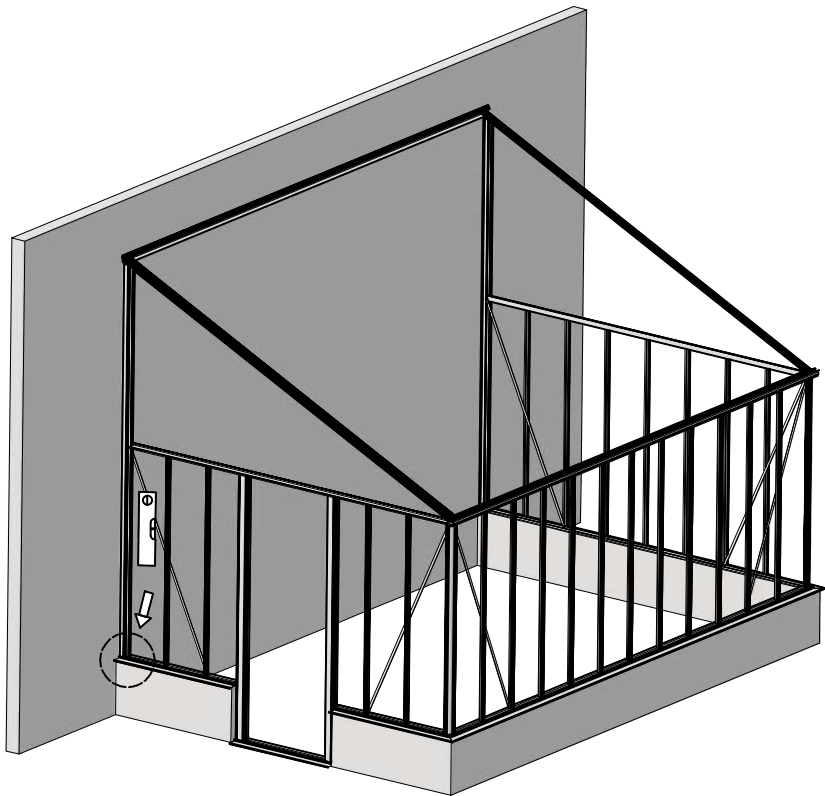
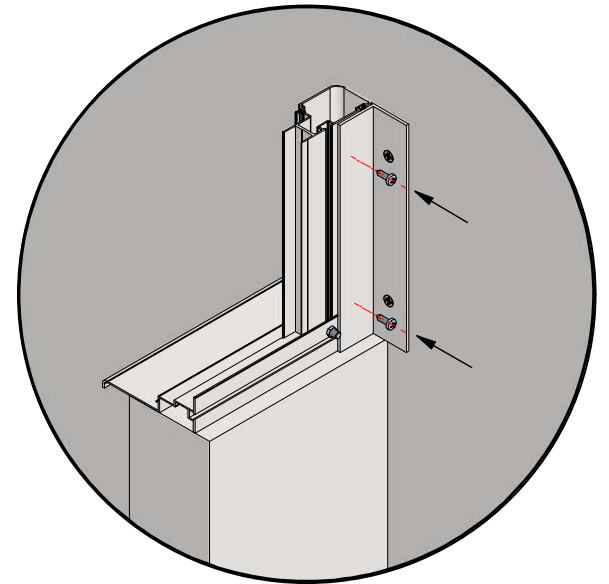
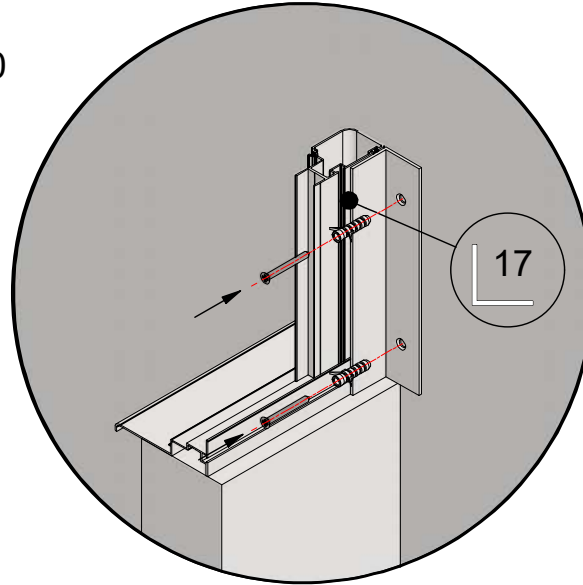


 = 8x40  = M5x60

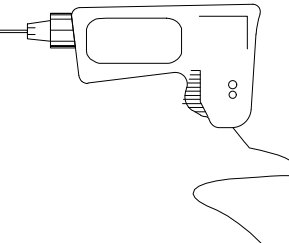


 = 8x40   = M5x60

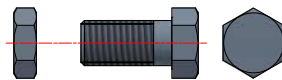
Ø = 8mm 

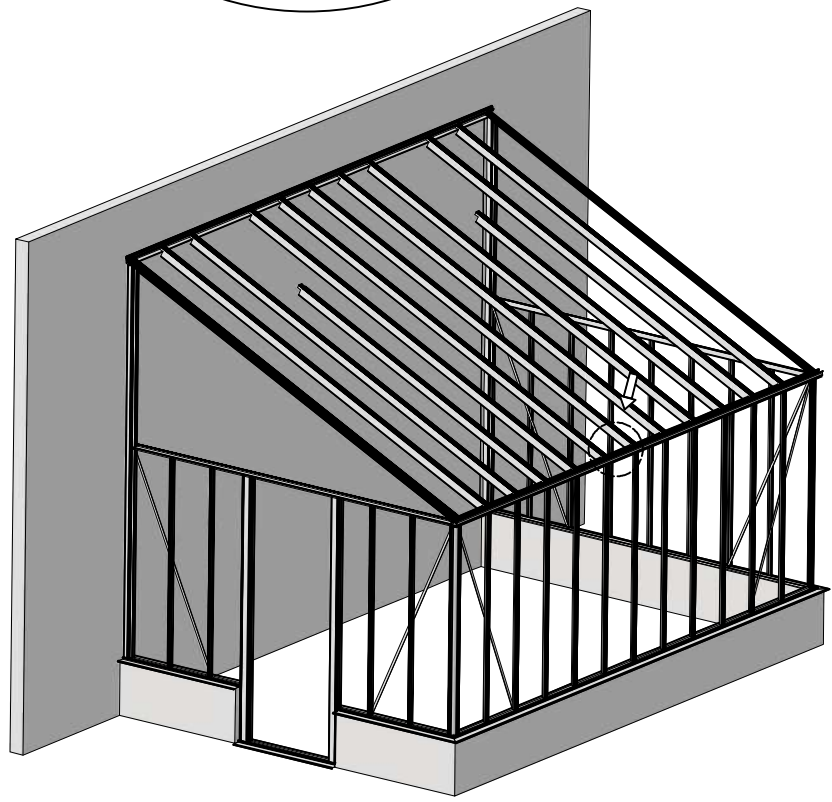
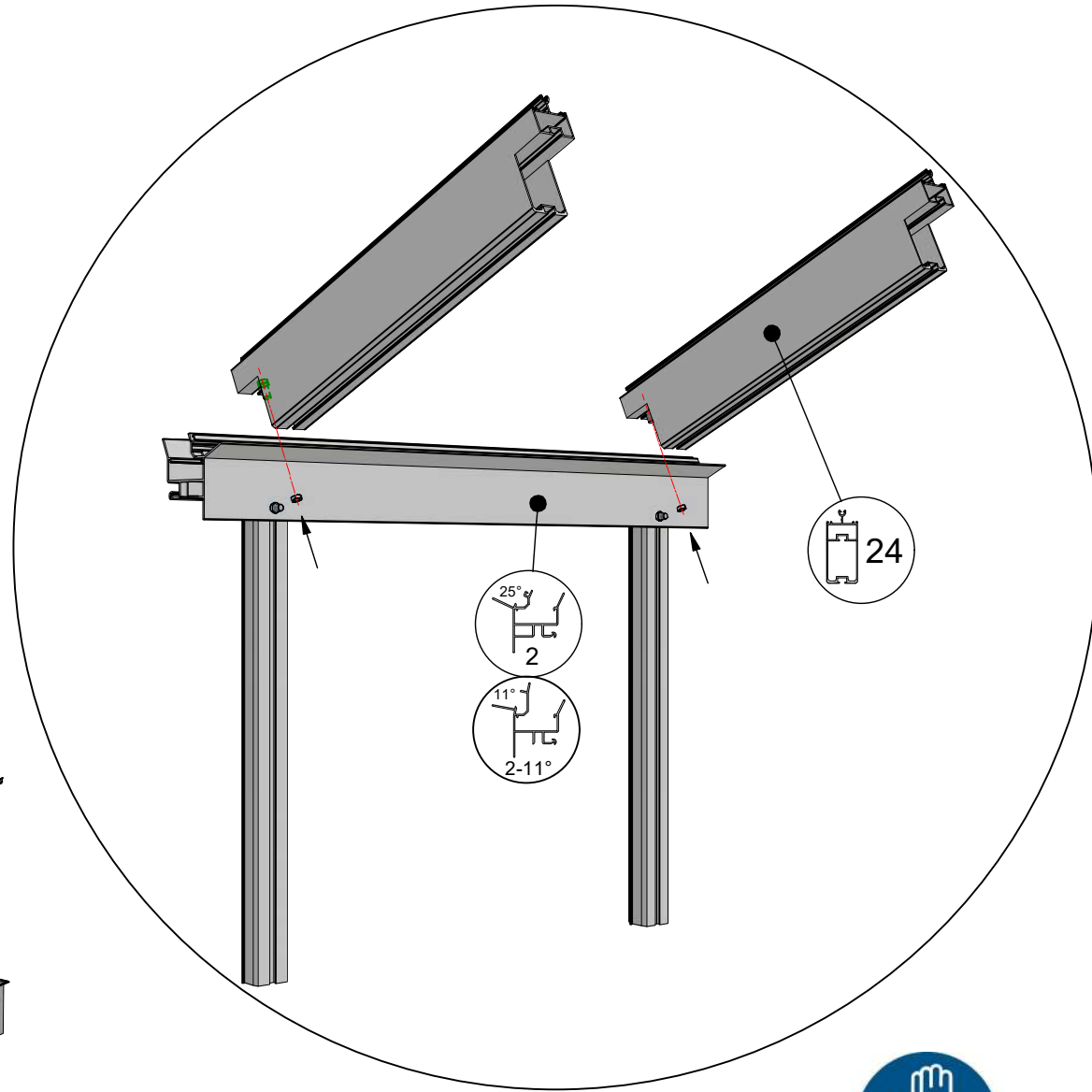
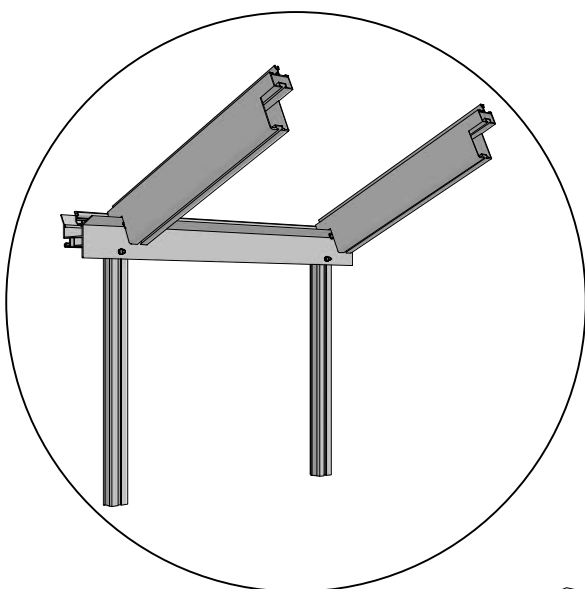


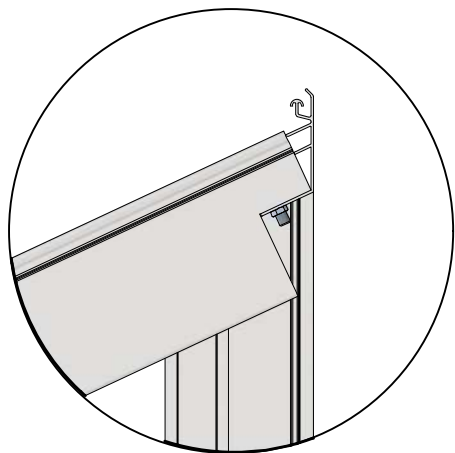
  = 4,8x16

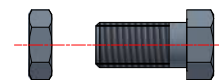
Ø = 4mm 

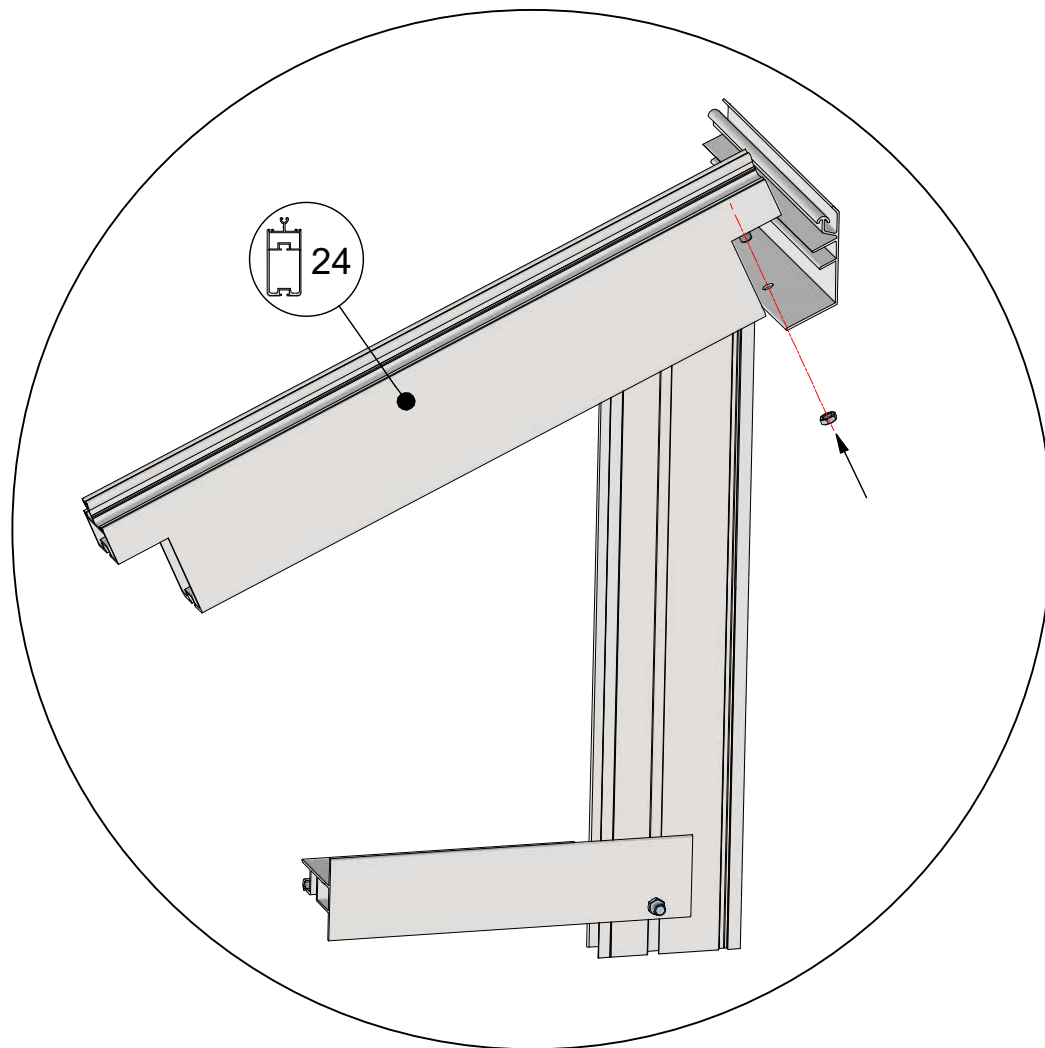
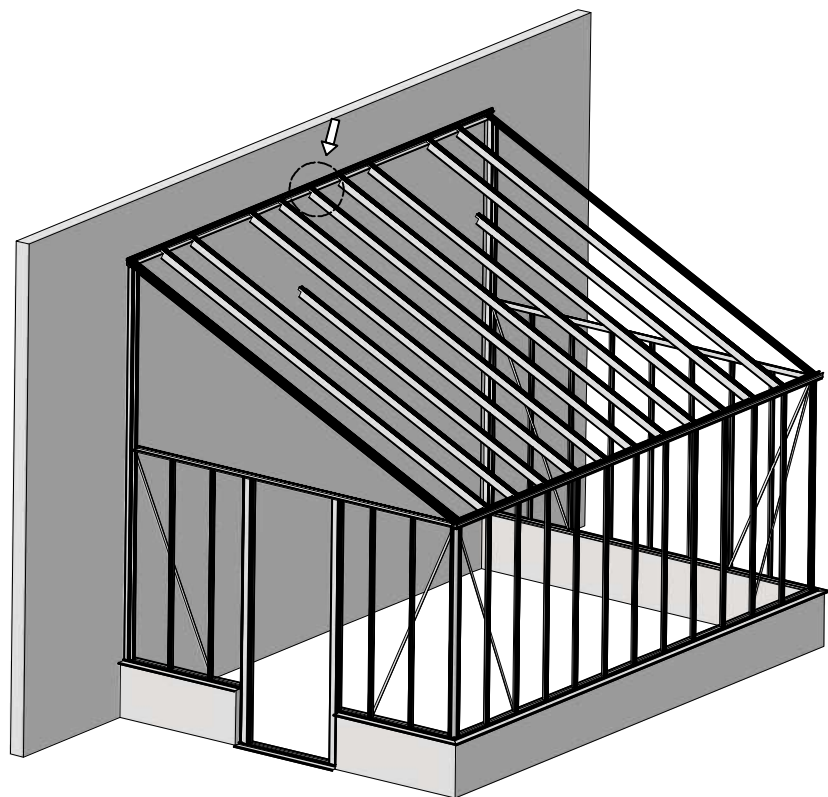


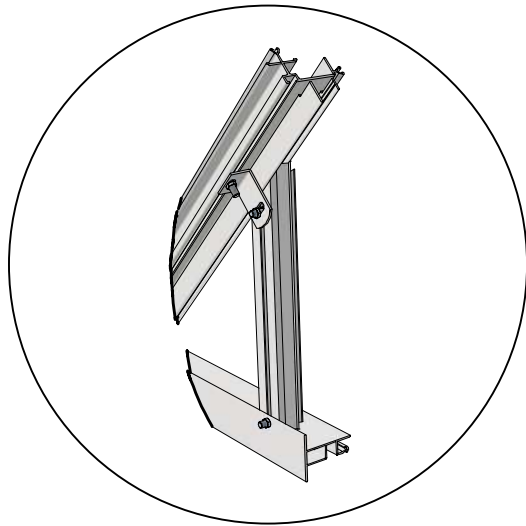
 = M6x12

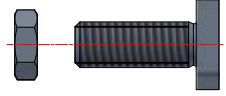



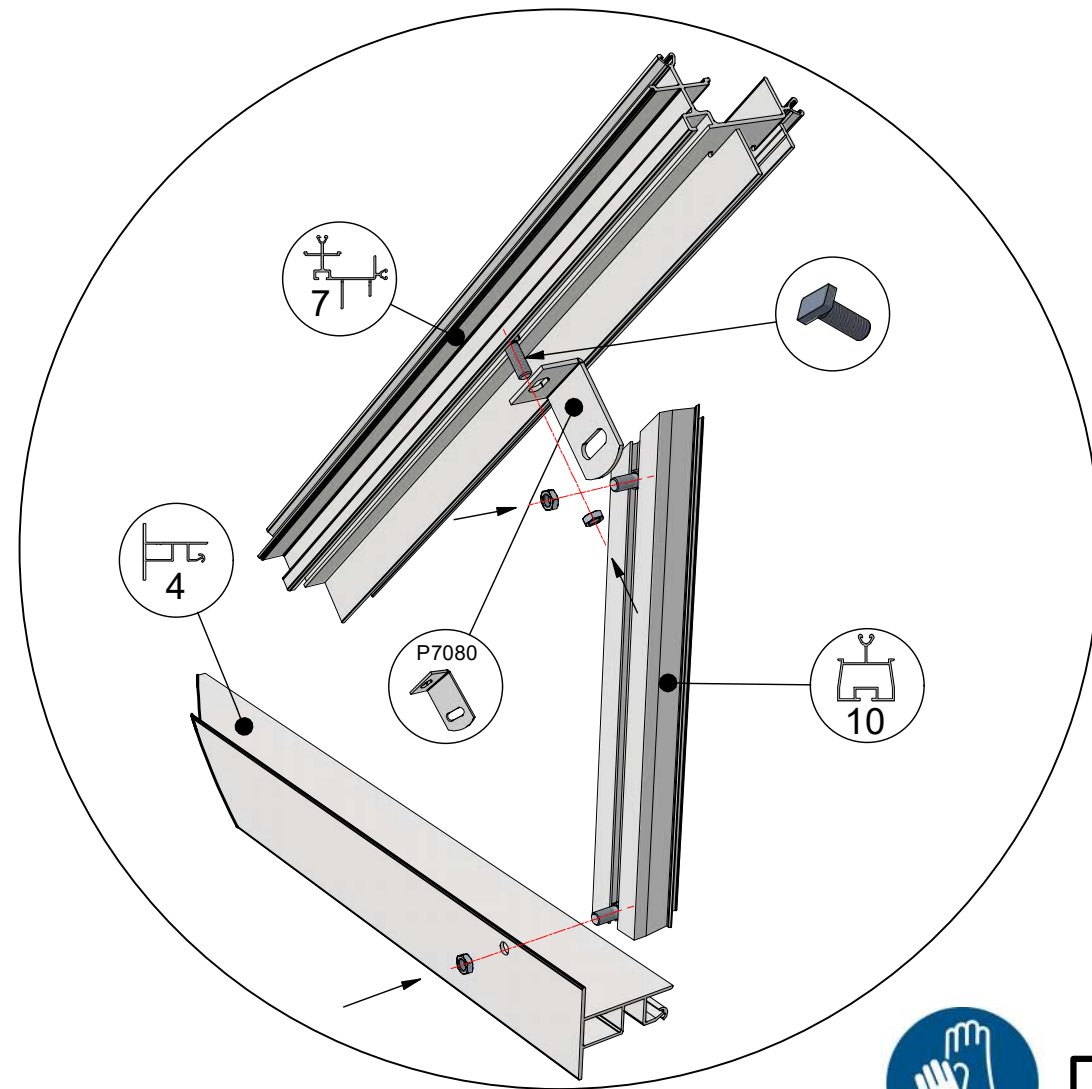
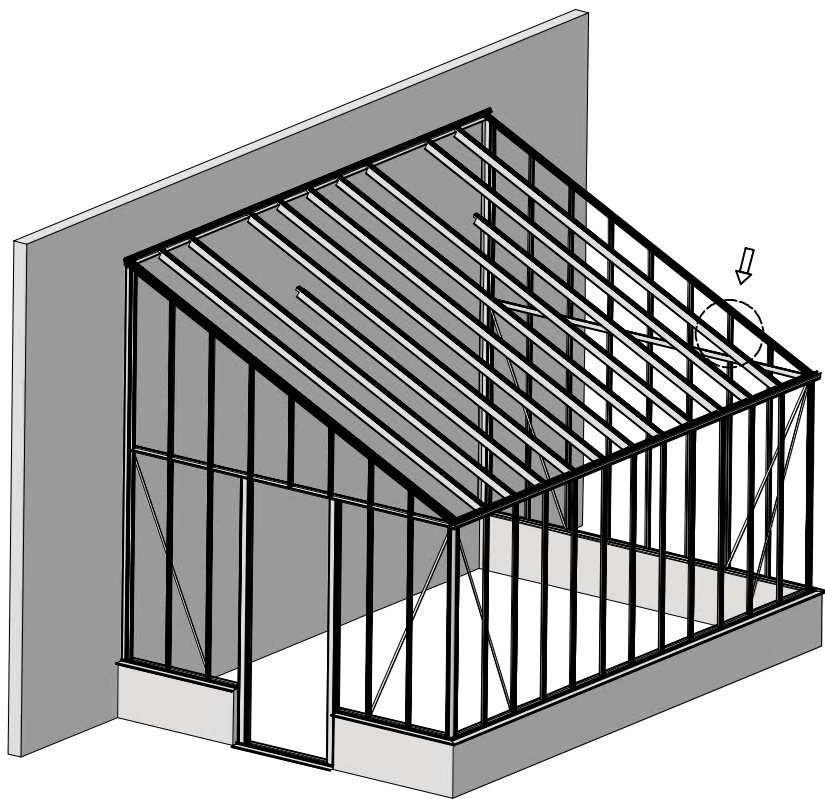


 = M6x12

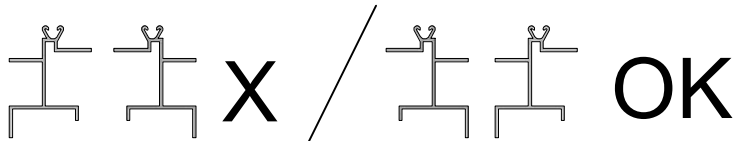
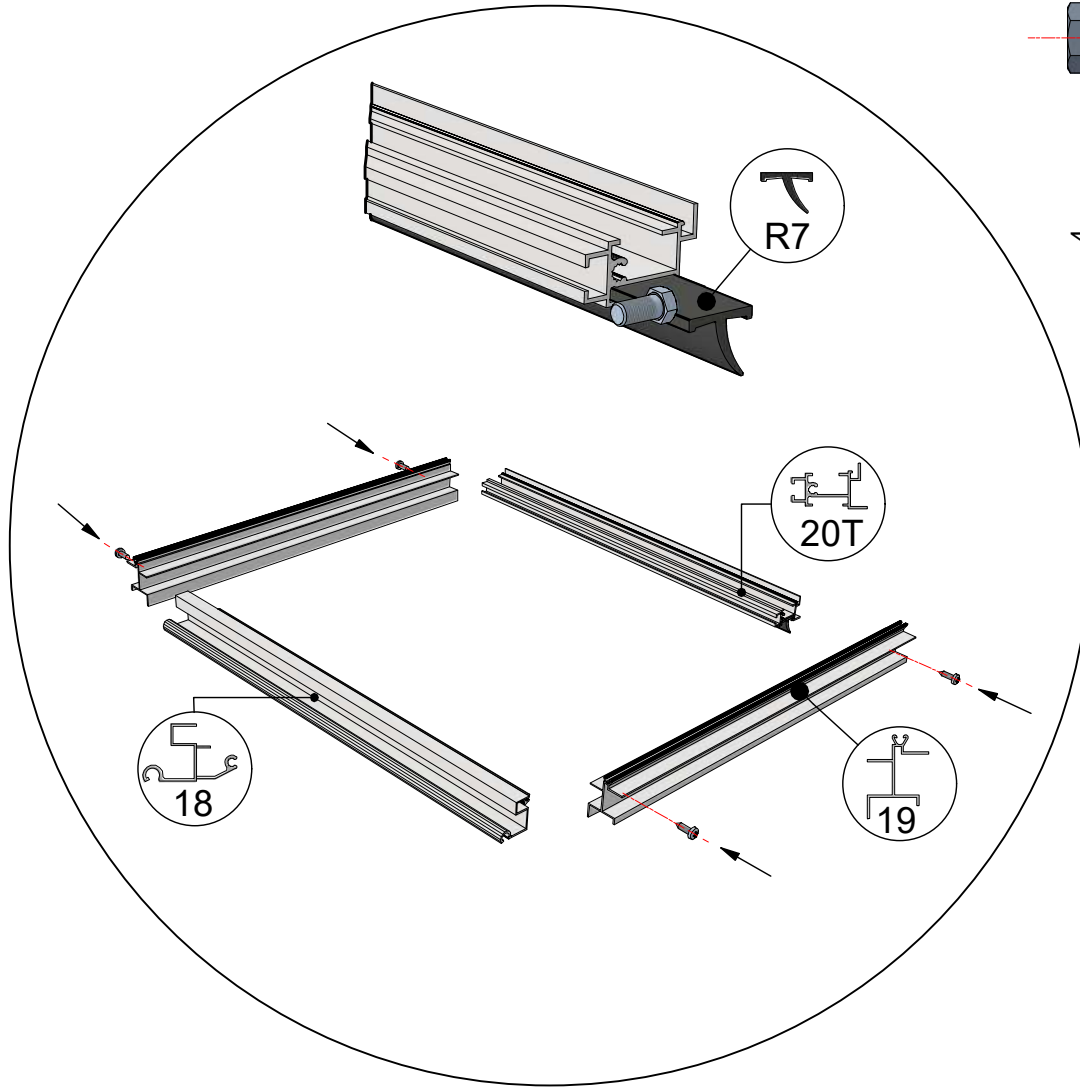
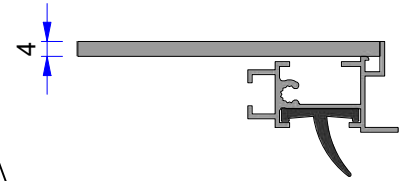
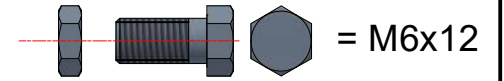
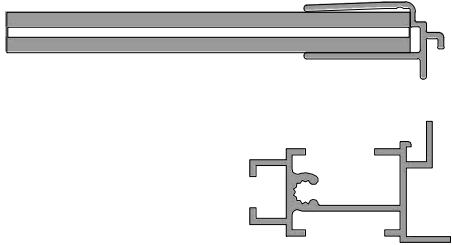


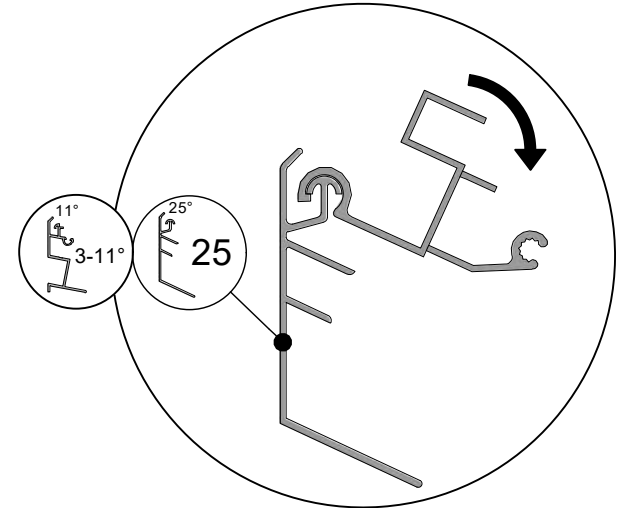
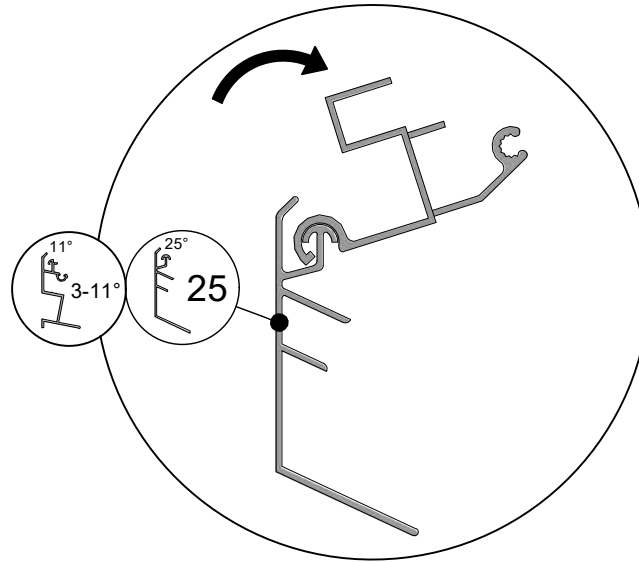
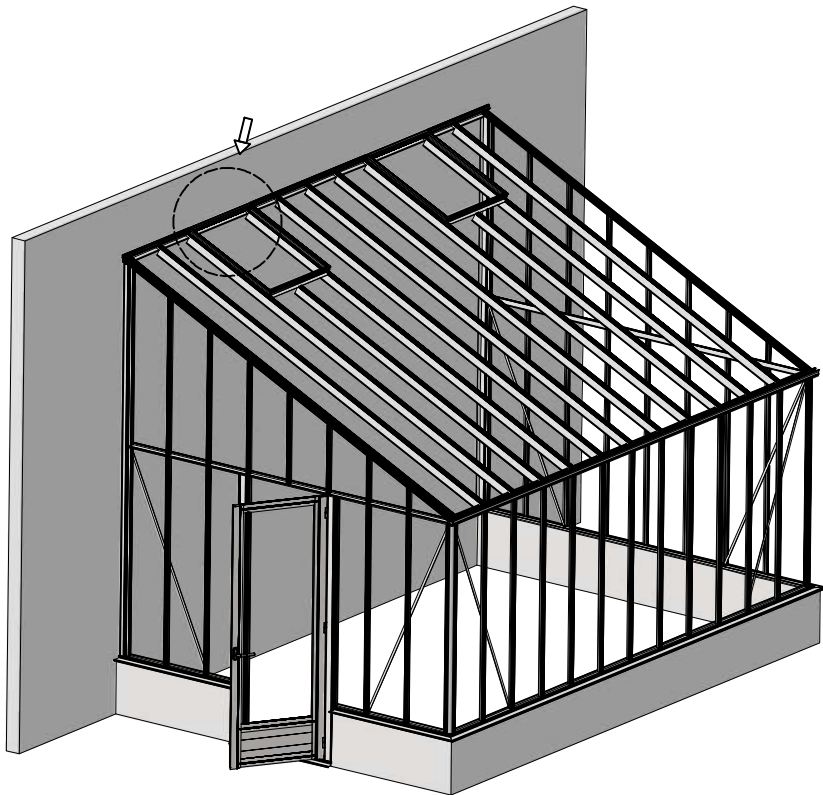


 = M6x16
 = M6x12

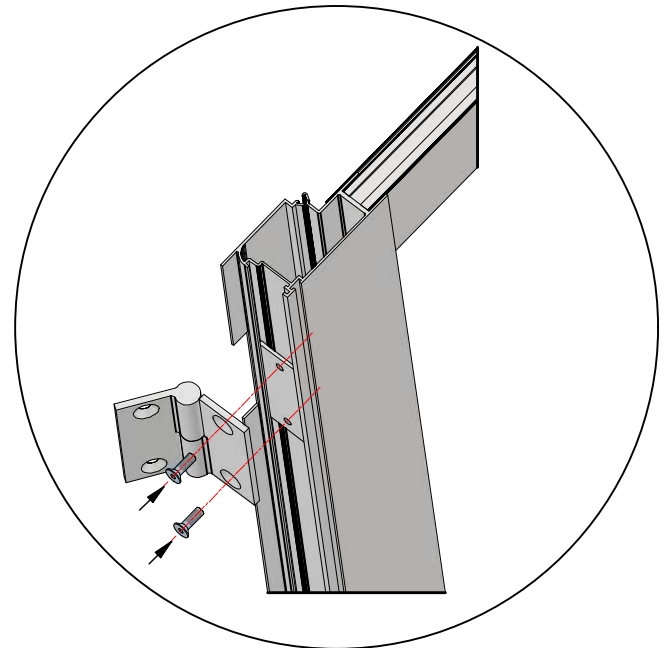
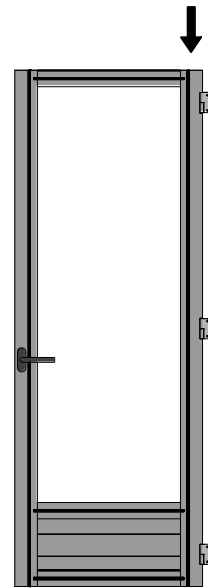
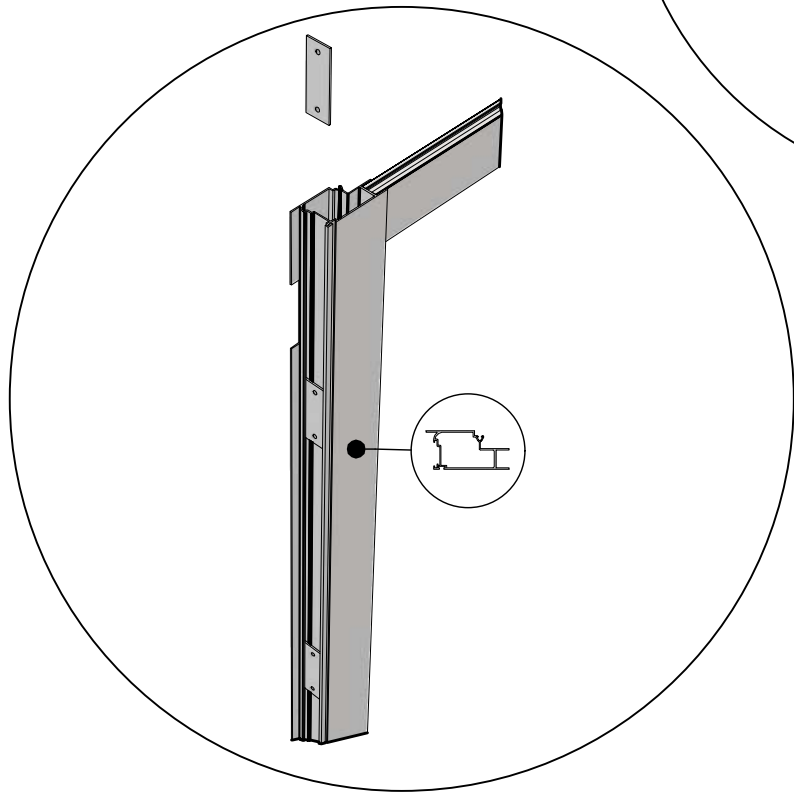
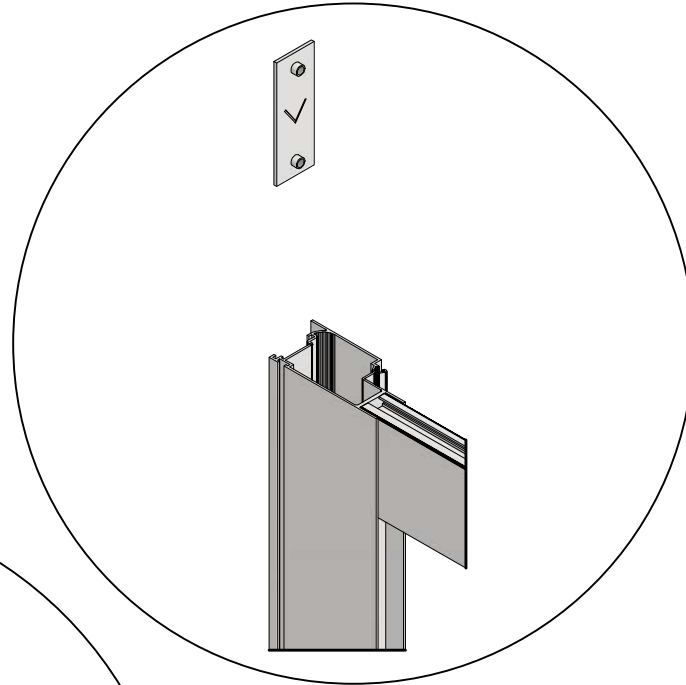


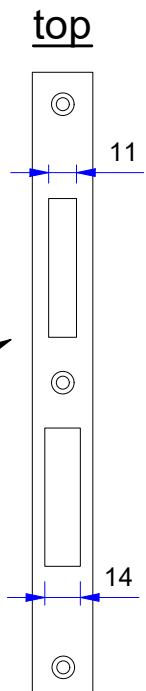
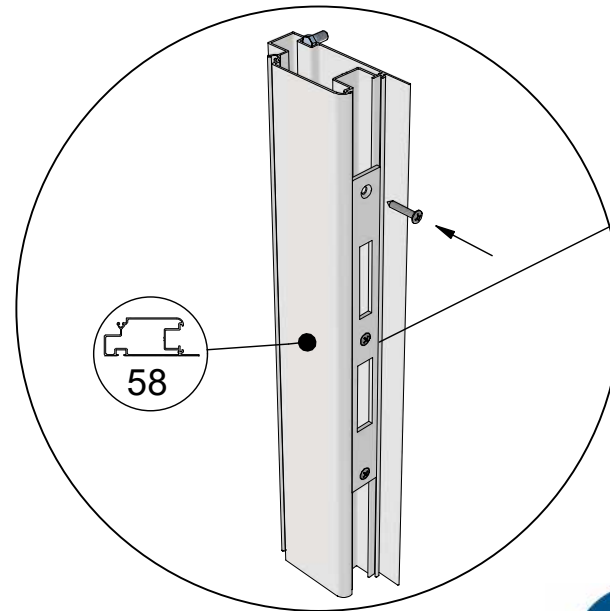
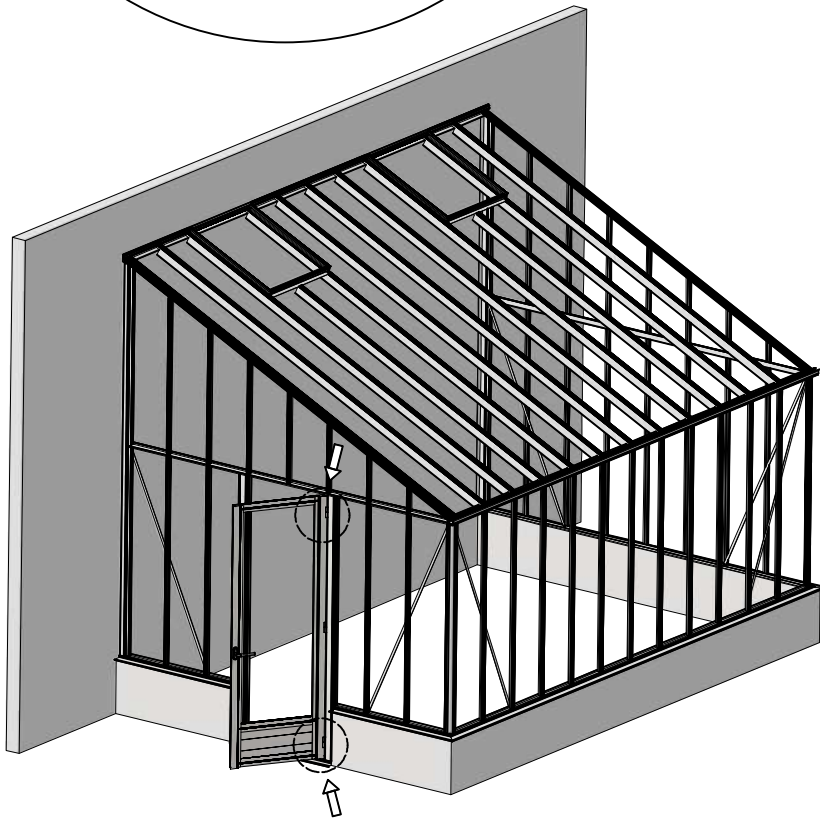
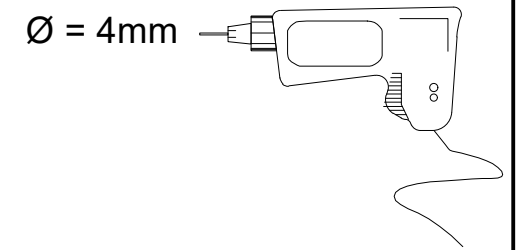
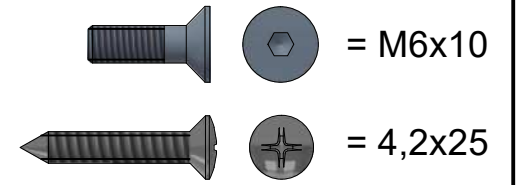
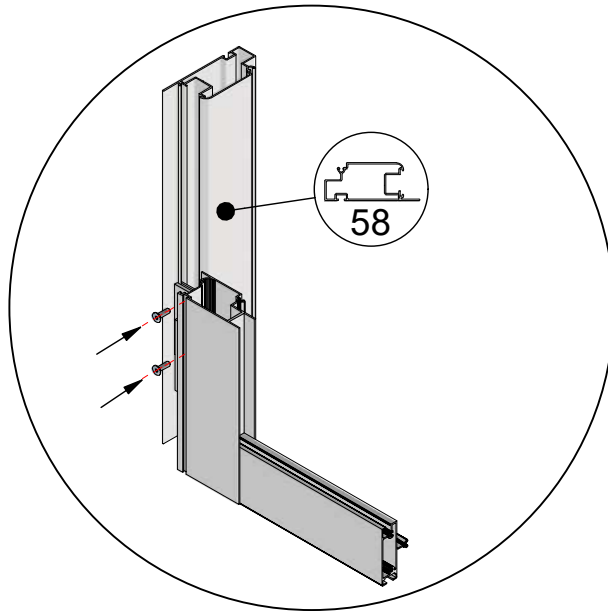
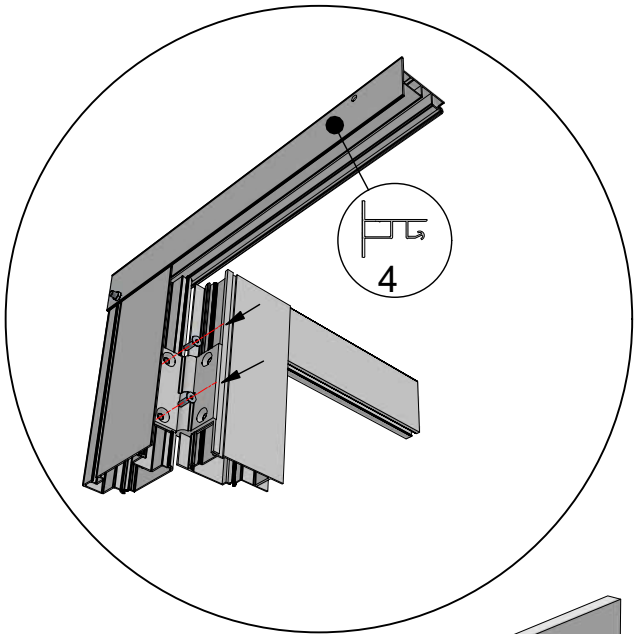
Poly





 = M6x10





Glass Dimensions Nv Euro-serre		Muurserre special on wall 3,07m 11° GlassH: 1650			Wall H : 430				
Glass Size 730mm	Sides			Roof	Size Length x Wide			m ²	m ²
	1650 x 360	1650 x 290	1615 x 730	3073 x 360	2233 x 360	825 x 730			
Muurserre special on wall 3,07m x 3,09m	20	2	1	6	2	1		14,0	8,8
Muurserre special on wall 3,07m x 3,80m	22	2	1	6	4	2		15,2	11,1
Muurserre special on wall 3,07m x 4,57m	24	2	1	8	4	2		16,4	13,3
Muurserre special on wall 3,07m x 5,30m	26	2	1	8	6	3		17,6	15,5
Muurserre special on wall 3,07m x 6,04m	28	2	1	10	6	3		18,8	17,7
Muurserre special on wall 3,07m x 6,77m	30	2	1	12	6	3		20,0	19,9
Muurserre special on wall 3,07m x 7,53m	32	2	1	12	8	4		21,1	22,1
Muurserre special on wall 3,07m x 8,30m	34	2	1	14	8	4		22,3	24,3
Points								1,89	m ²

Glass Dimensions Nv Euro-serre		Muurserre special on wall 3,07m 11° GlassH: 1450			Wall H : 630				
Glass Size 730mm	Sides			Roof	Size Length x Wide			m ²	m ²
	1450 x 360	1450 x 290	1350 x 730	3073 x 360	2233 x 360	825 x 730			
Muurserre special on wall 3,07m x 3,09m	20	2	1	6	2	1		12,3	8,8
Muurserre special on wall 3,07m x 3,80m	22	2	1	6	4	2		13,3	11,1
Muurserre special on wall 3,07m x 4,57m	24	2	1	8	4	2		14,4	13,3
Muurserre special on wall 3,07m x 5,30m	26	2	1	8	6	3		15,4	15,5
Muurserre special on wall 3,07m x 6,04m	28	2	1	10	6	3		16,4	17,7
Muurserre special on wall 3,07m x 6,77m	30	2	1	12	6	3		17,5	19,9
Muurserre special on wall 3,07m x 7,53m	32	2	1	12	8	4		18,5	22,1
Muurserre special on wall 3,07m x 8,30m	34	2	1	14	8	4		19,6	24,3
Points								1,89	m ²

Glass Dimensions Nv Euro-serre		Muurserre special on wall 3,07m 11° GlassH: 1250			Wall H : 830			
Glass Size 730mm	Sides		Size Lenght x Wide	Roof	Size Lenght x Wide		m²	m²
	1250 x 360	1250 x 290	1175 x 730	3073 x 360	2233 x 360	825 x 730		
Muurserre special on wall 3,07m x 3,09m	20	2	1	6	2	1	10,6	8,8
Muurserre special on wall 3,07m x 3,80m	22	2	1	6	4	2	11,5	11,1
Muurserre special on wall 3,07m x 4,57m	24	2	1	8	4	2	12,4	13,3
Muurserre special on wall 3,07m x 5,30m	26	2	1	8	6	3	13,3	15,5
Muurserre special on wall 3,07m x 6,04m	28	2	1	10	6	3	14,2	17,7
Muurserre special on wall 3,07m x 6,77m	30	2	1	12	6	3	15,1	19,9
Muurserre special on wall 3,07m x 7,53m	32	2	1	12	8	4	16,0	22,1
Muurserre special on wall 3,07m x 8,30m	34	2	1	14	8	4	16,9	24,3
Points							1,89 m²	
	1xL+1xR	1xL+1xR	1xL+1xR	1xL+1xR	1xL+1xR	1xL+1xR	1xL+1xR	1xL+1xR

Opgemaakt op 28-10-2022

Glass Dimensions Nv Euro-serre		Muurserre special on wall			3,07m	25°	GlassH: 1650			Wall H : 430	
Glass Size 730mm	Sides	Size Length x Wide			Roof	Size Length x Wide				m²	m²
	1650 x 360	1650 x 290	1615 x 730		3148 x 360	2308 x 360	825 x 730				
Muurserre special on wall	3,07m x 3,09m	20	2	1	6	2	1			14,0	9,1
Muurserre special on wall	3,07m x 3,80m	22	2	1	6	4	2			15,2	11,3
Muurserre special on wall	3,07m x 4,57m	24	2	1	8	4	2			16,4	13,6
Muurserre special on wall	3,07m x 5,30m	26	2	1	8	6	3			17,6	15,9
Muurserre special on wall	3,07m x 6,04m	28	2	1	10	6	3			18,8	18,1
Muurserre special on wall	3,07m x 6,77m	30	2	1	12	6	3			20,0	20,4
Muurserre special on wall	3,07m x 7,53m	32	2	1	12	8	4			21,1	22,7
Muurserre special on wall	3,07m x 8,30m	34	2	1	14	8	4			22,3	24,9
Points										3,01	m²
	1xL+1xR	1xL+1xR	1xL+1xR	1xL+1xR	1xL+1xR	1xL+1xR	1xL+1xR	1xL+1xR	1xL+1xR		
	15	140	248	361	467	583	690	803			
	137	245	358	465	580	685	800	909			
	377	360	360	360	360	360	360	360			

Glass Dimensions Nv Euro-serre		Muurserre special on wall			3,07m	25°	GlassH: 1450			Wall H : 630	
Glass Size 730mm	Sides	Size Length x Wide			Roof	Size Length x Wide				m²	m²
	1450 x 360	1450 x 290	1350 x 730		3148 x 360	2308 x 360	825 x 730				
Muurserre special on wall	3,07m x 3,09m	20	2	1	6	2	1			12,3	9,1
Muurserre special on wall	3,07m x 3,80m	22	2	1	6	4	2			13,3	11,3
Muurserre special on wall	3,07m x 4,57m	24	2	1	8	4	2			14,4	13,6
Muurserre special on wall	3,07m x 5,30m	26	2	1	8	6	3			15,4	15,9
Muurserre special on wall	3,07m x 6,04m	28	2	1	10	6	3			16,4	18,1
Muurserre special on wall	3,07m x 6,77m	30	2	1	12	6	3			17,5	20,4
Muurserre special on wall	3,07m x 7,53m	32	2	1	12	8	4			18,5	22,7
Muurserre special on wall	3,07m x 8,30m	34	2	1	14	8	4			19,6	24,9
Points										3,01	m²
	1xL+1xR	1xL+1xR	1xL+1xR	1xL+1xR	1xL+1xR	1xL+1xR	1xL+1xR	1xL+1xR	1xL+1xR		
	15	140	248	361	467	583	690	803			
	137	245	358	465	580	685	800	909			
	377	360	360	360	360	360	360	360			

Glass Dimensions Nv Euro-serre

Muurserre special on wall

3,07m

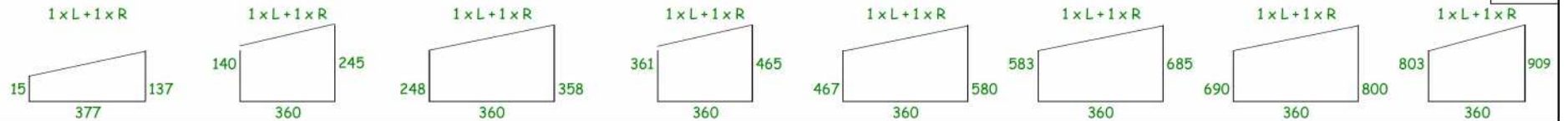
25°

GlassH: 1250

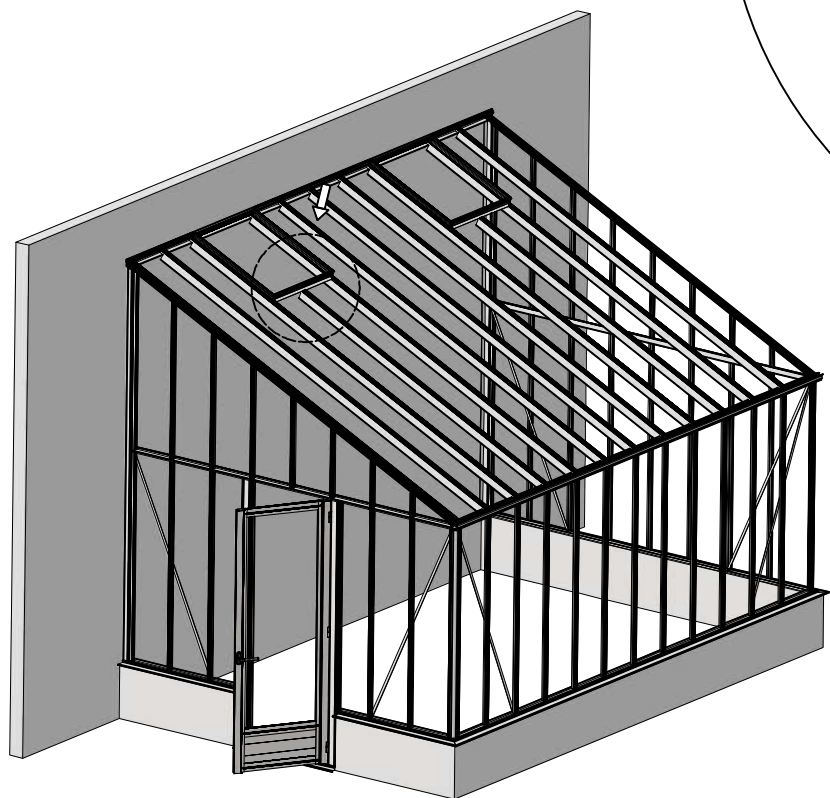
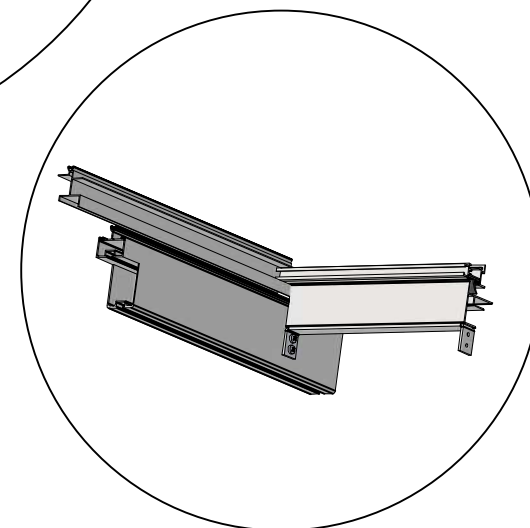
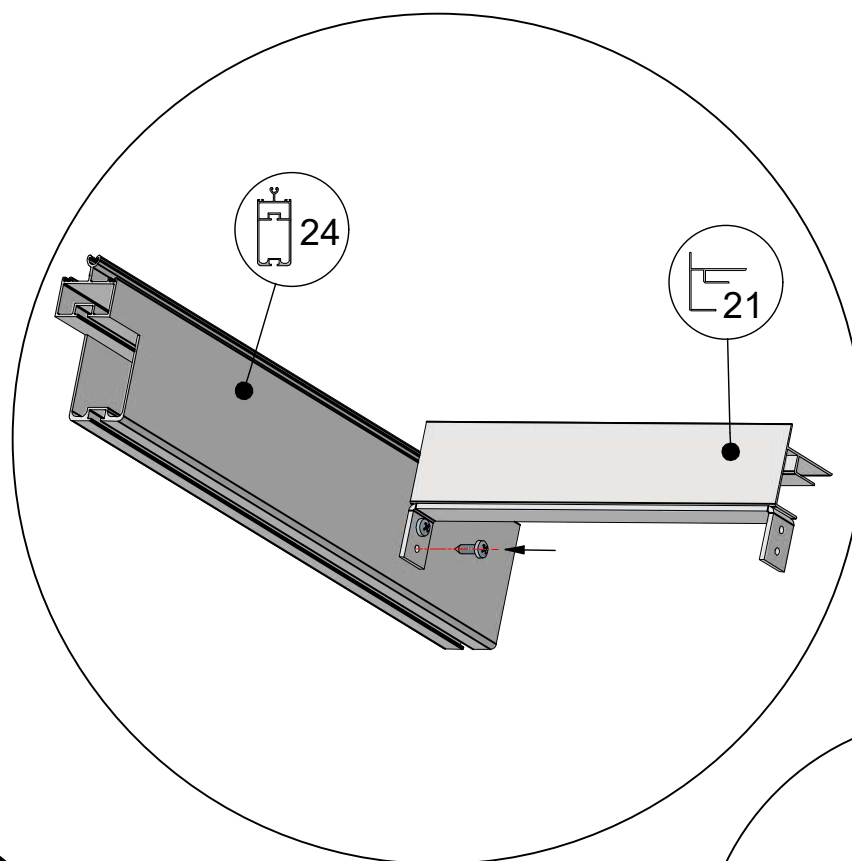
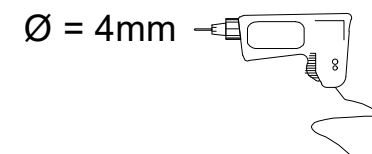
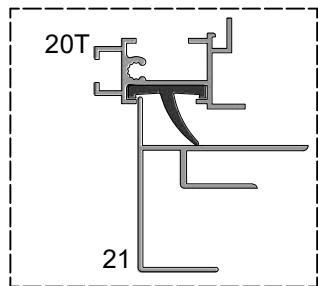
Wall H : 830

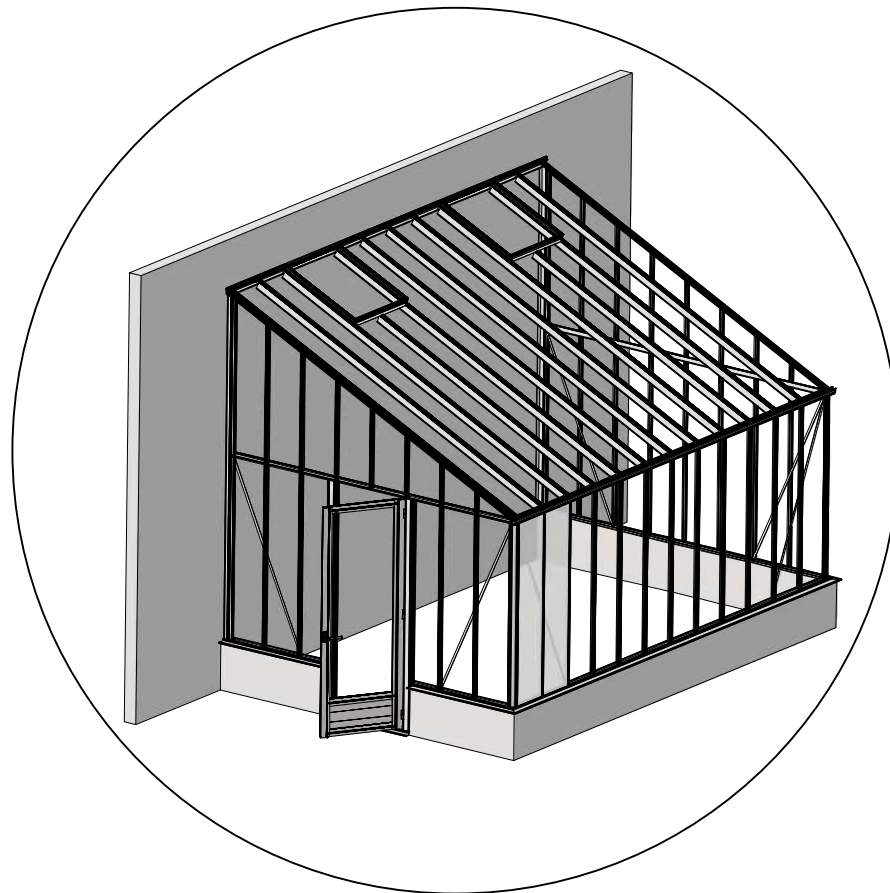
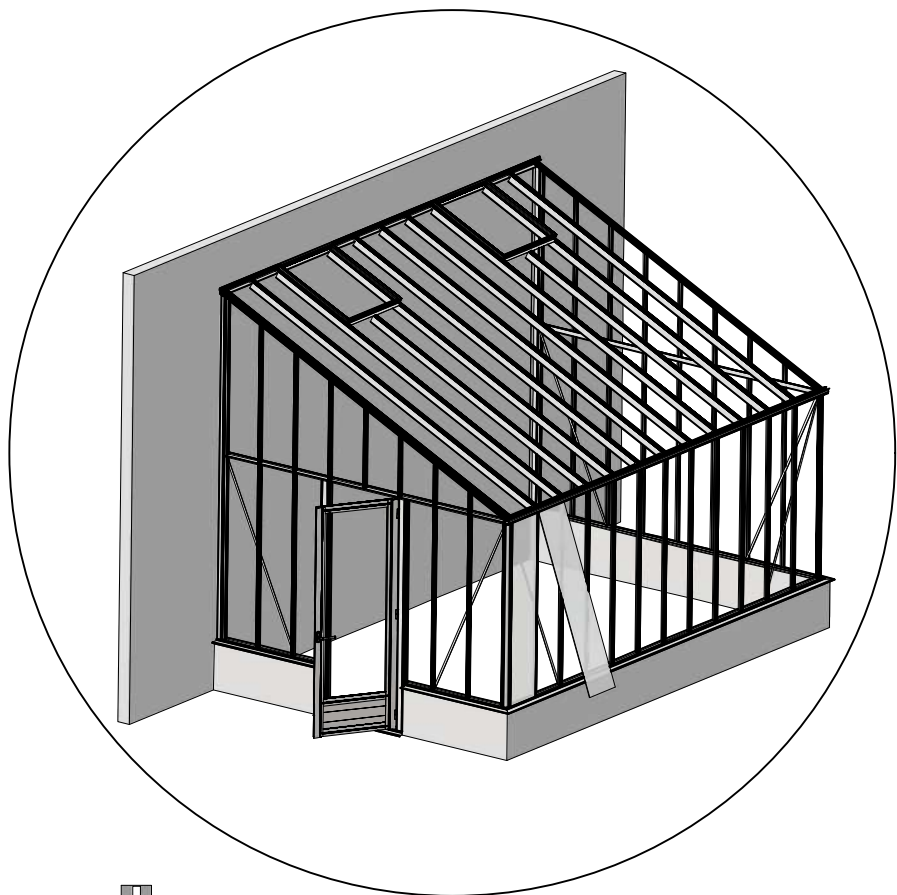
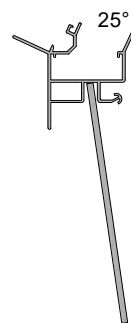
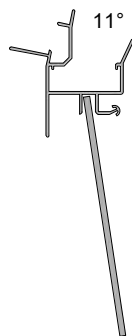
Glass Size 730mm	Sides			Size Lenght x Wide			Roof	Size Lenght x Wide			m²	m²
	1250 x 360	1250 x 290	1175 x 730	3148 x 360	2308 x 360	825 x 730						
Muurserre special on wall 3,07m x 3,09m	20	2	1	6	2	1					10,6	9,1
Muurserre special on wall 3,07m x 3,80m	22	2	1	6	4	2					11,5	11,3
Muurserre special on wall 3,07m x 4,57m	24	2	1	8	4	2					12,4	13,6
Muurserre special on wall 3,07m x 5,30m	26	2	1	8	6	3					13,3	15,9
Muurserre special on wall 3,07m x 6,04m	28	2	1	10	6	3					14,2	18,1
Muurserre special on wall 3,07m x 6,77m	30	2	1	12	6	3					15,1	20,4
Muurserre special on wall 3,07m x 7,53m	32	2	1	12	8	4					16,0	22,7
Muurserre special on wall 3,07m x 8,30m	34	2	1	14	8	4					16,9	24,9
												3,01 m²

Points

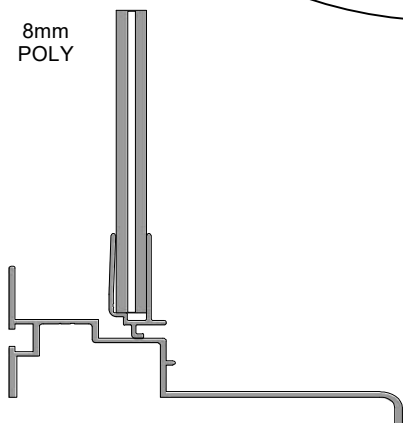


Opgemaakt op 28-10-2022

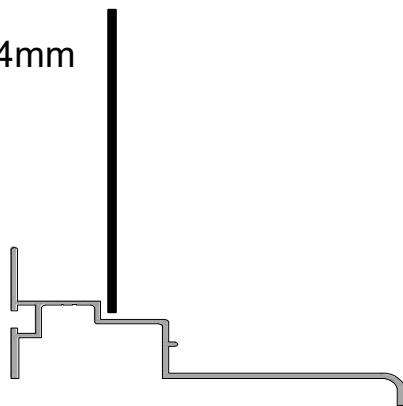


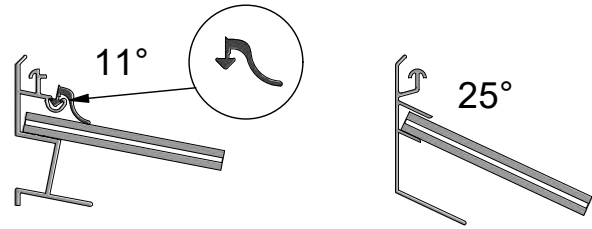


8mm
POLY

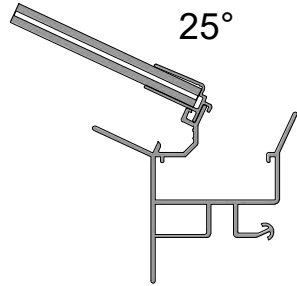
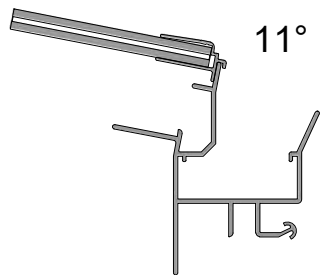


4mm

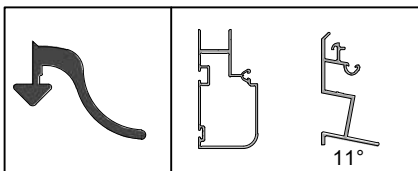
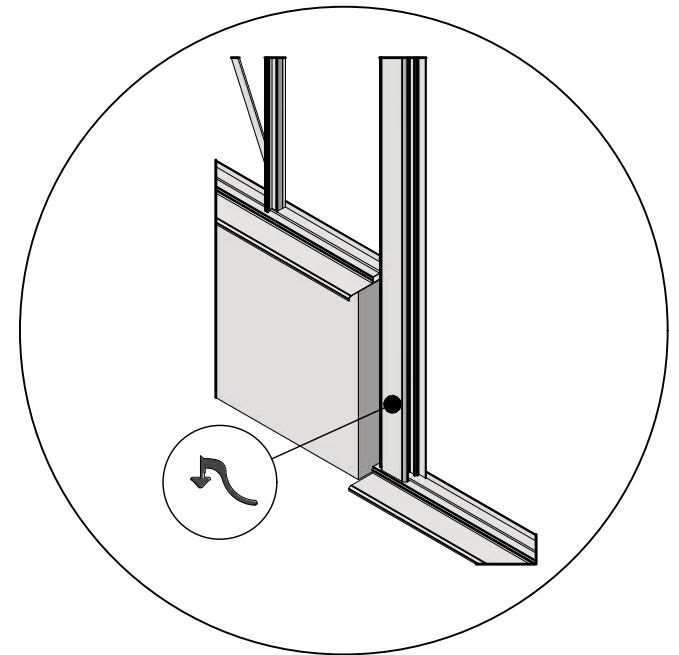
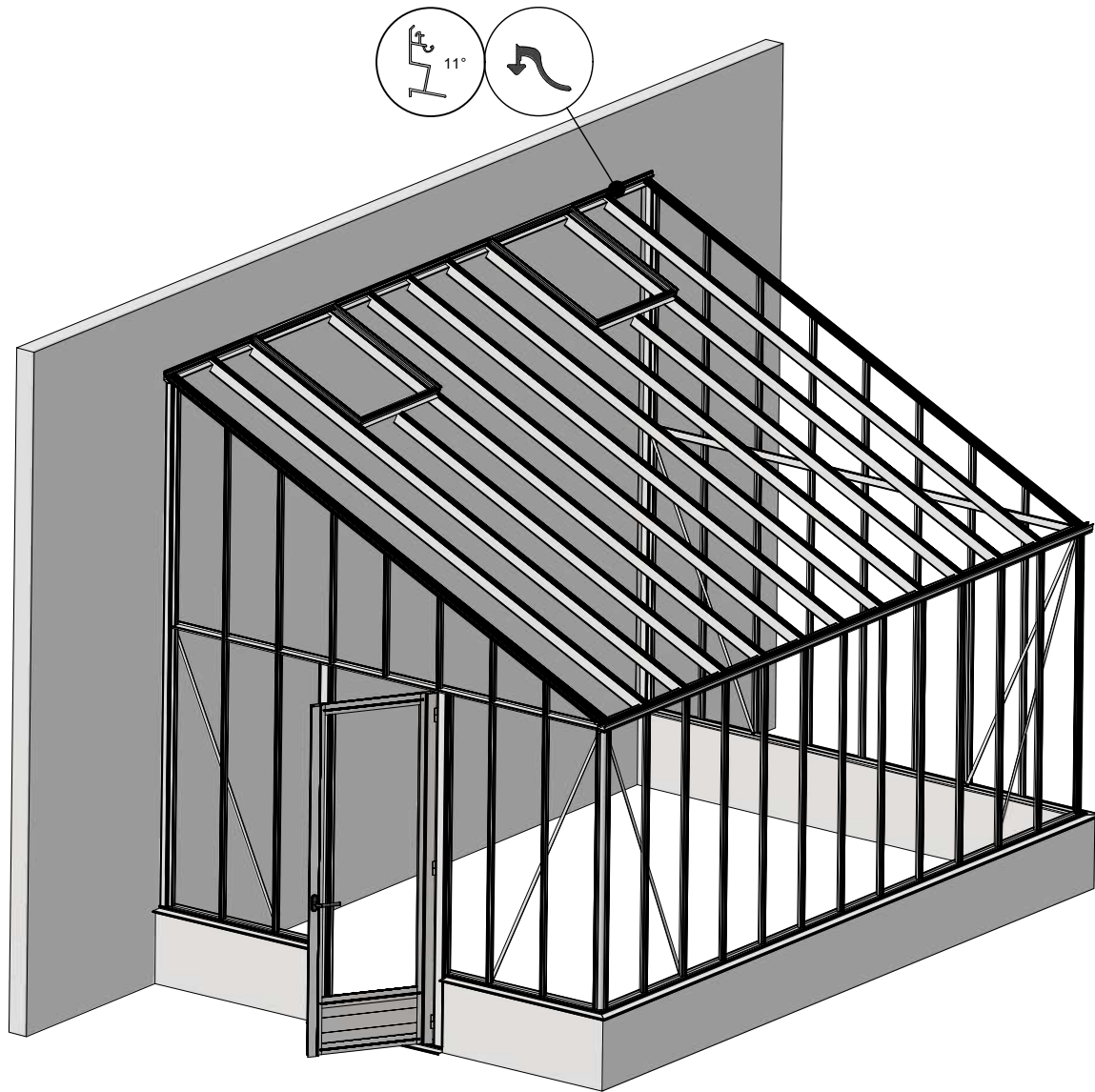


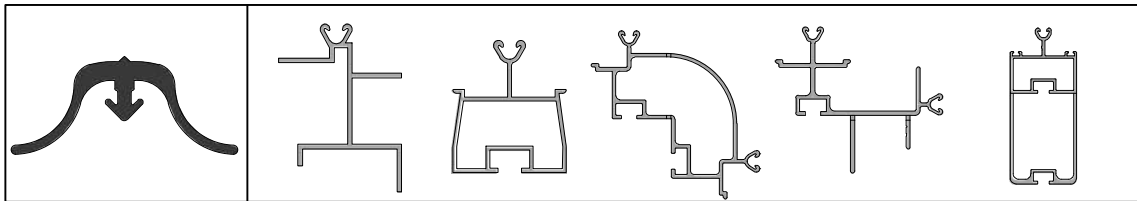
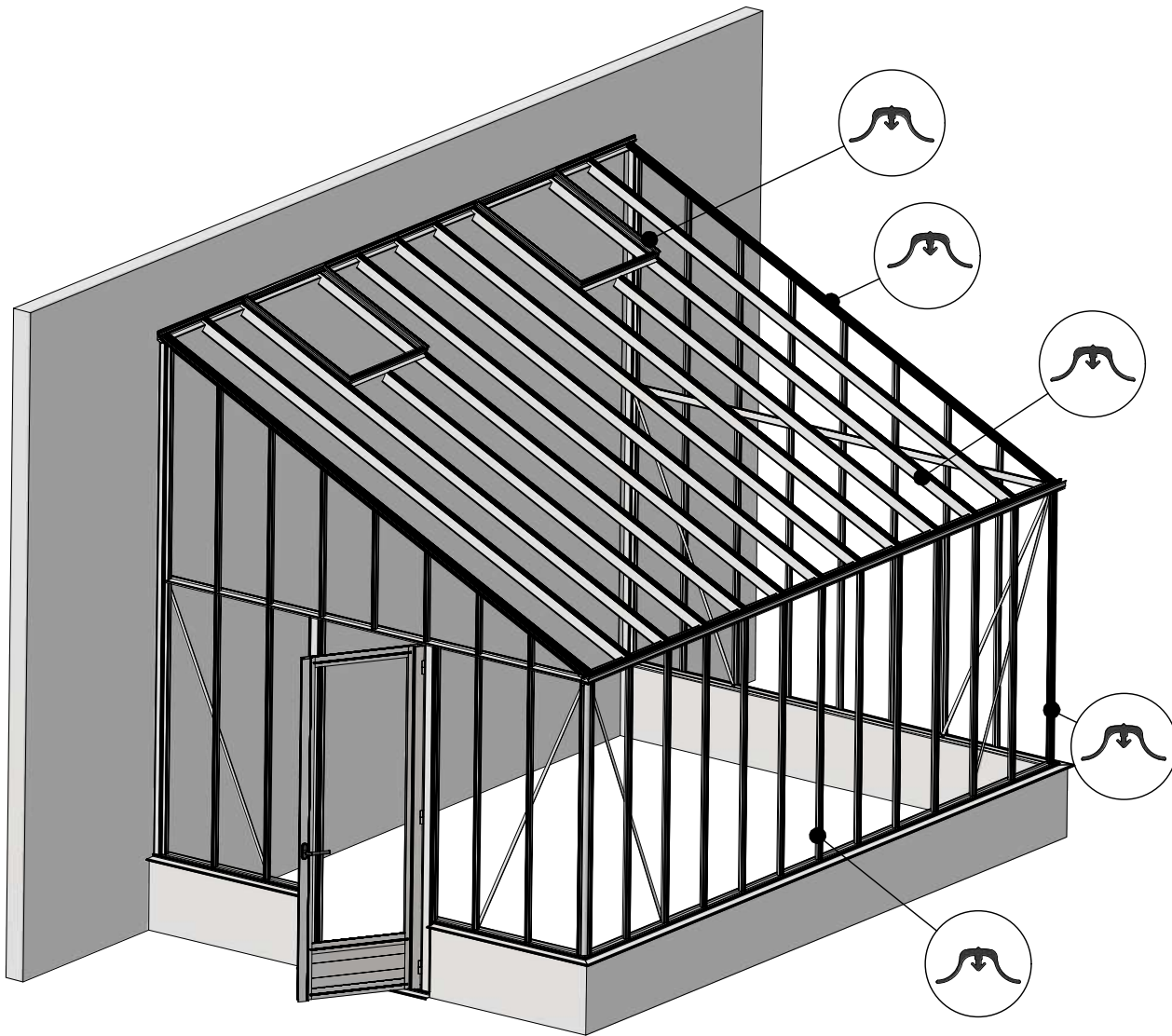


POLY

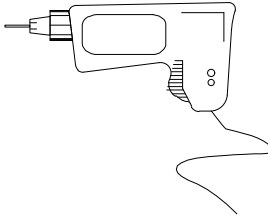


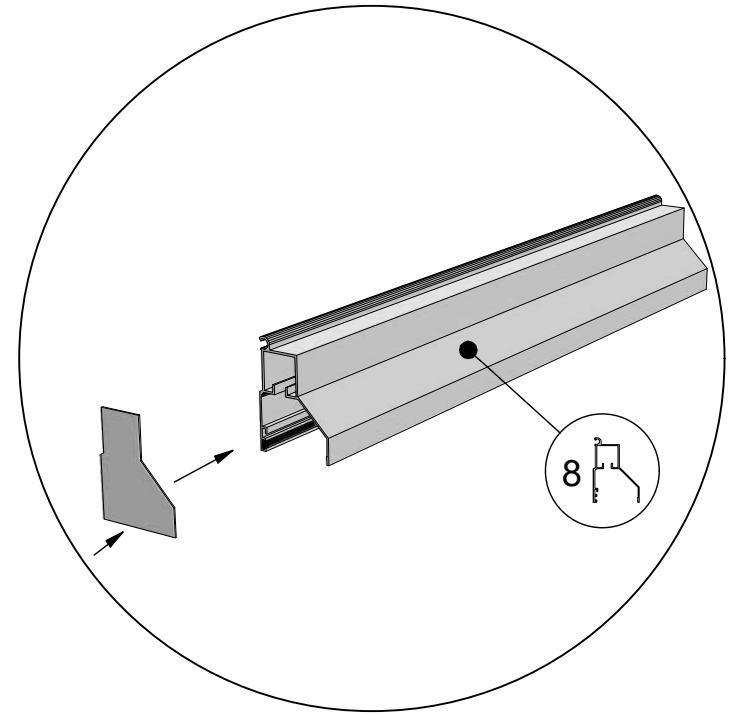
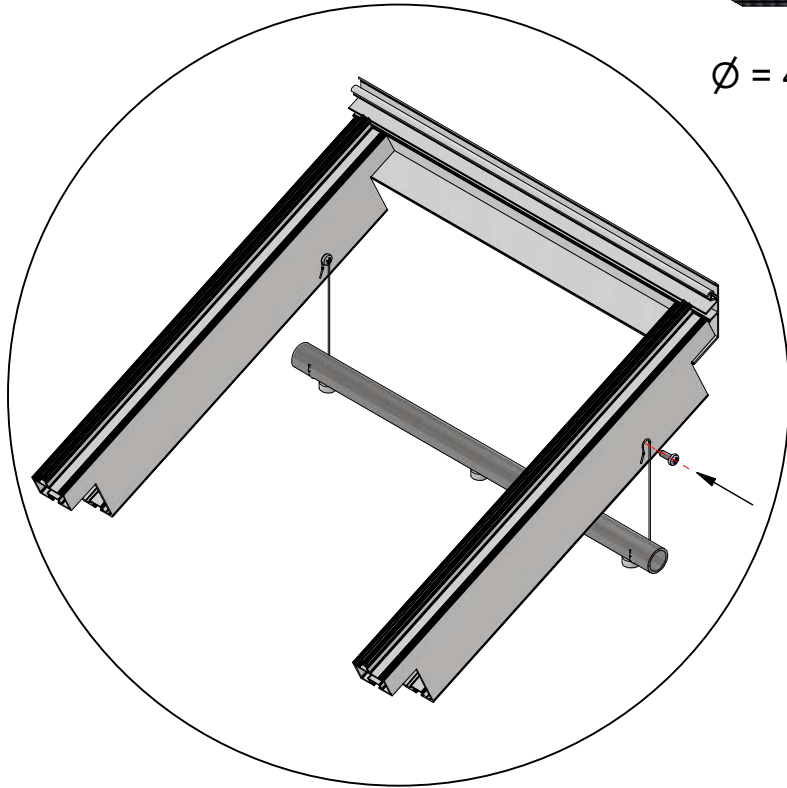


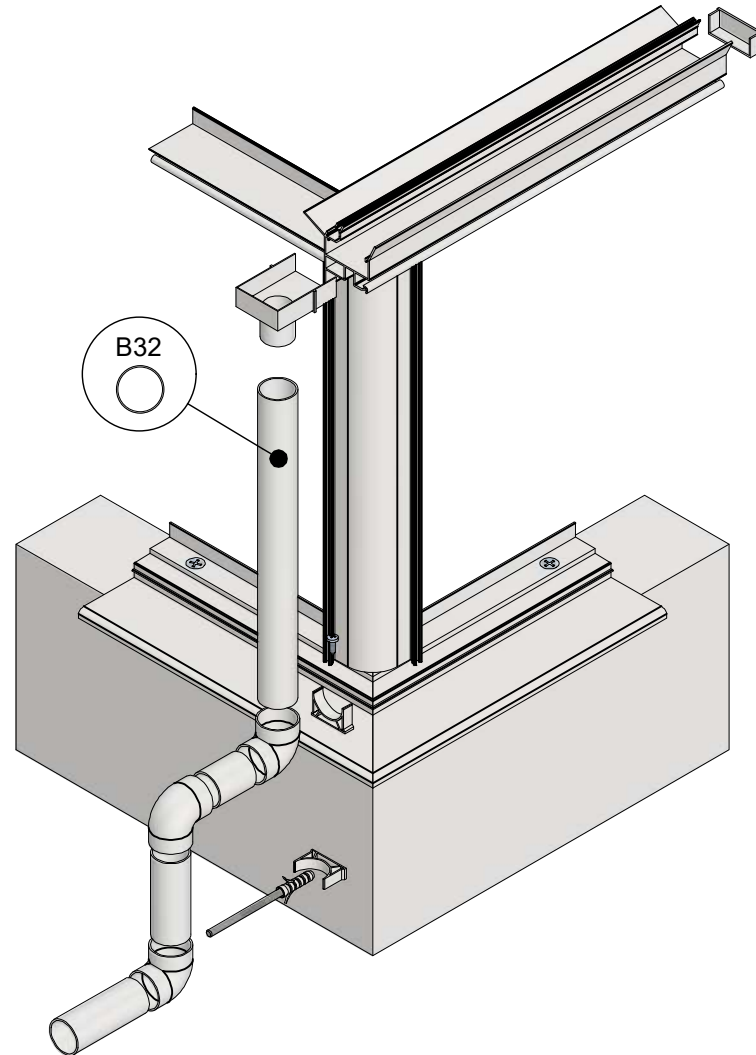
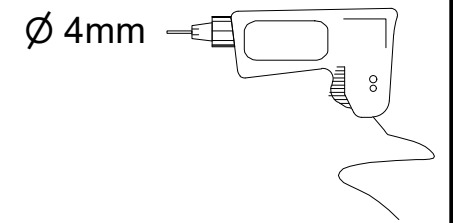
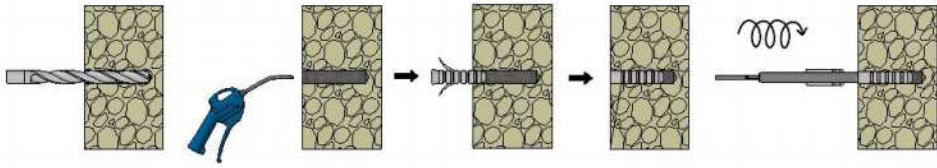




 = 4,8x16

$\varnothing = 4\text{mm}$ 





40



Geleenlaan 1 - 3600 Genk

ref: Muurserre special on wall-001 Rev. 05.10.2023

OCBS - 1148-CPR-20231003-989 C €

EN 1090-1 EXC 1

Euro-Muurserre special on wall

www.euroserre.com/cecertificaten