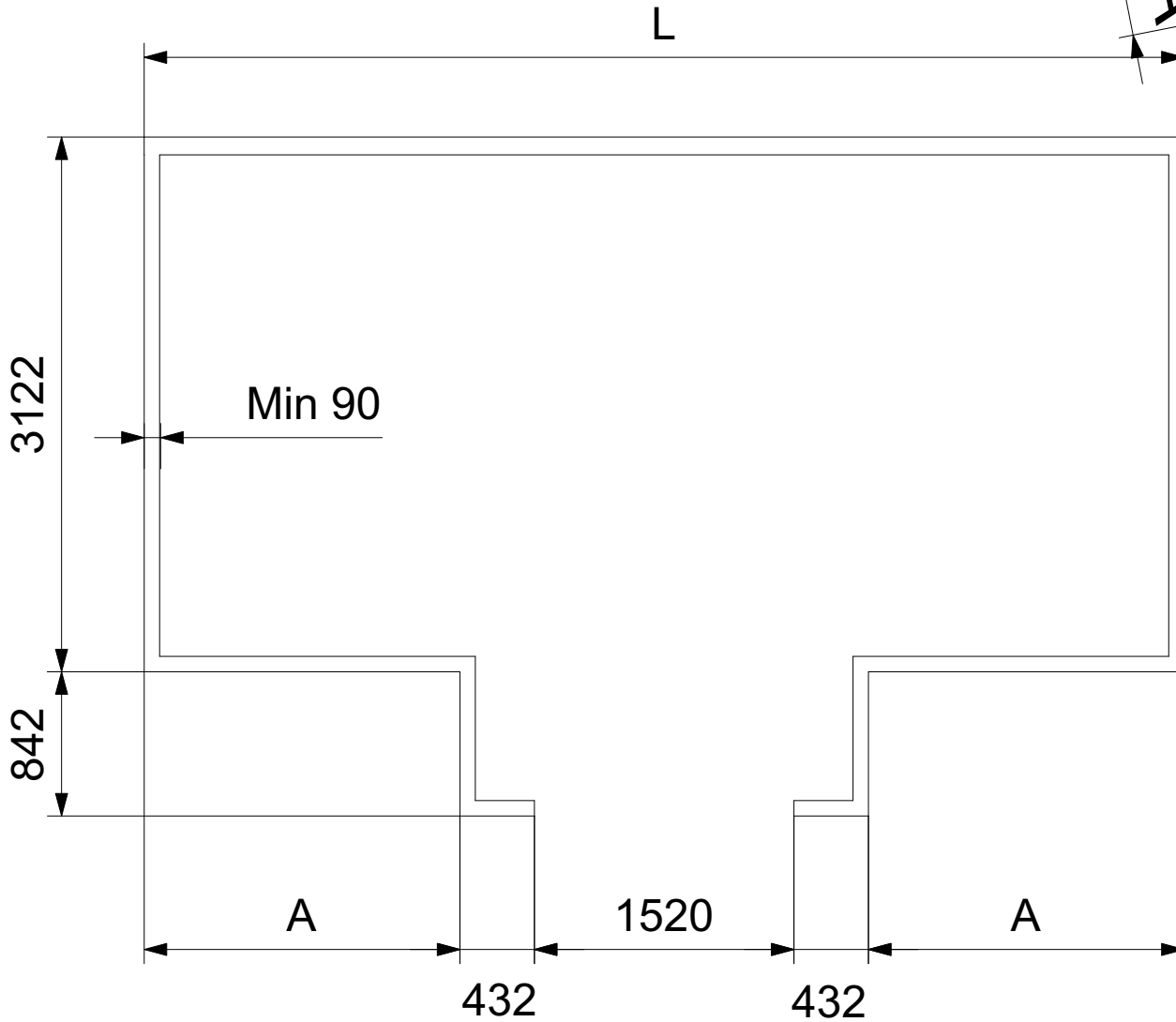
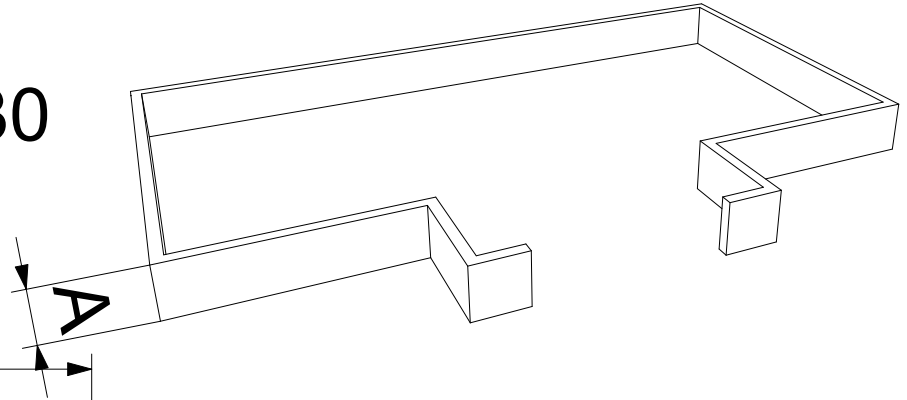


A = 430/630/830



236	L	A
	4596	1106
	6070	1843
	7544	2580
	11966	4791