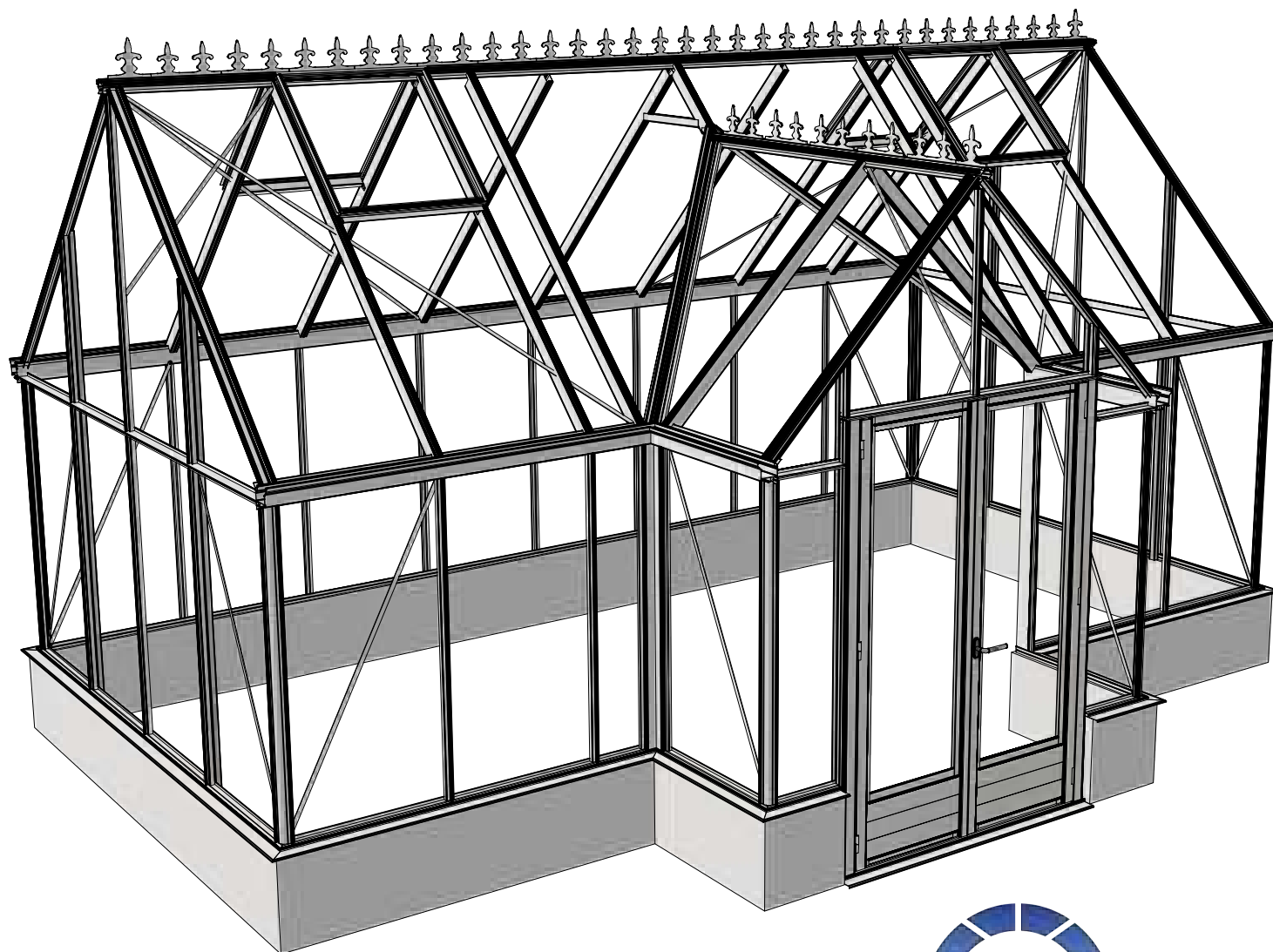
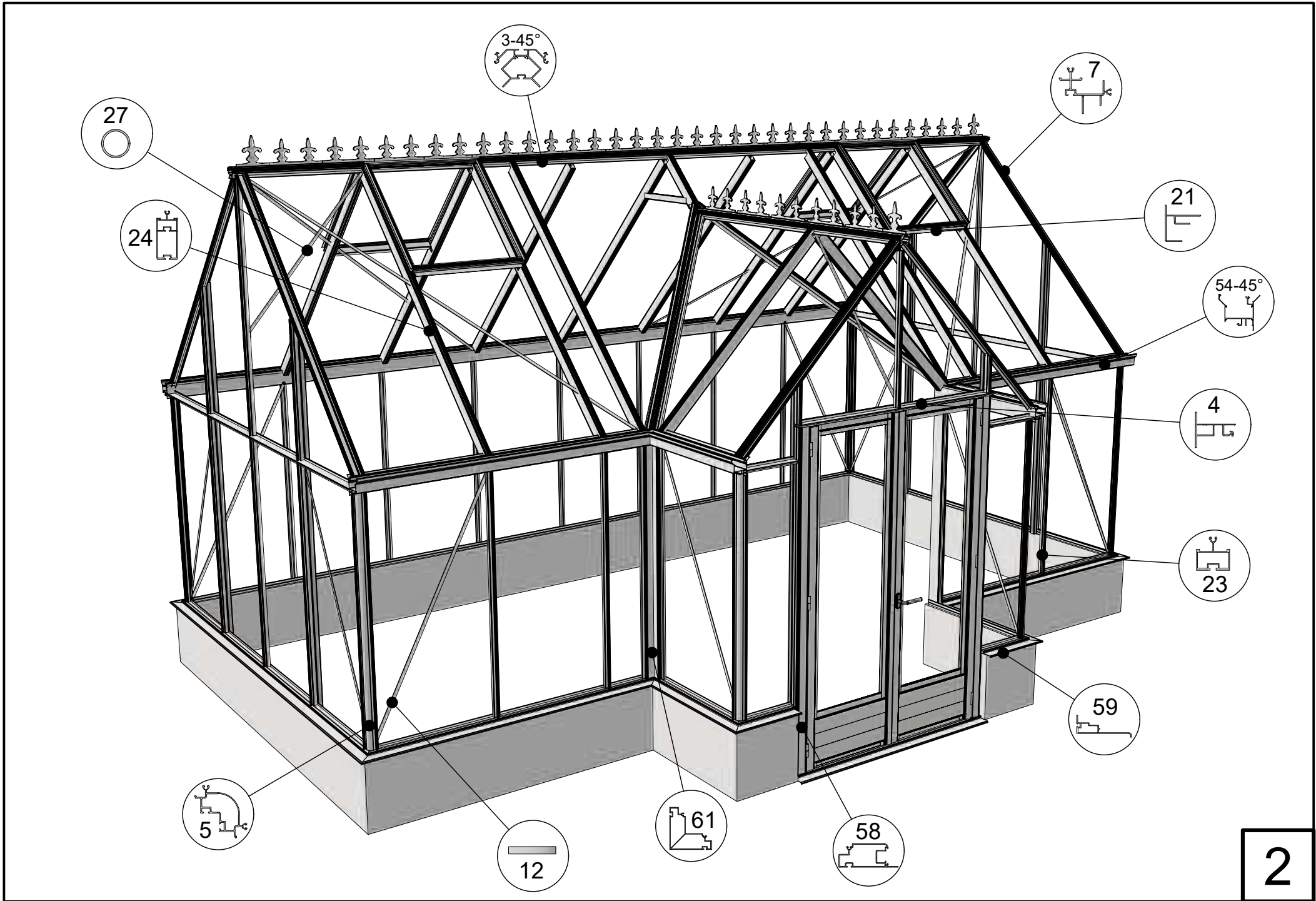


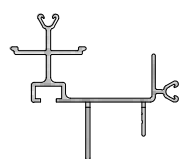
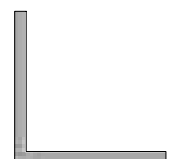
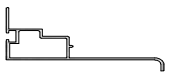
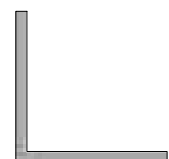
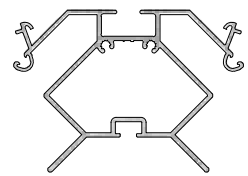
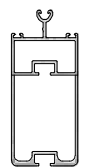

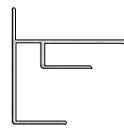
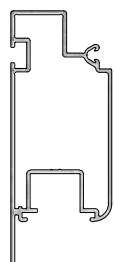

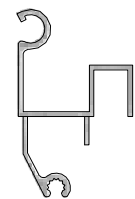
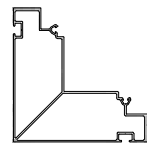
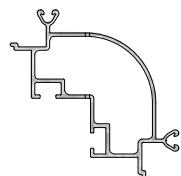
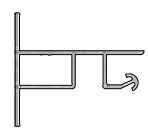
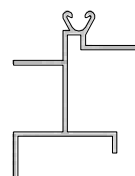

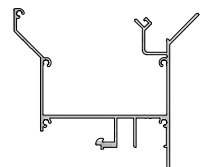
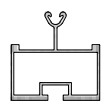
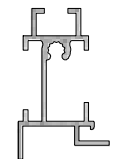
Victoria mit breite Kapelle on wall.



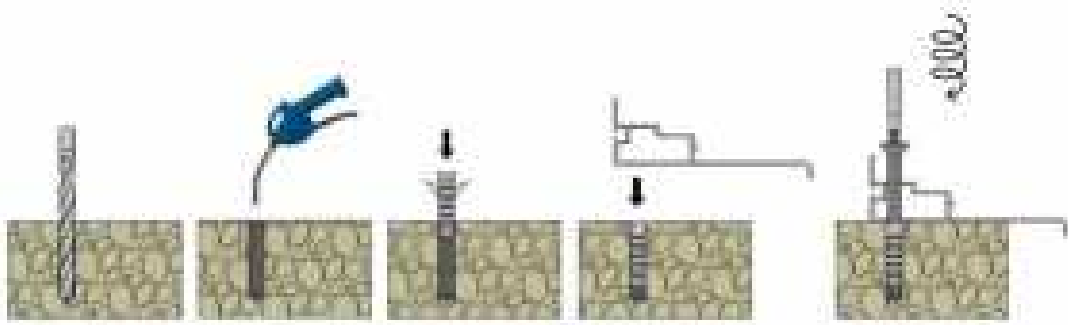
15-11-2023




Profile list

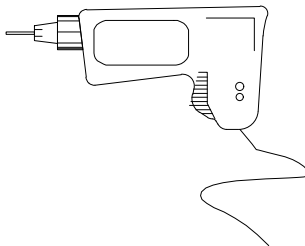
-	NR	Profile NR	-	NR	Profile NR	-	NR	Profile NR	-	NR	Profile NR
	7	7151		17	L40/40/2		1	17538		9	L15/15/2
	3-45°	15732		24	10968		12	7070		21	29577
	58	12960		27	B 18		18	17542		61	13994
	5	17548		4	17549		19	17543			K30/40
	54-45°	17540		23	17703		20T	28513			

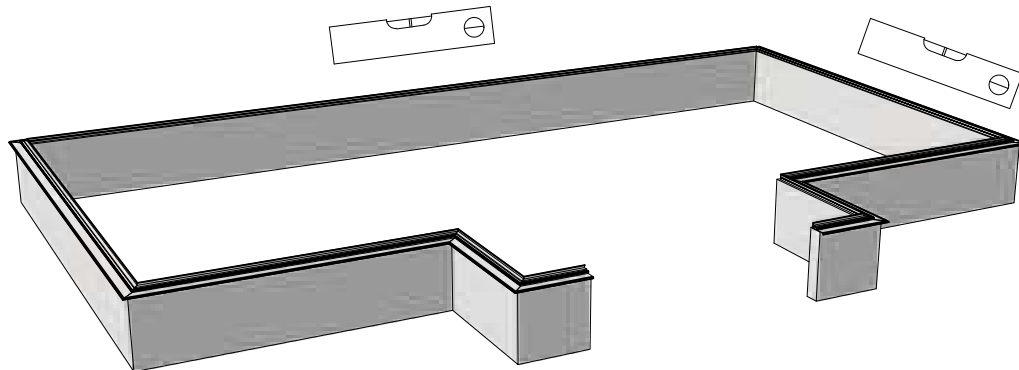
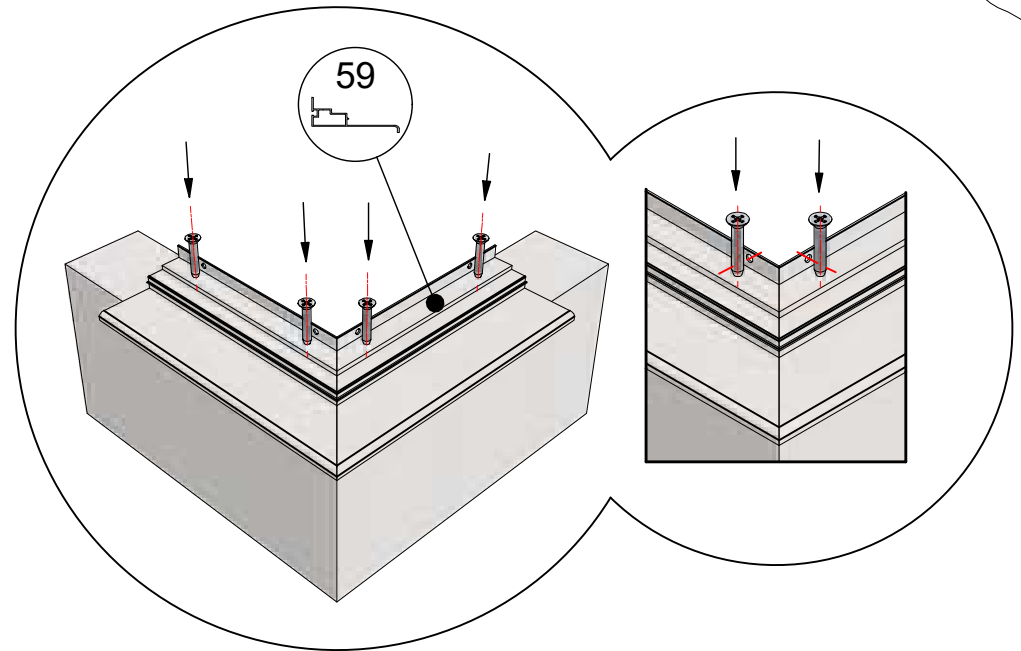
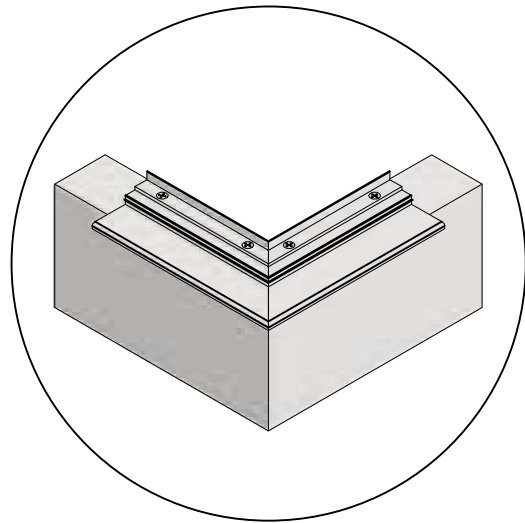
- Attention! Check inside the foundation for more profiles.
- Please fasten screws and nuts hand-tight.
- Achtung! Prüfen sie das fundament für weitere profile.
- Schraube und Mutter bitte handfest festziehen.
- Opgelet! kijk in de fundering voor andere profielen.
- Bout en moer a.u.b. handvast aandraaien.
- Attention! Regarde à l'intérieur du fondation pour plussier profils.
- Serrez les écrous et vis à la main s.v.p.
- Observera at en del profiler ligger i sockelprofilen!!
- Dra åt skruven och muttern handfast.

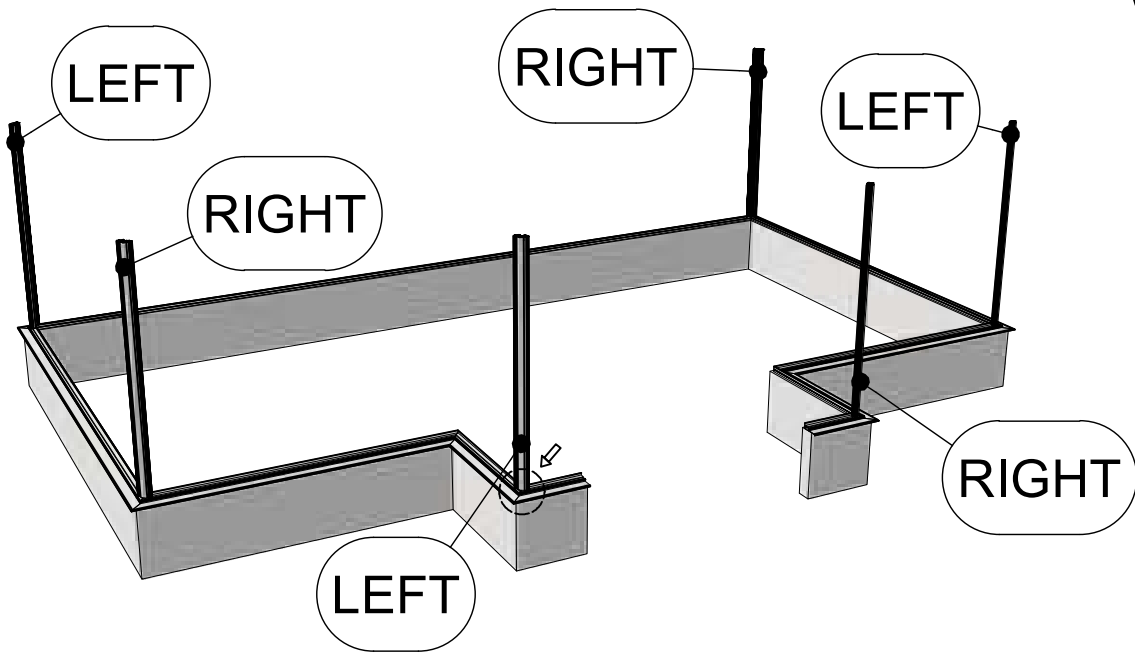
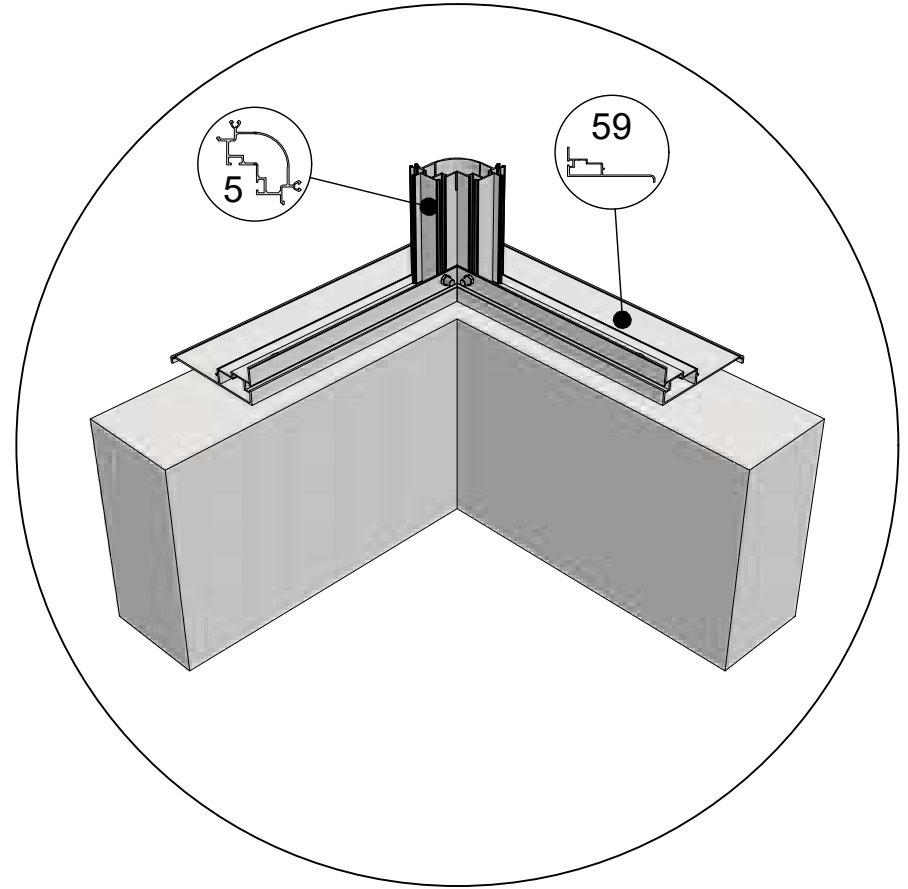
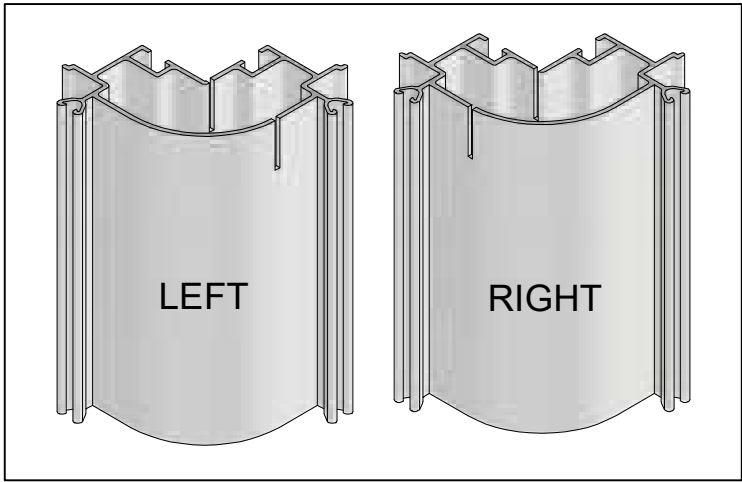



 = 8x40

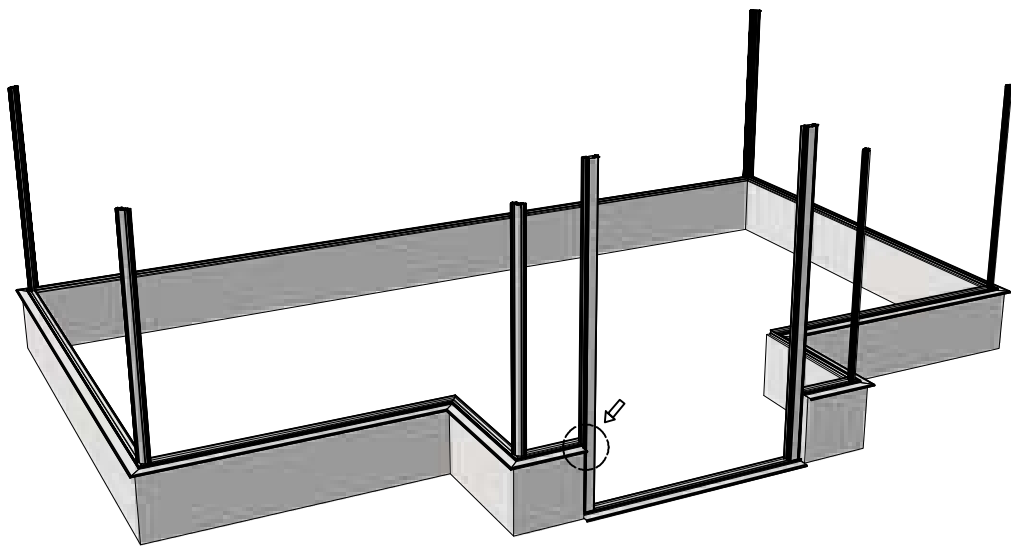
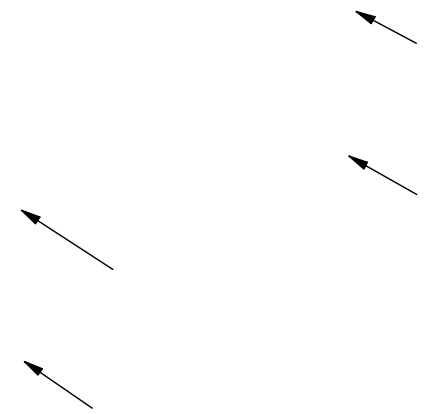
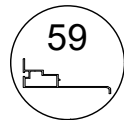
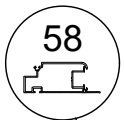
  = 6x120


Ø = 8mm 

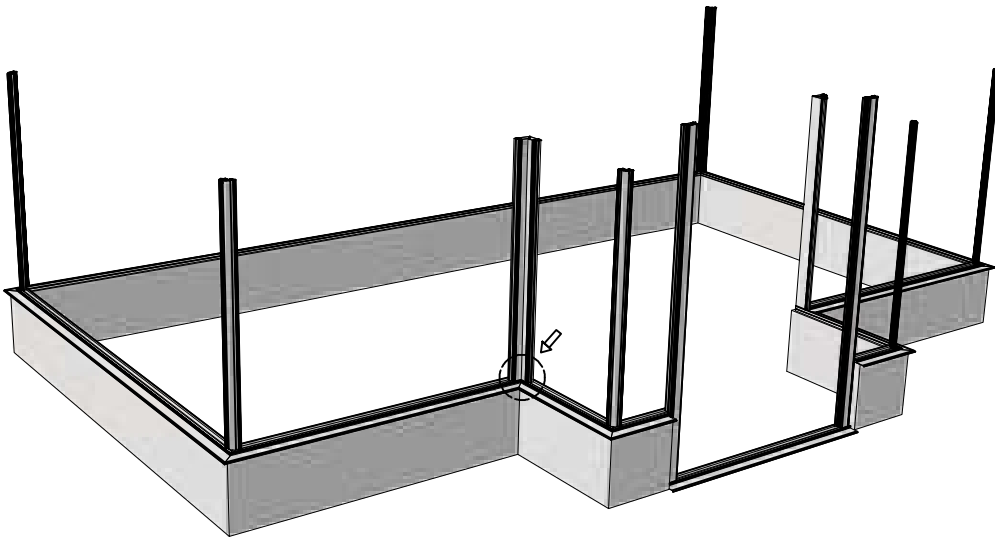
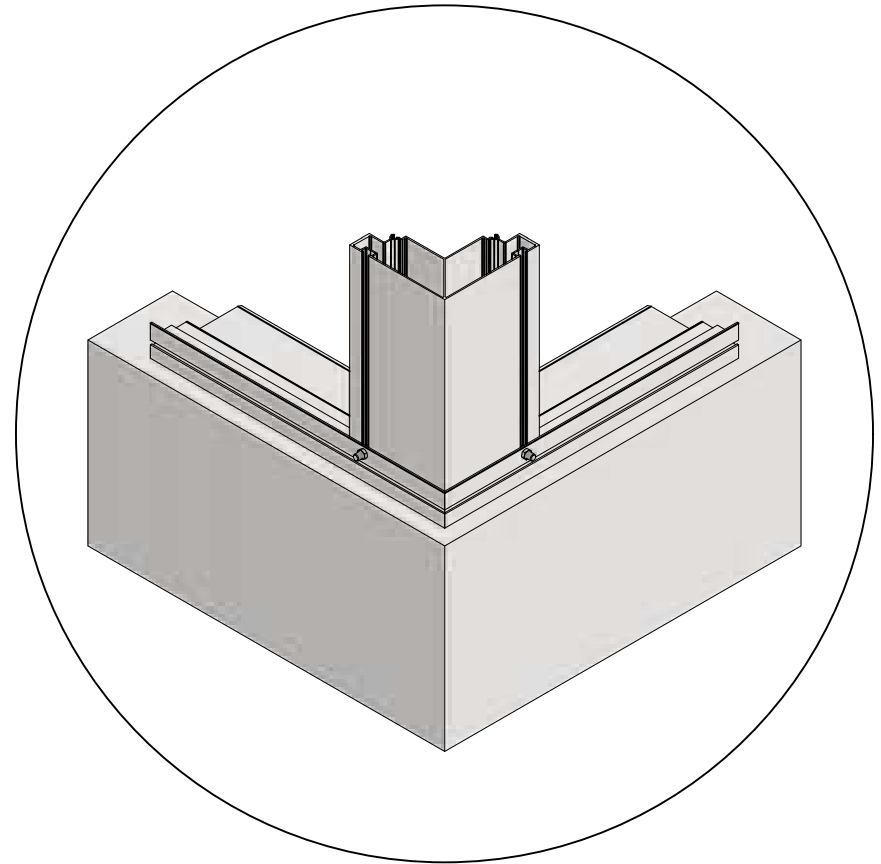
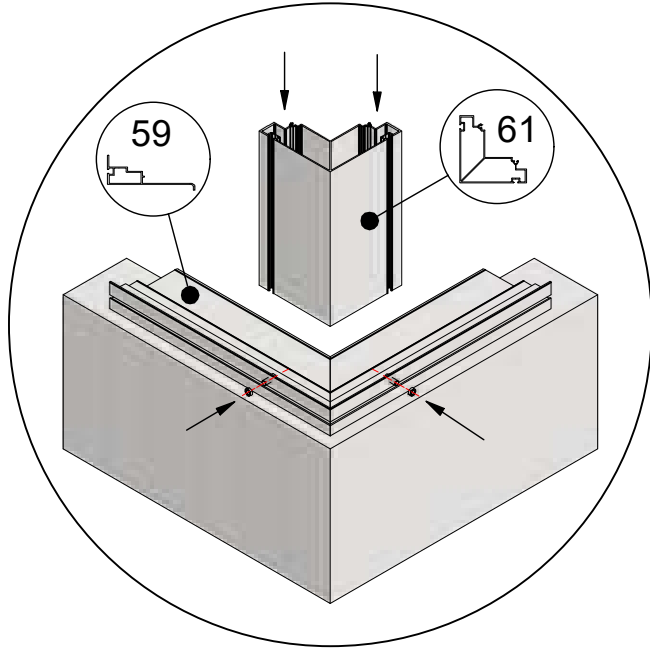





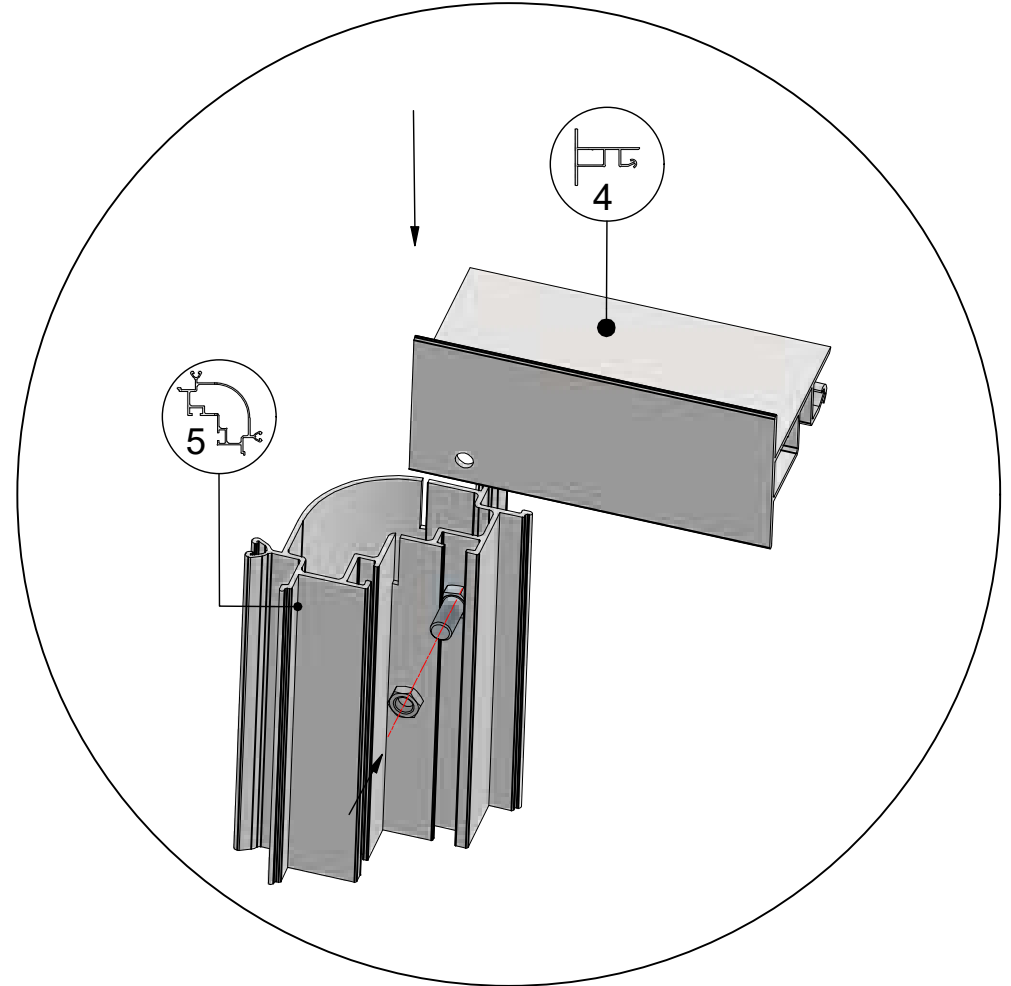
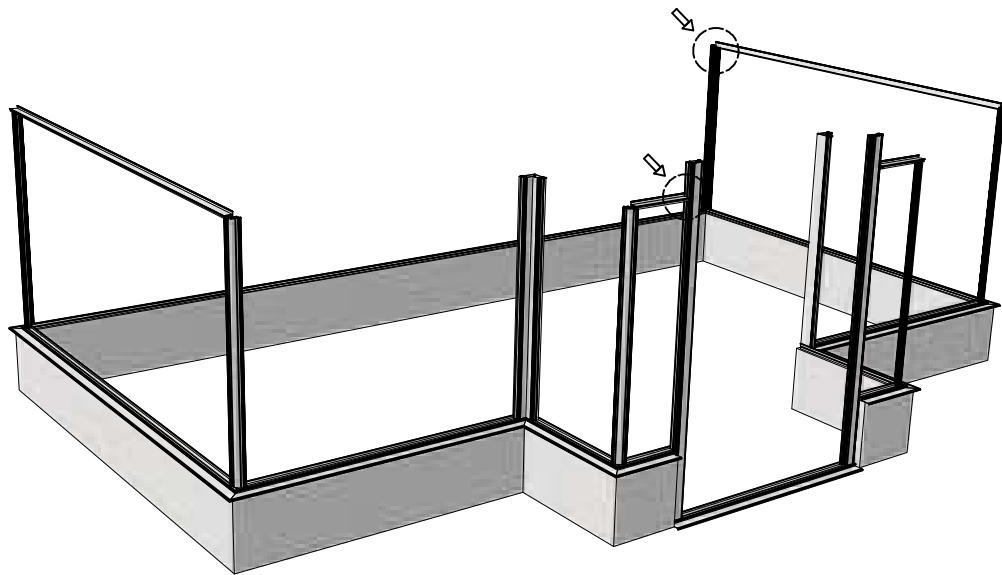
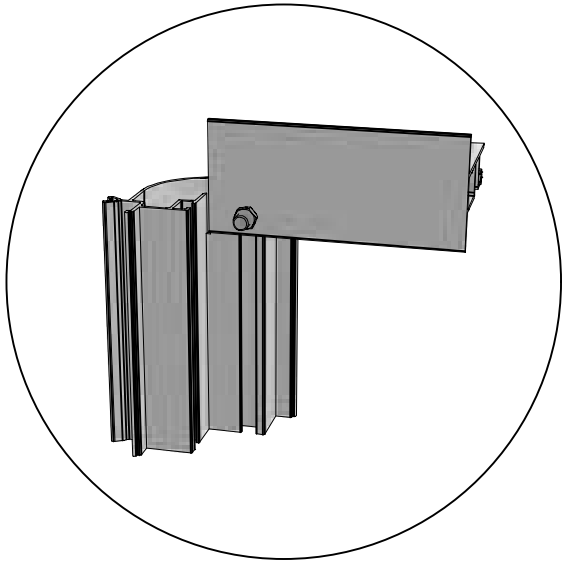
 = M6x12




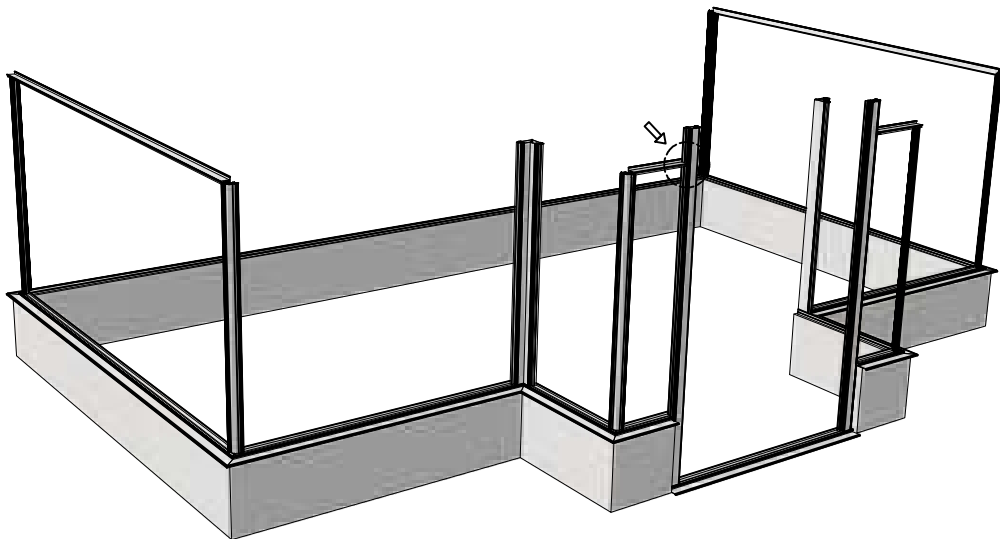
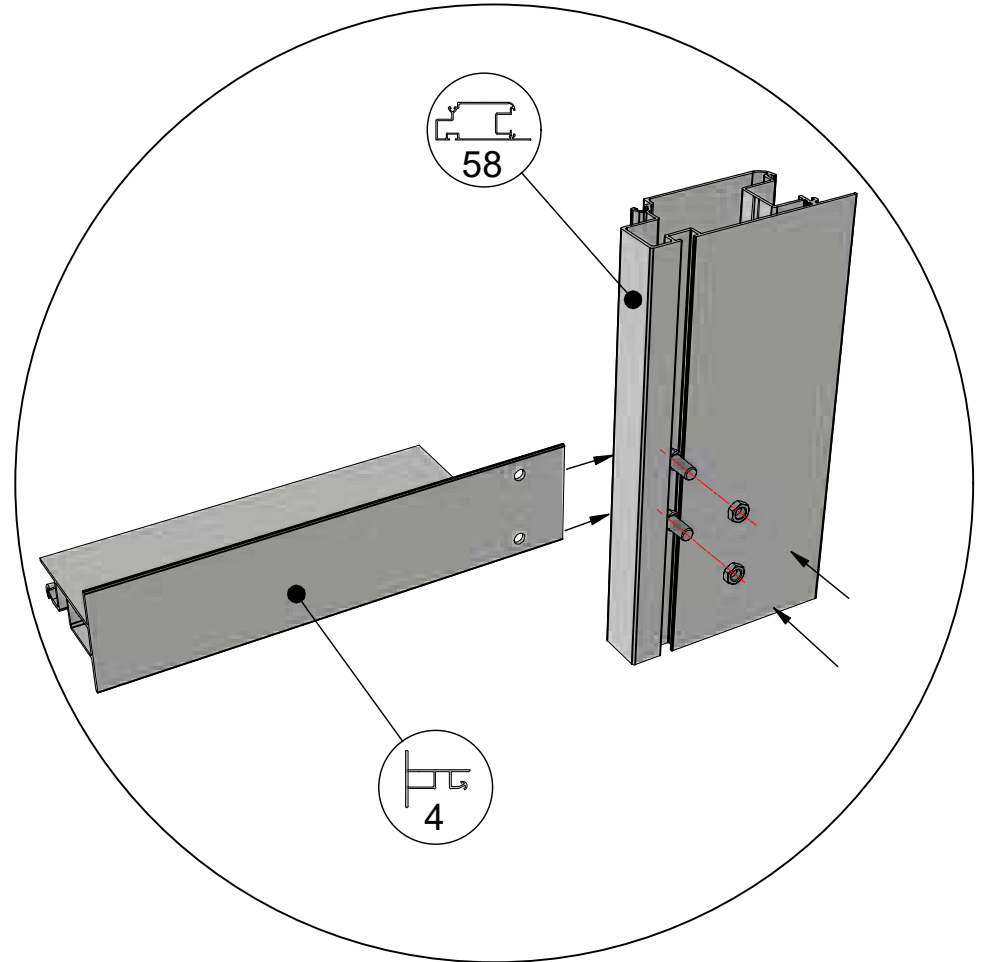
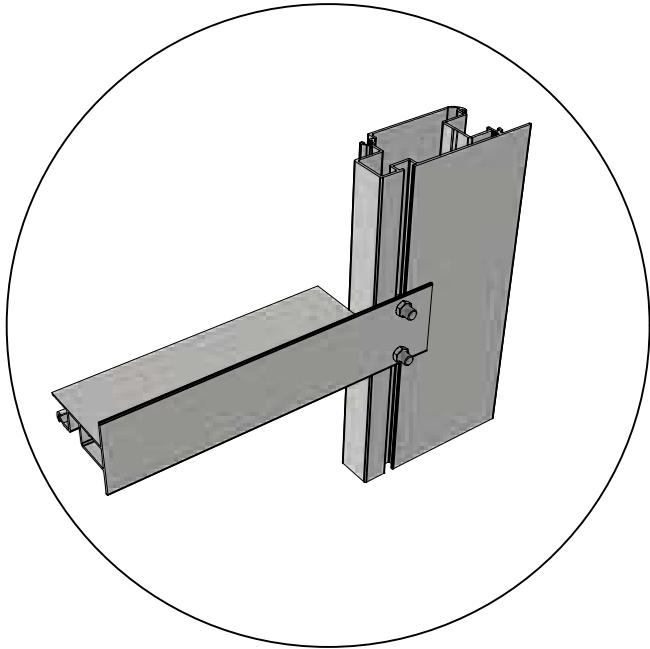
 = M6x12



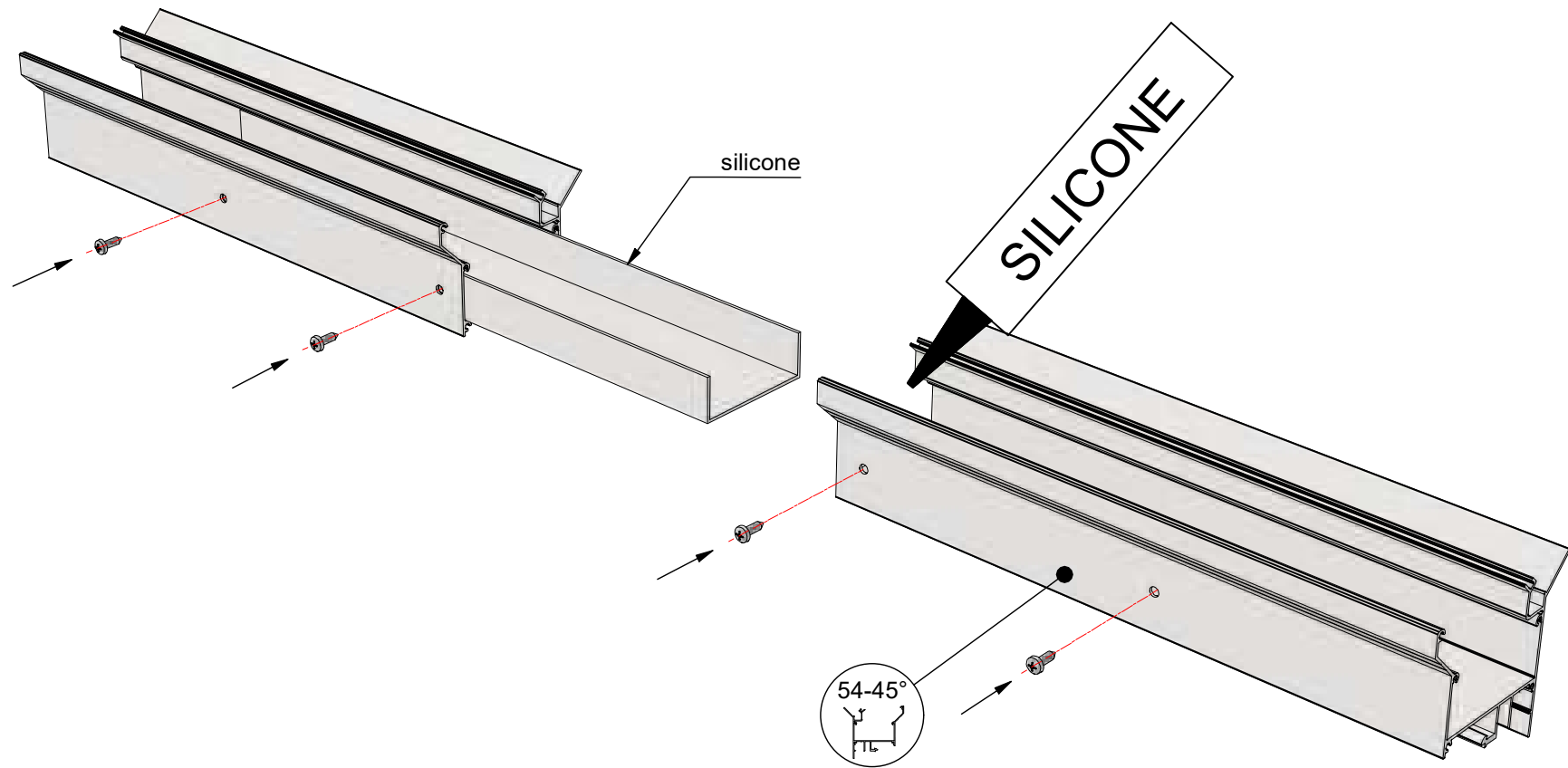
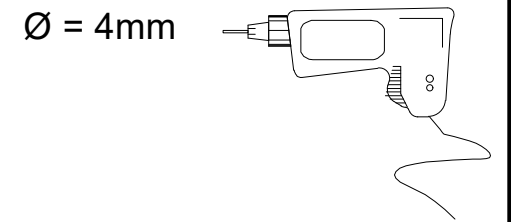
 = M6x12

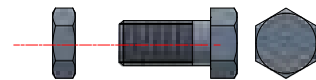


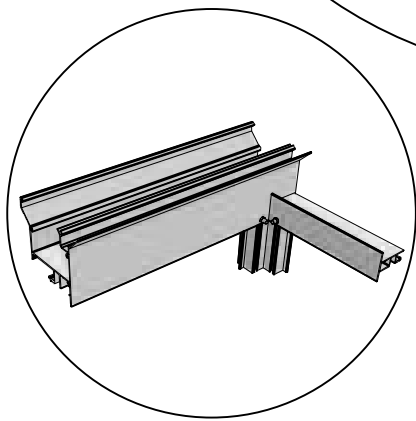
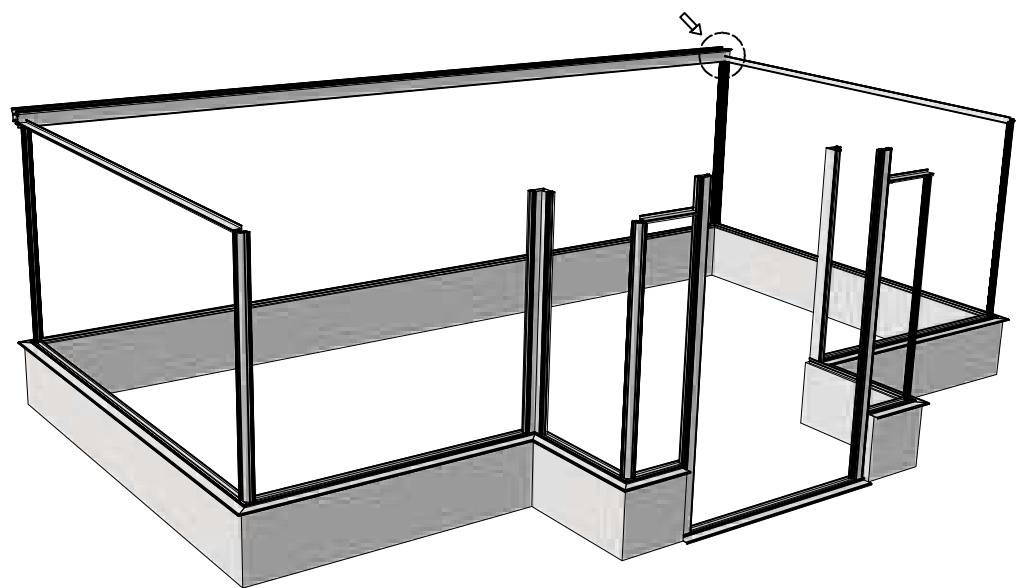
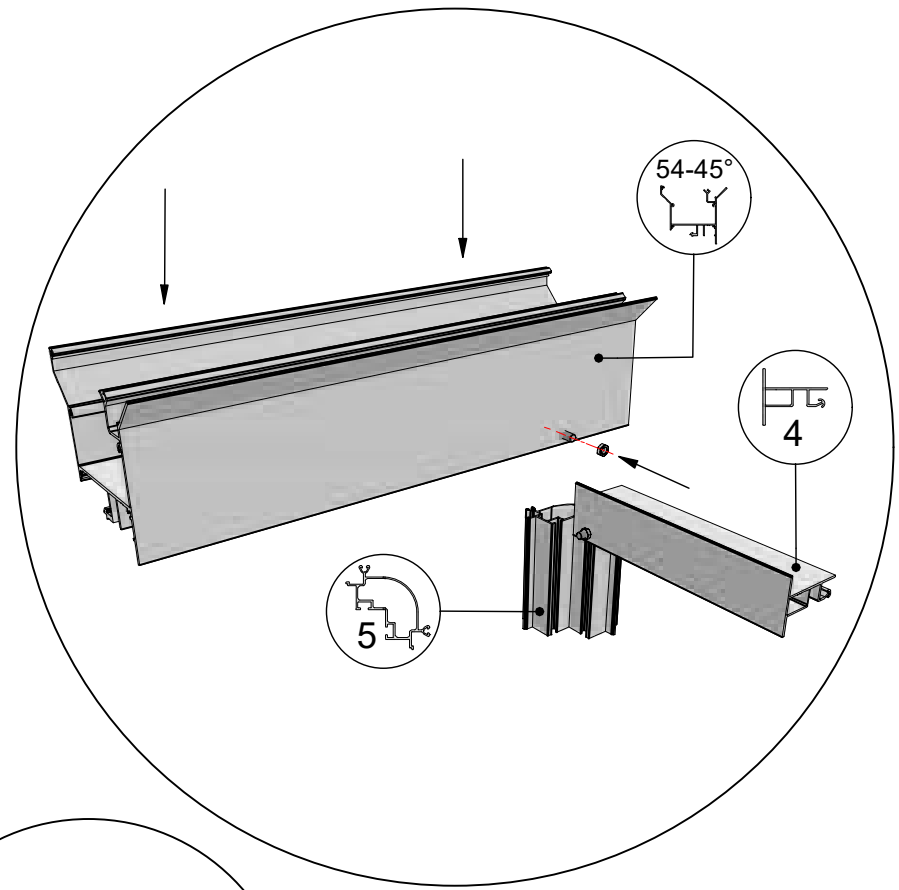
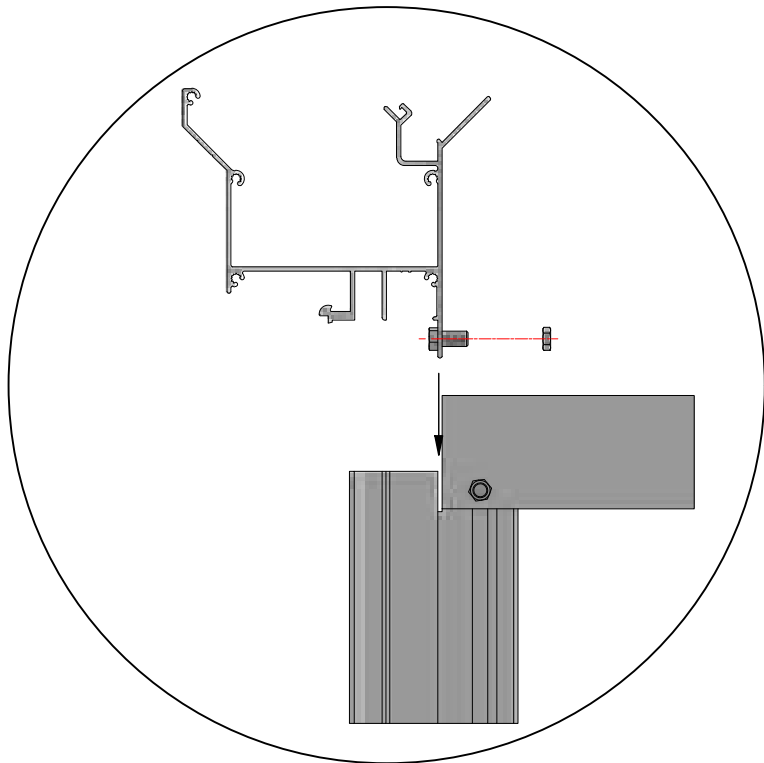
 = M6x12

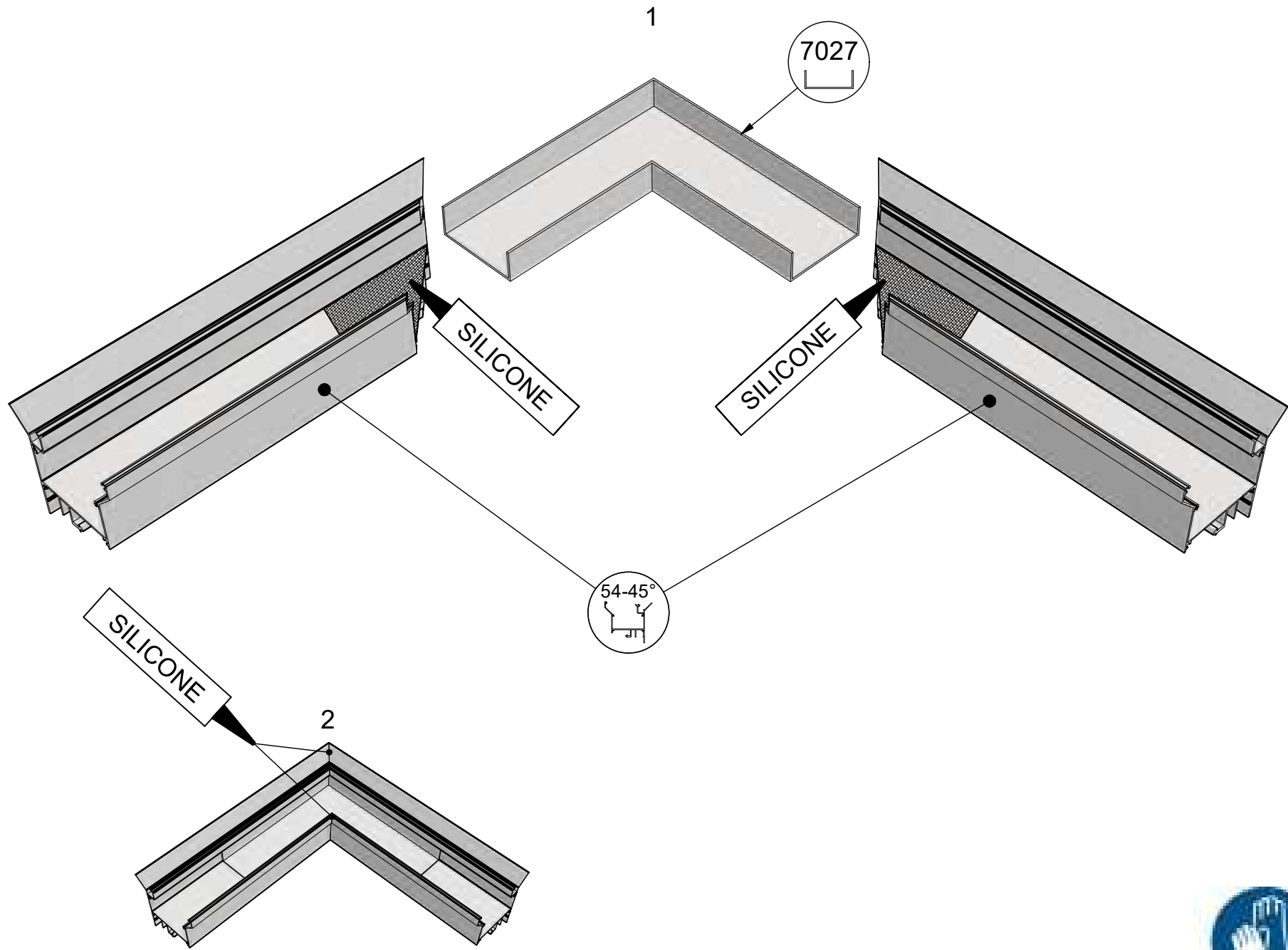


Victorian > 7,53 + 9,04

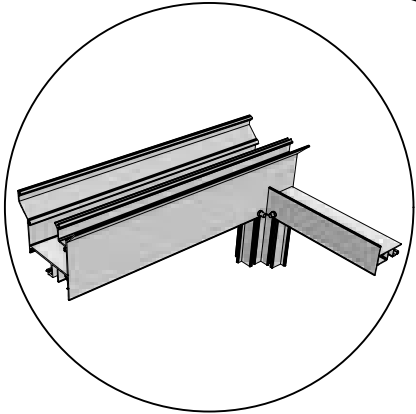
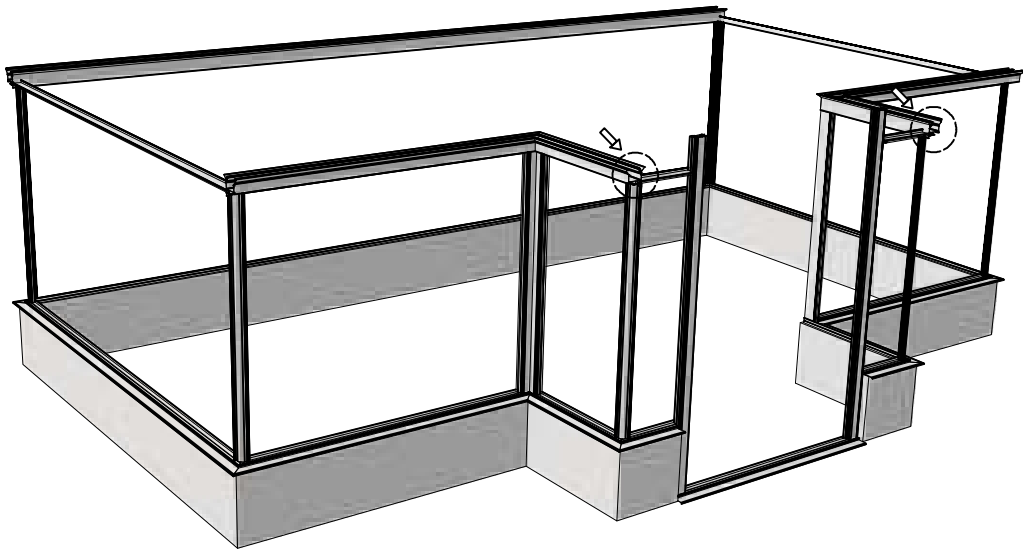
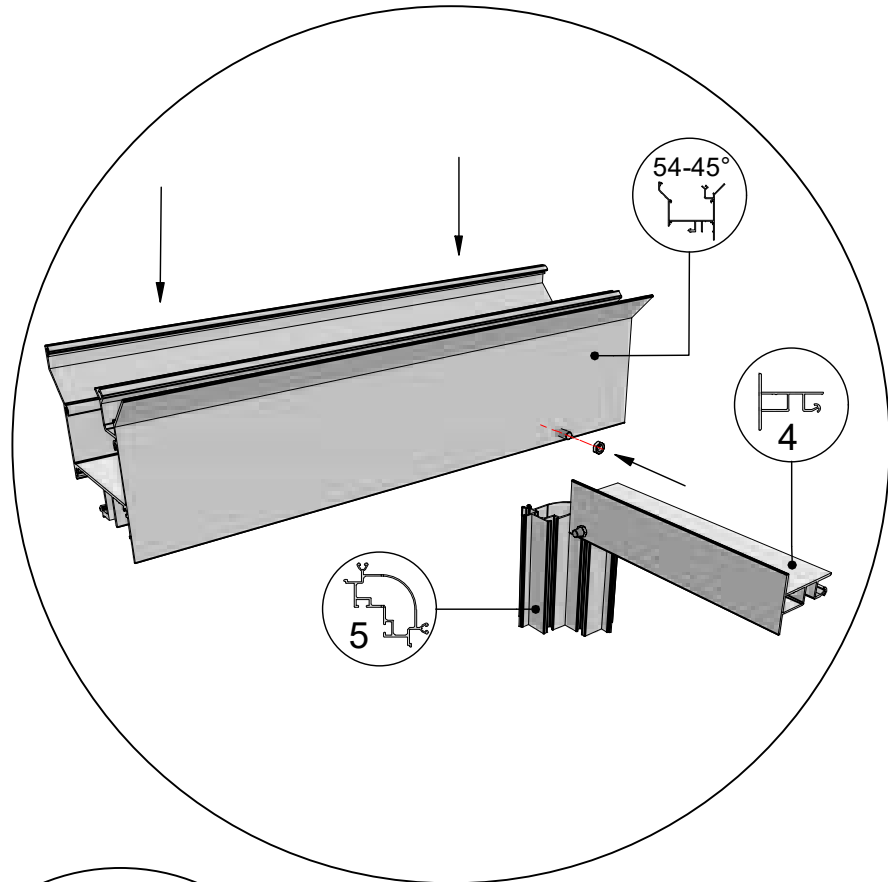
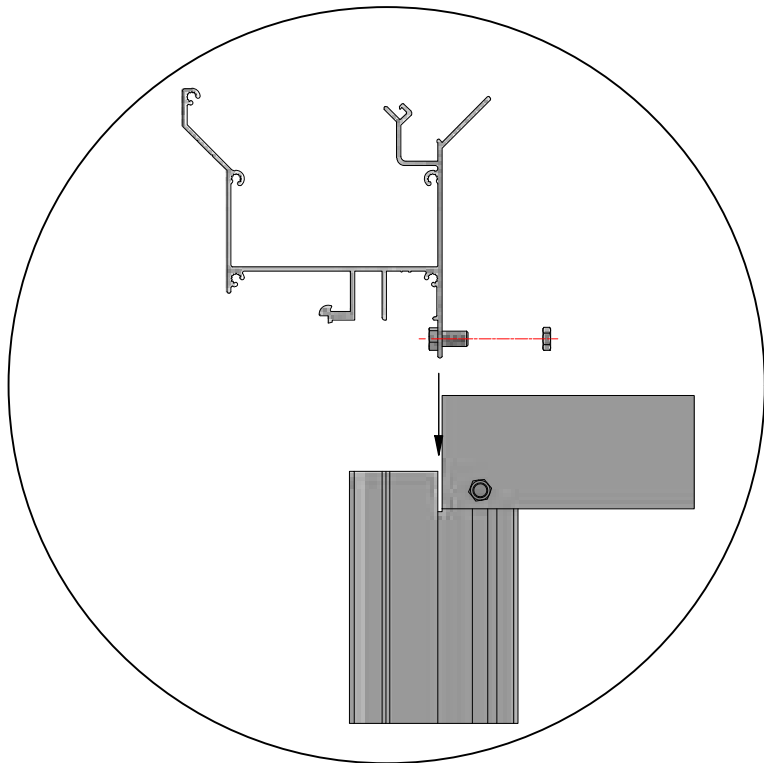


 = M6x12

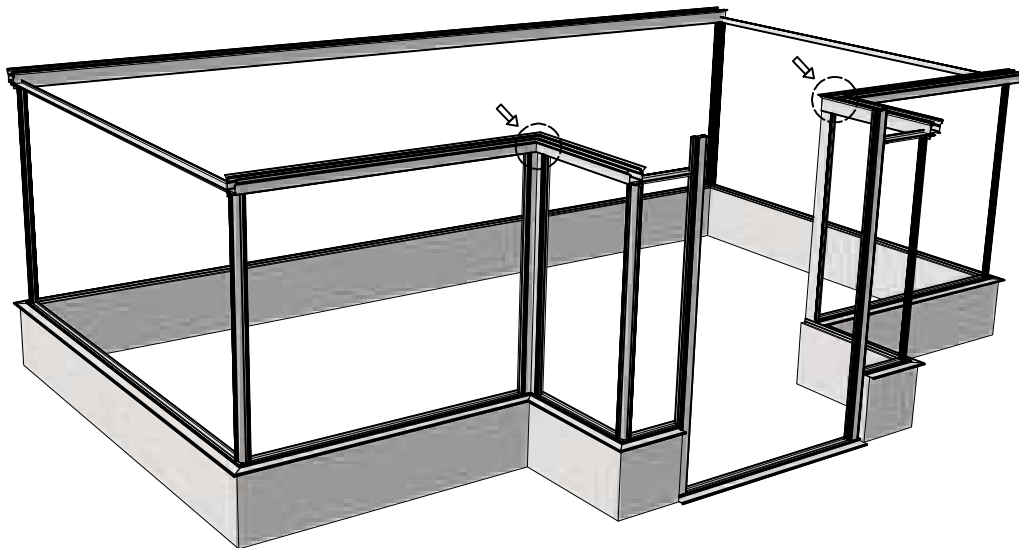
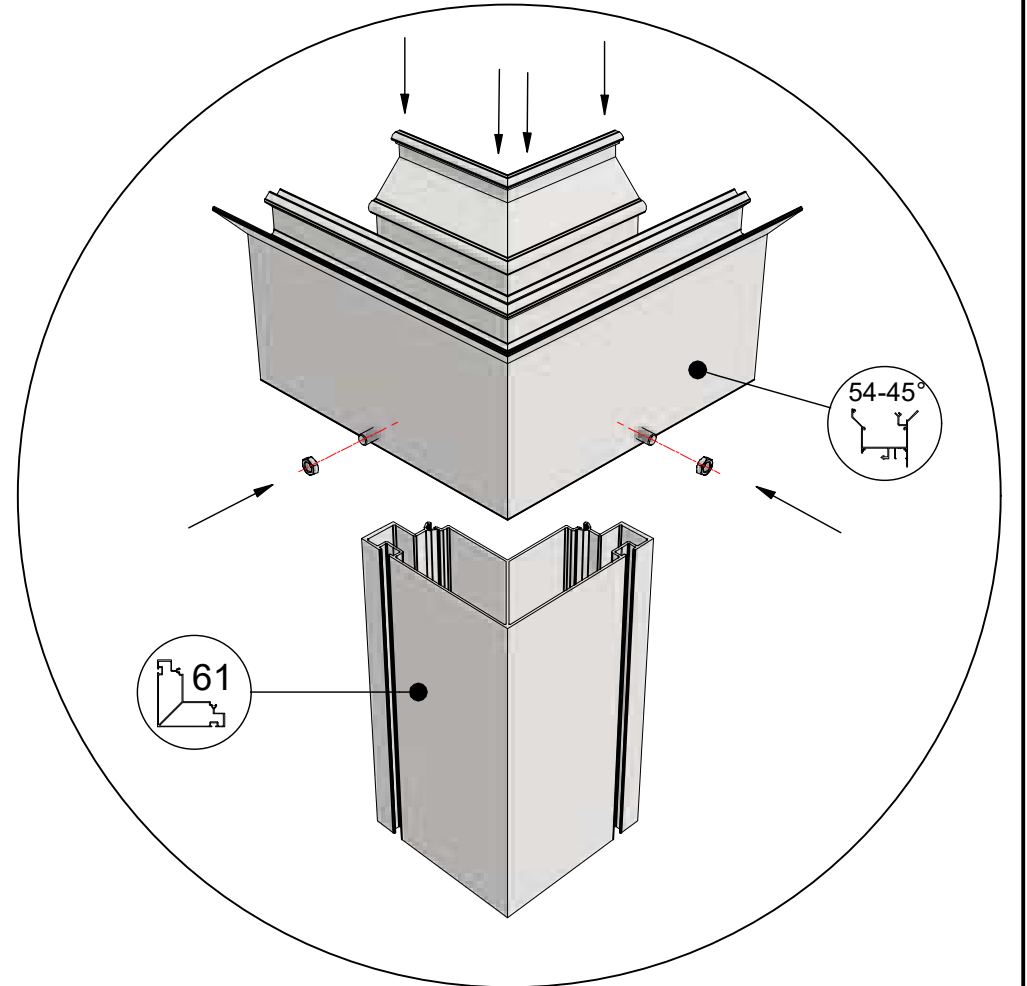
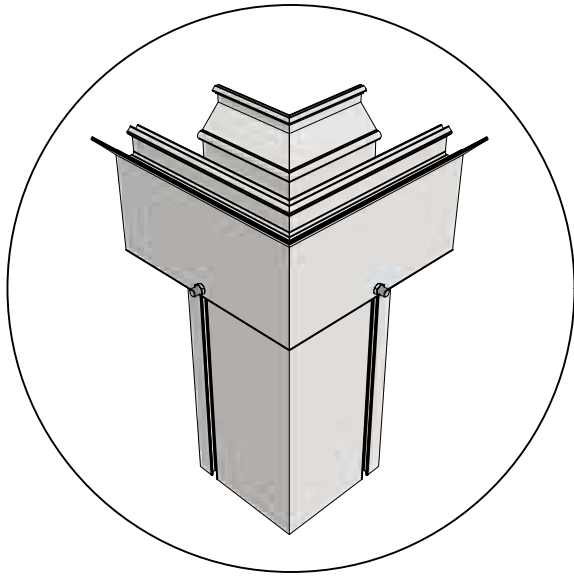




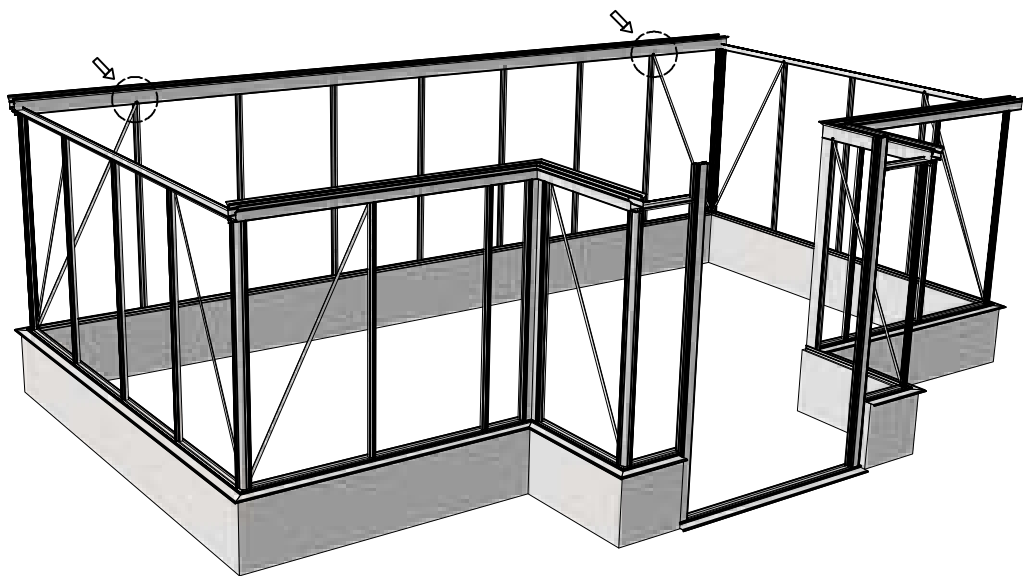
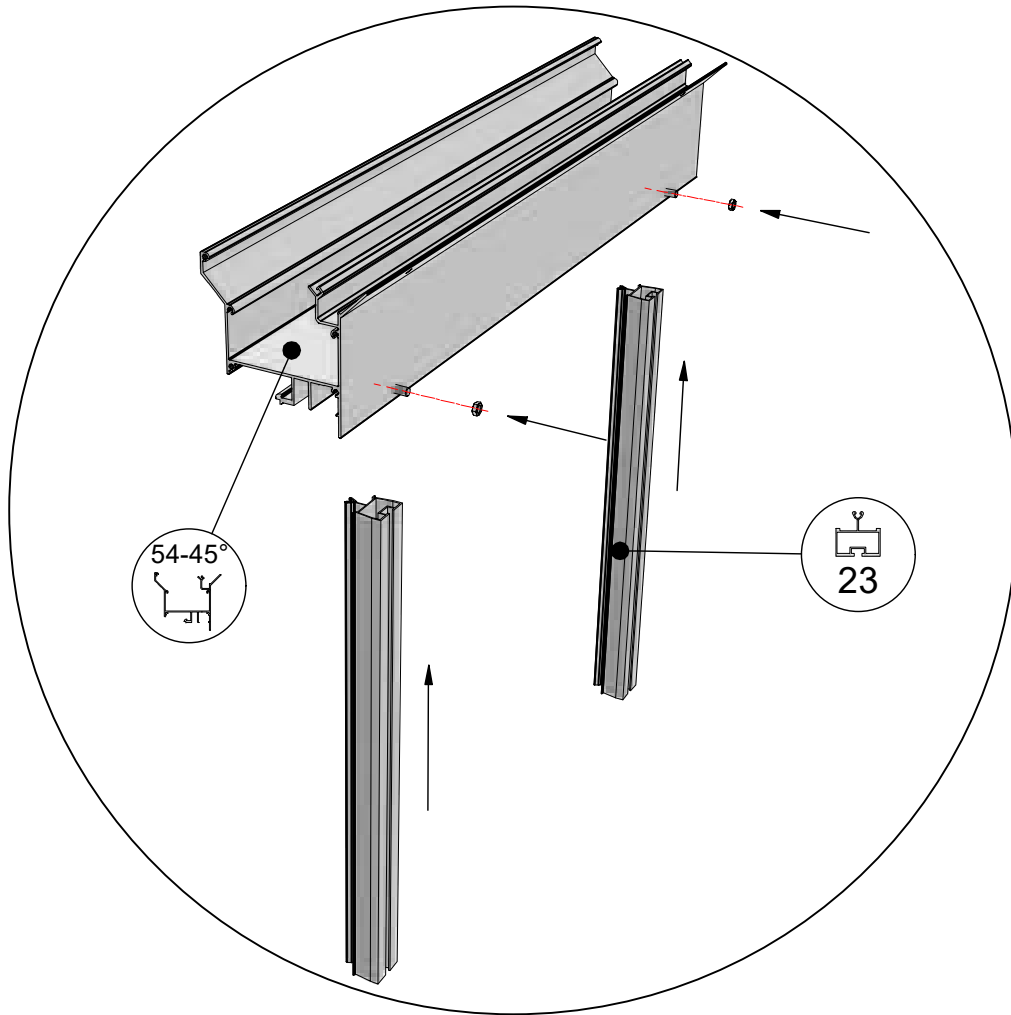
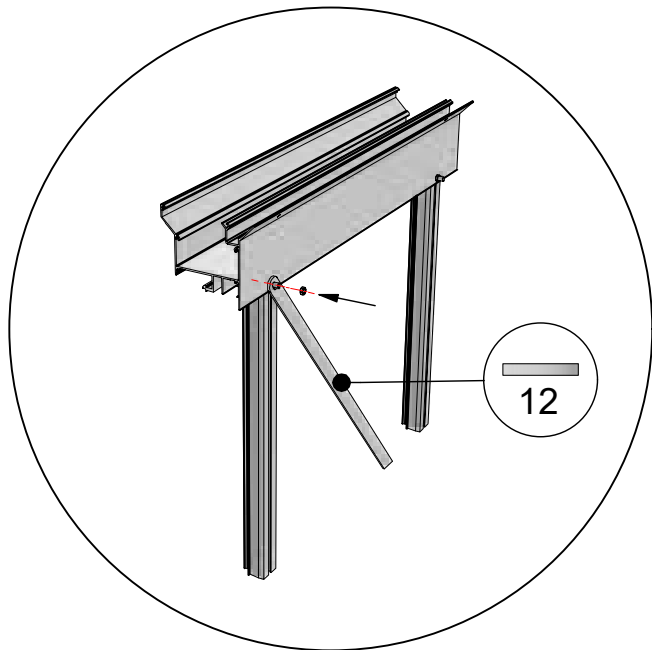
 = M6x12

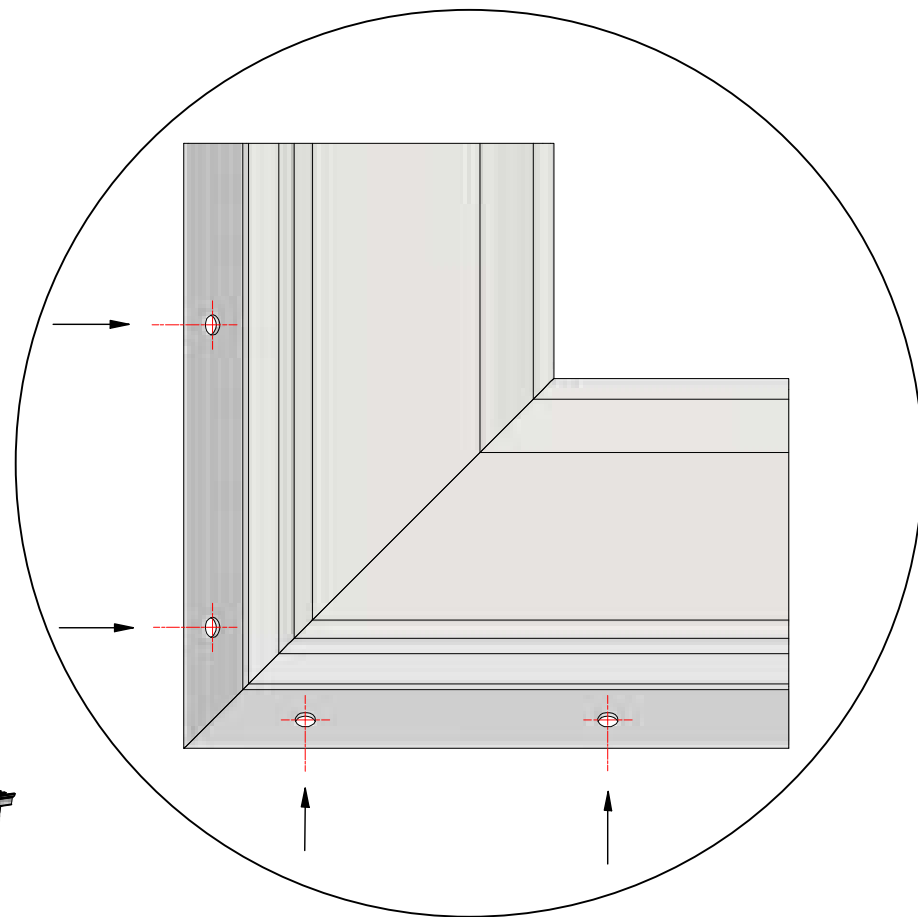
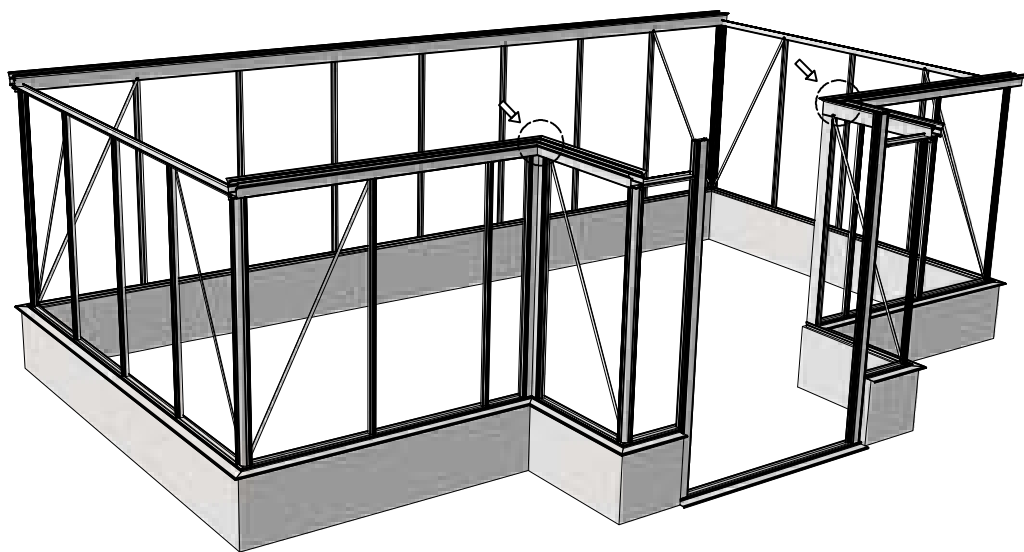



 = M6x12

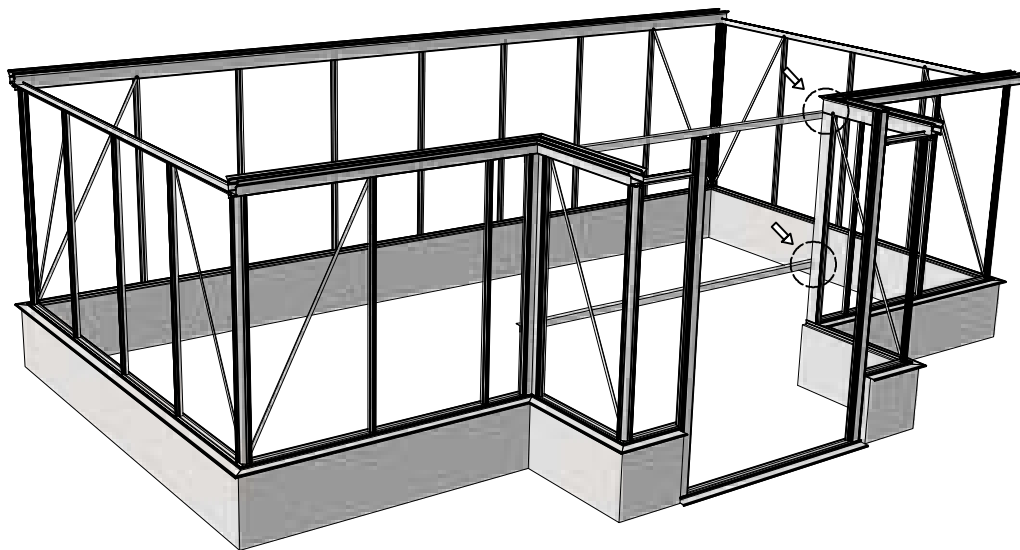
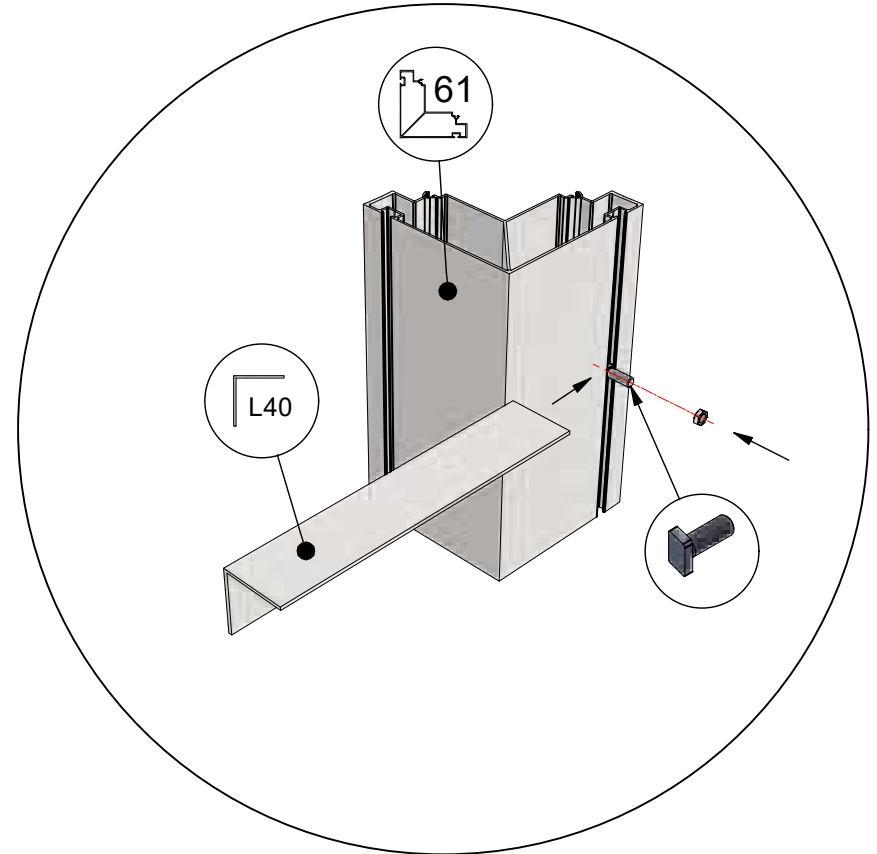
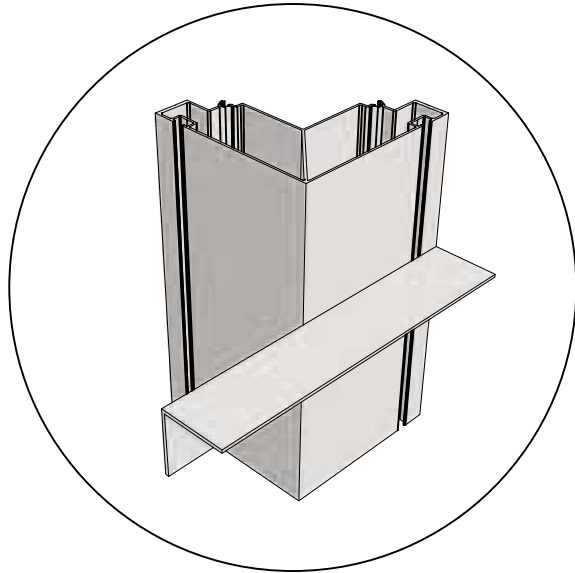



 = M6x12

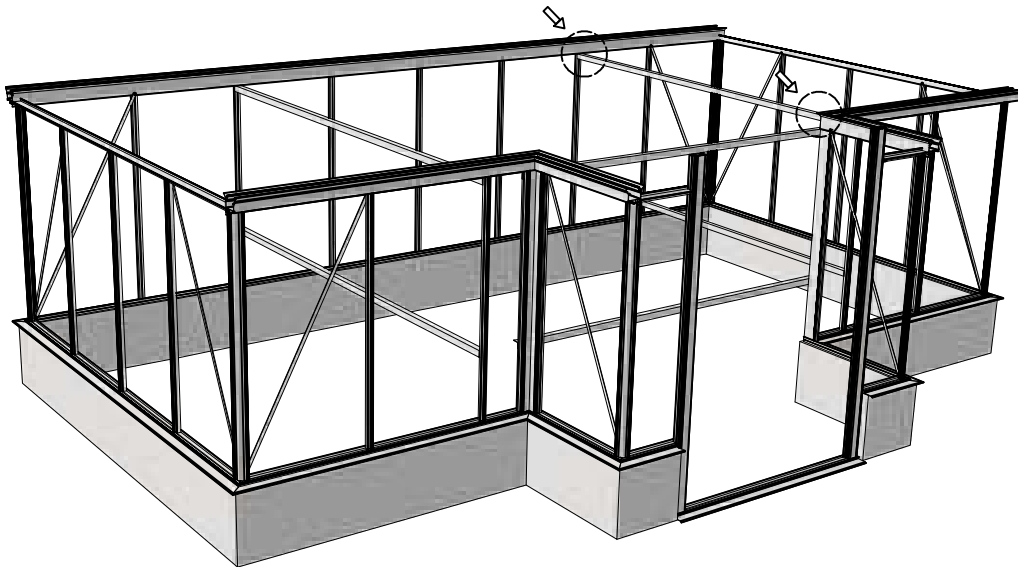
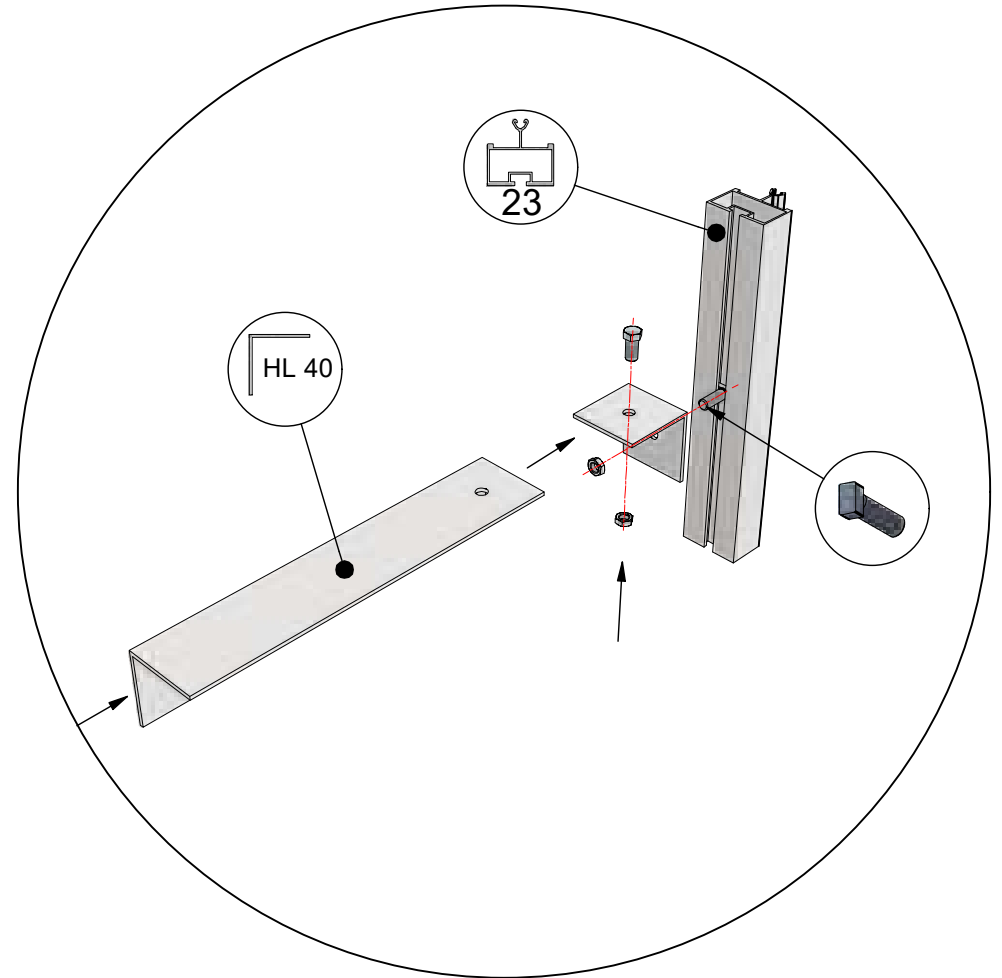
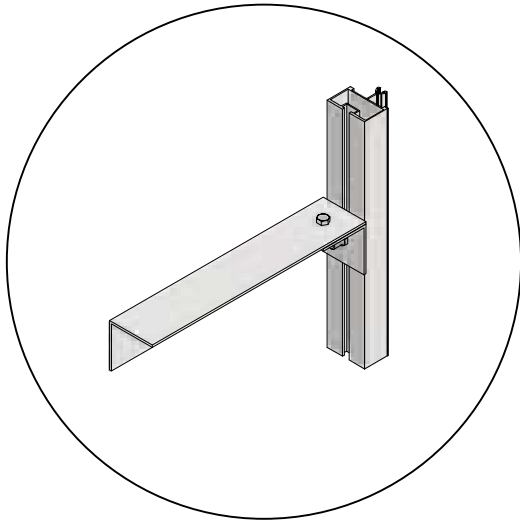




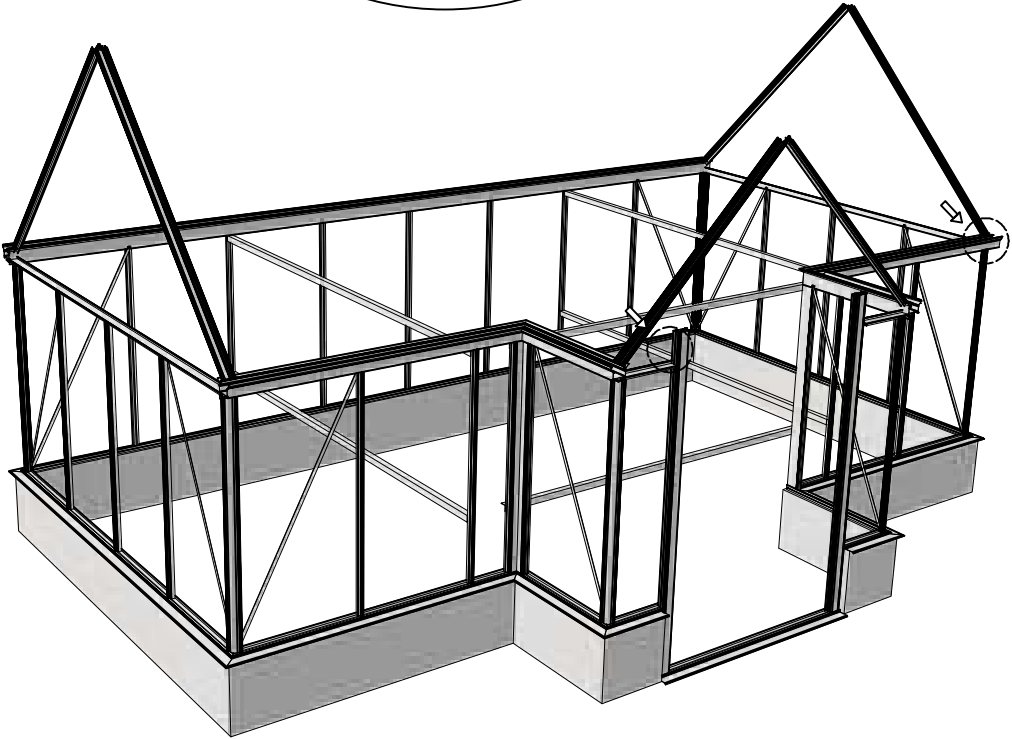
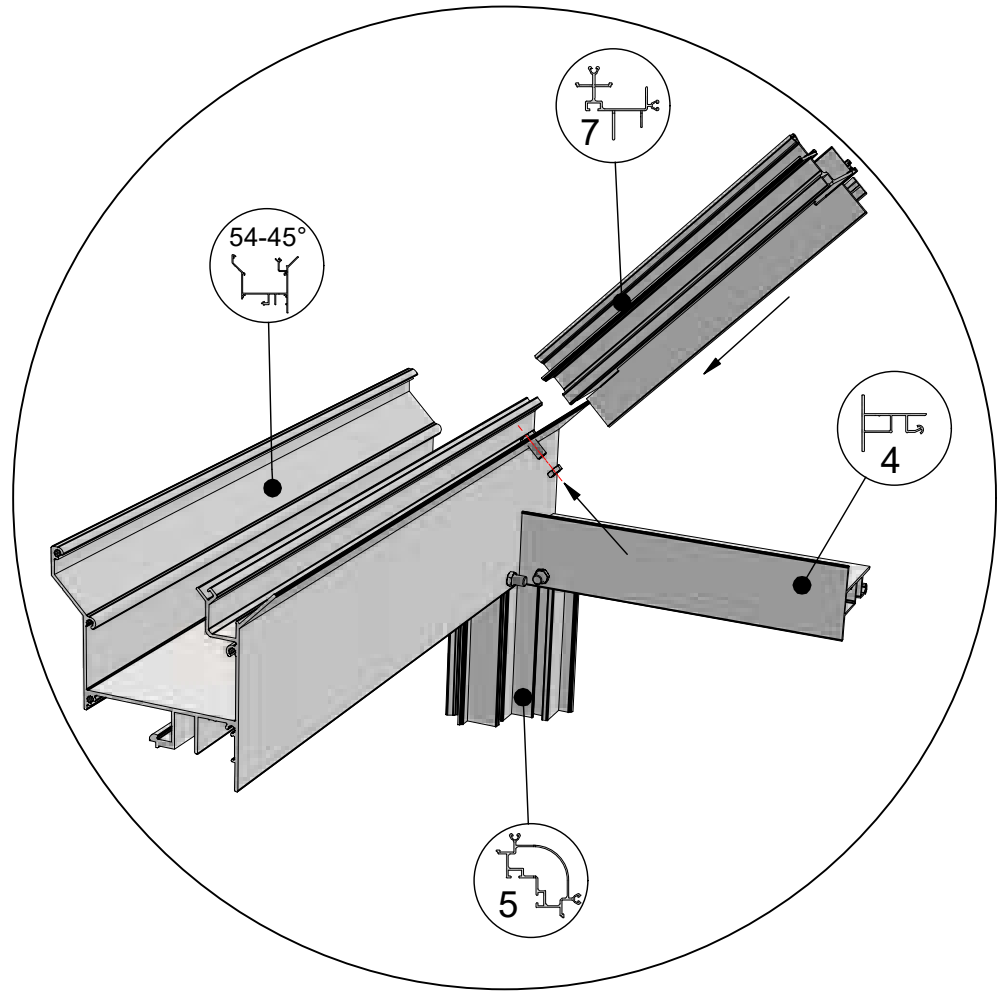
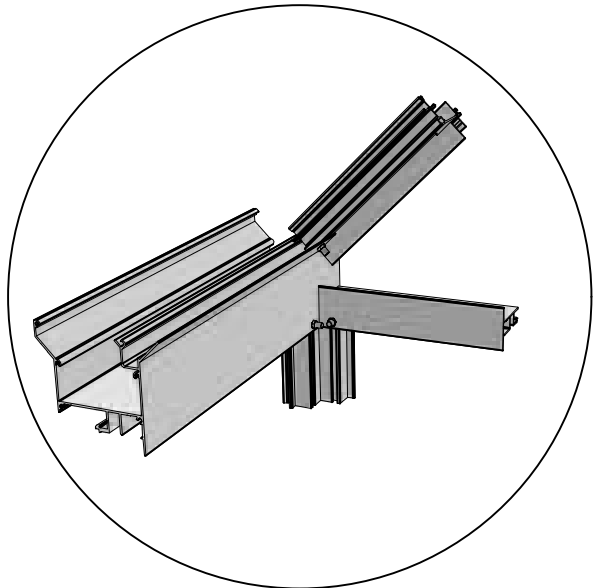
 = M6x16

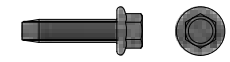


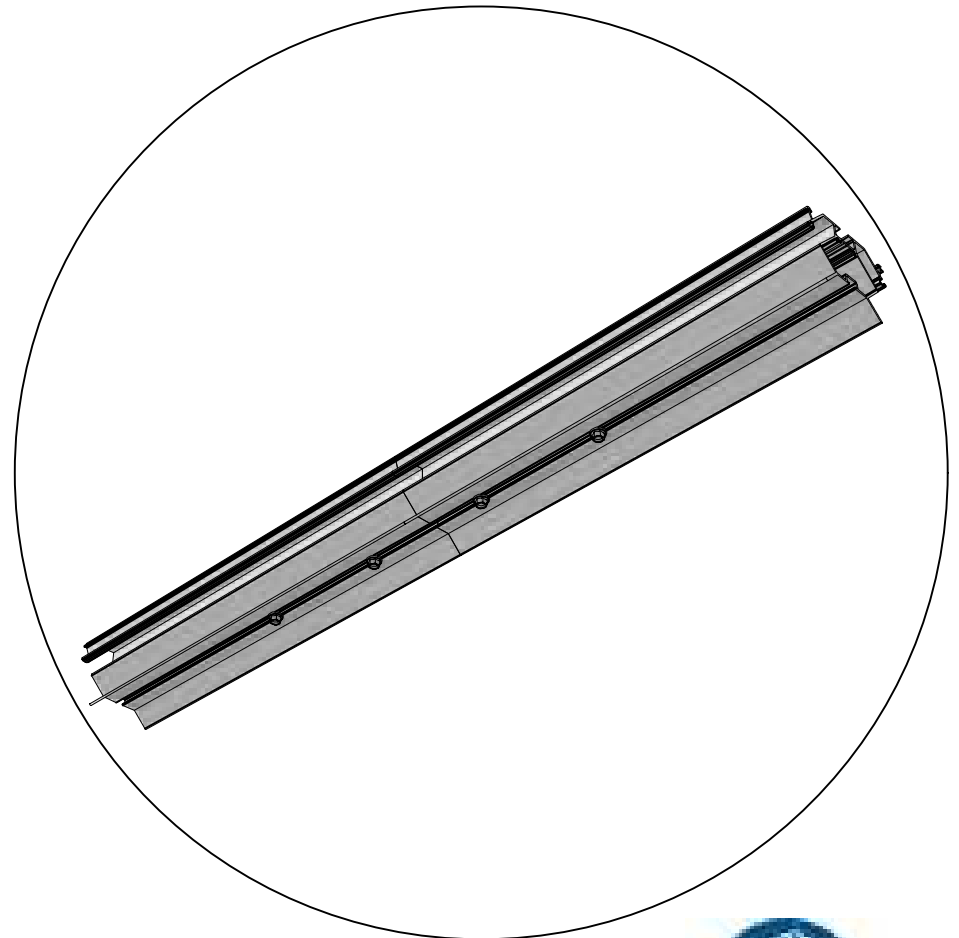
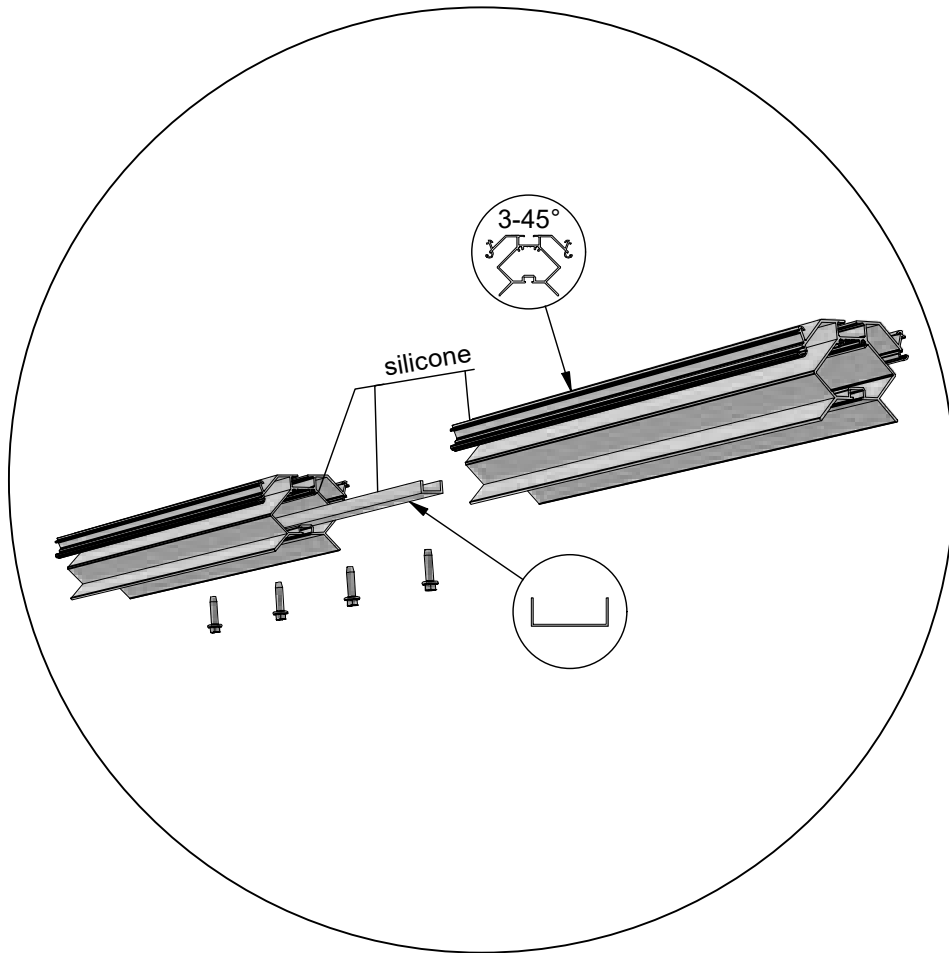
 = M6x16

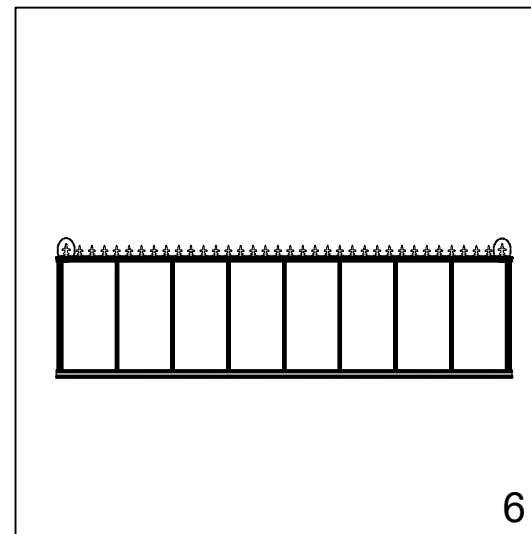
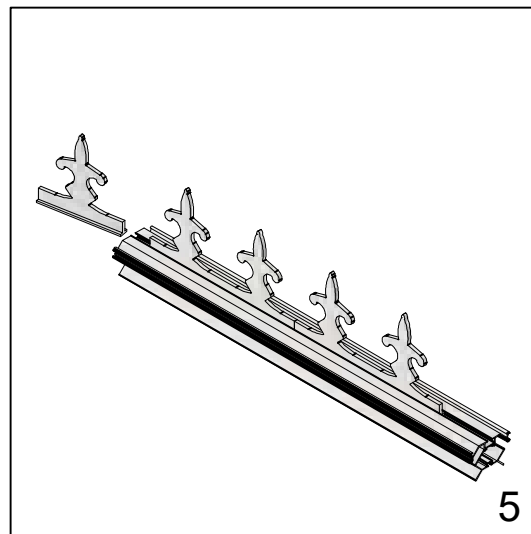
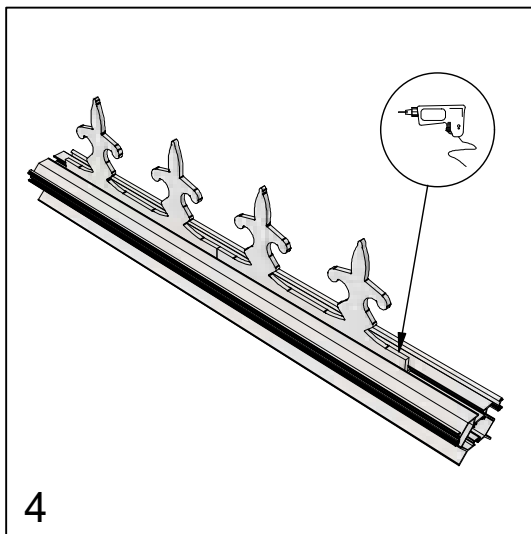
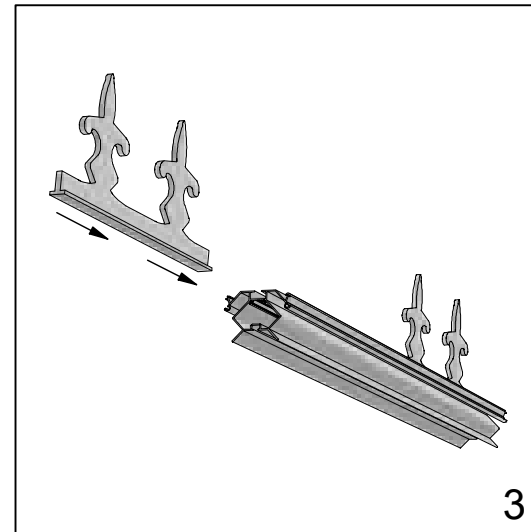
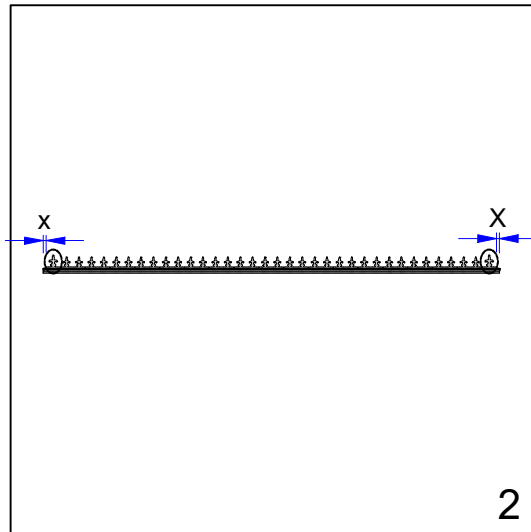
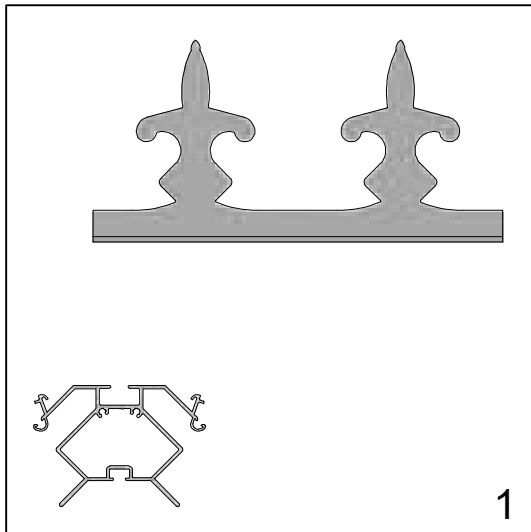


 = M6x12

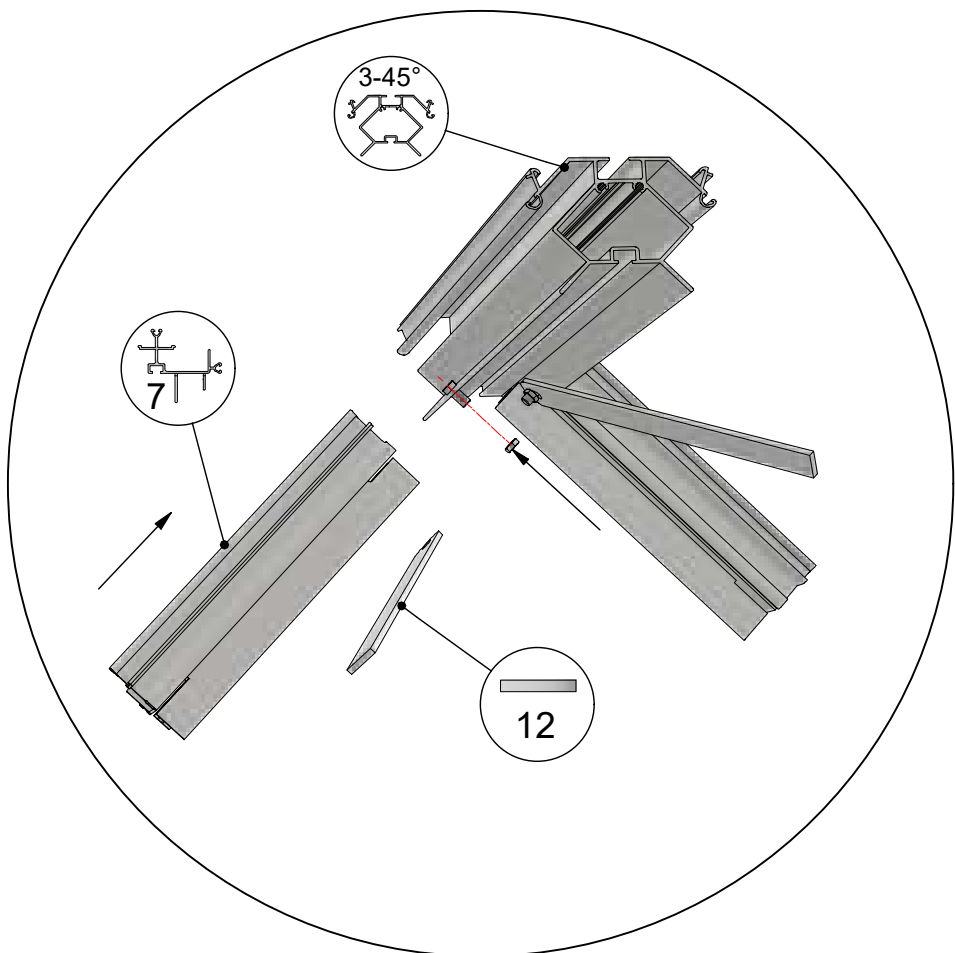
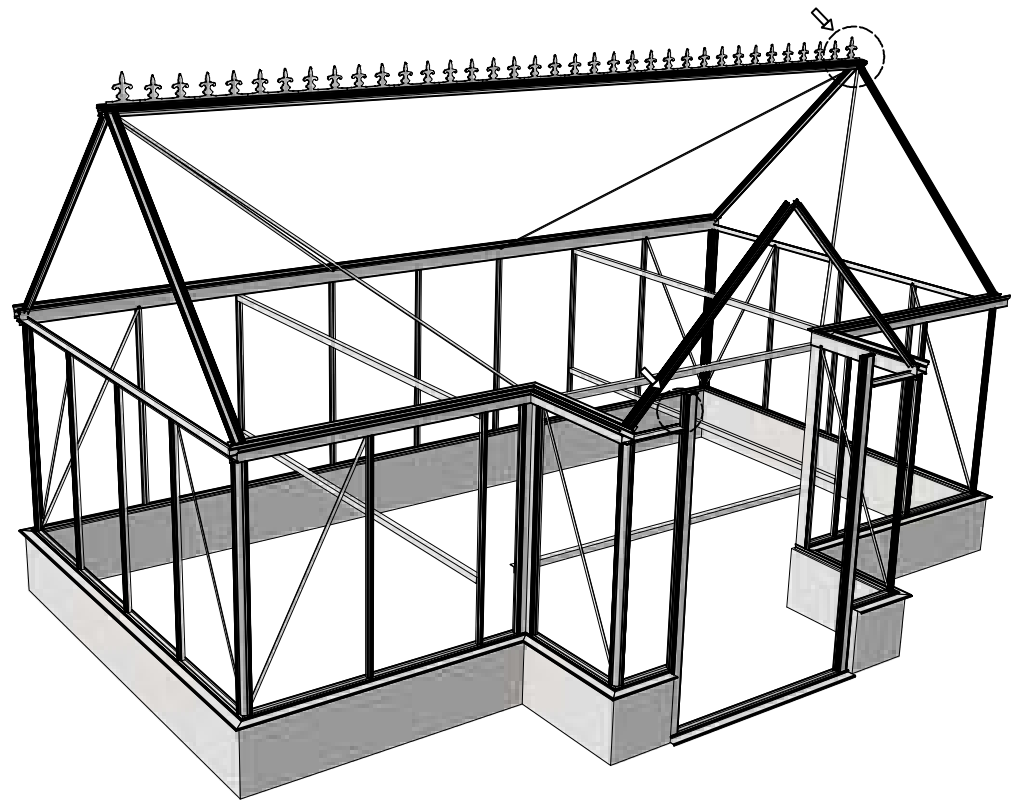


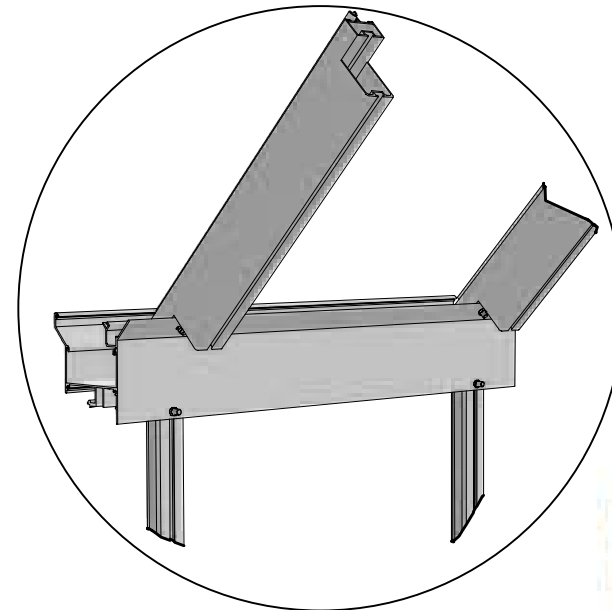
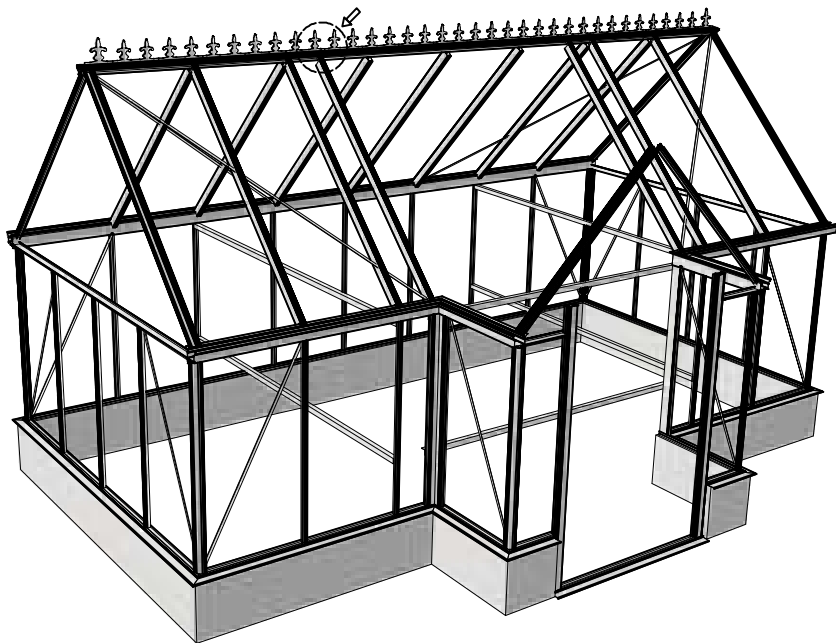
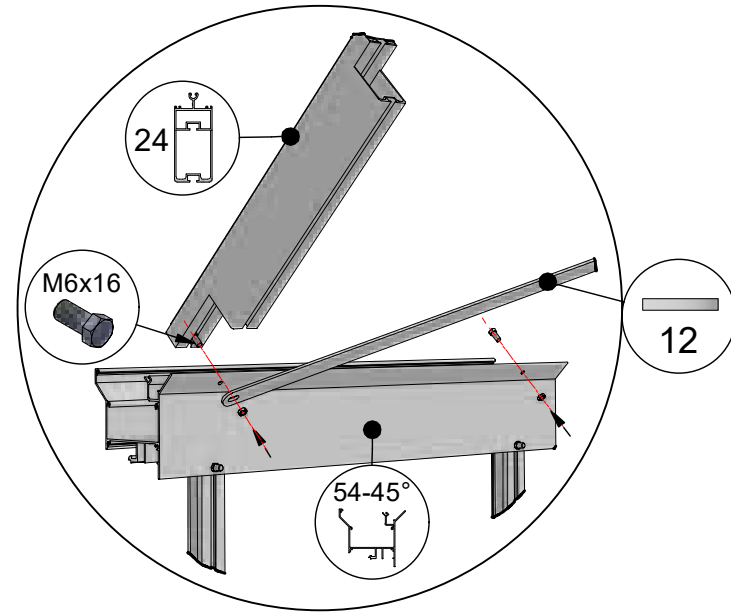
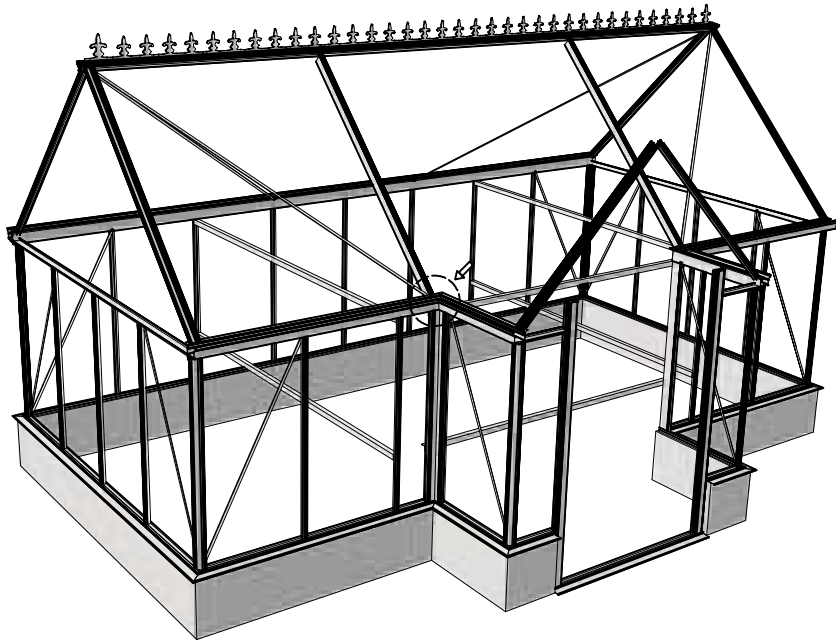
 = 6x25 (4x)



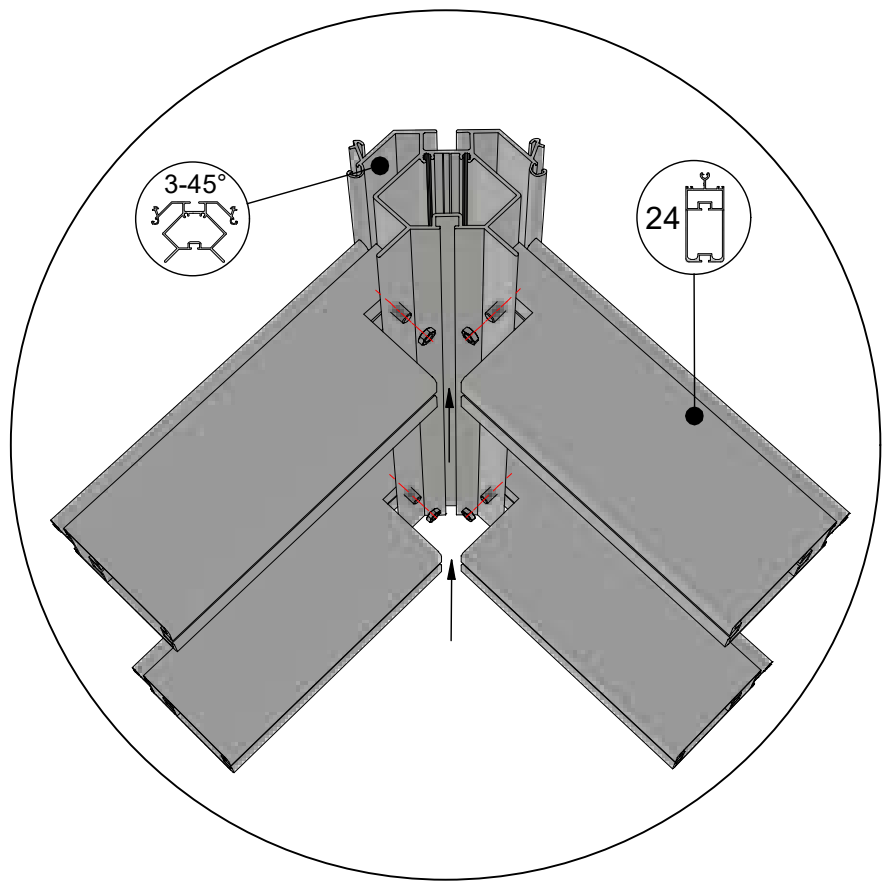
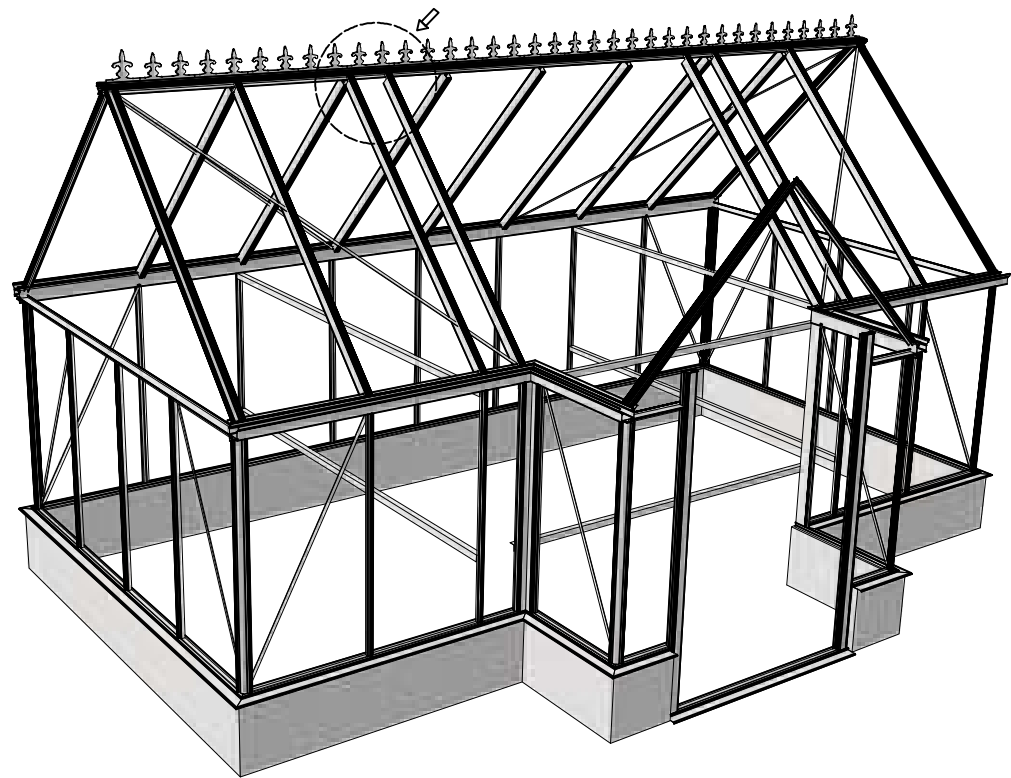
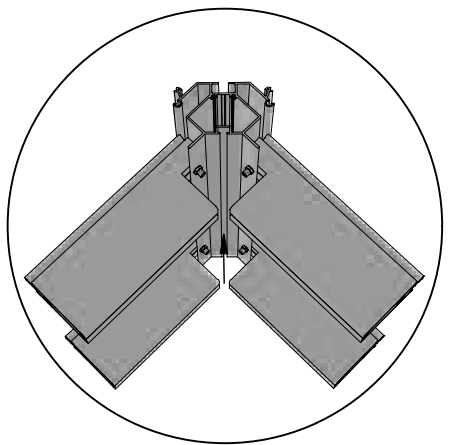


 = M6x12

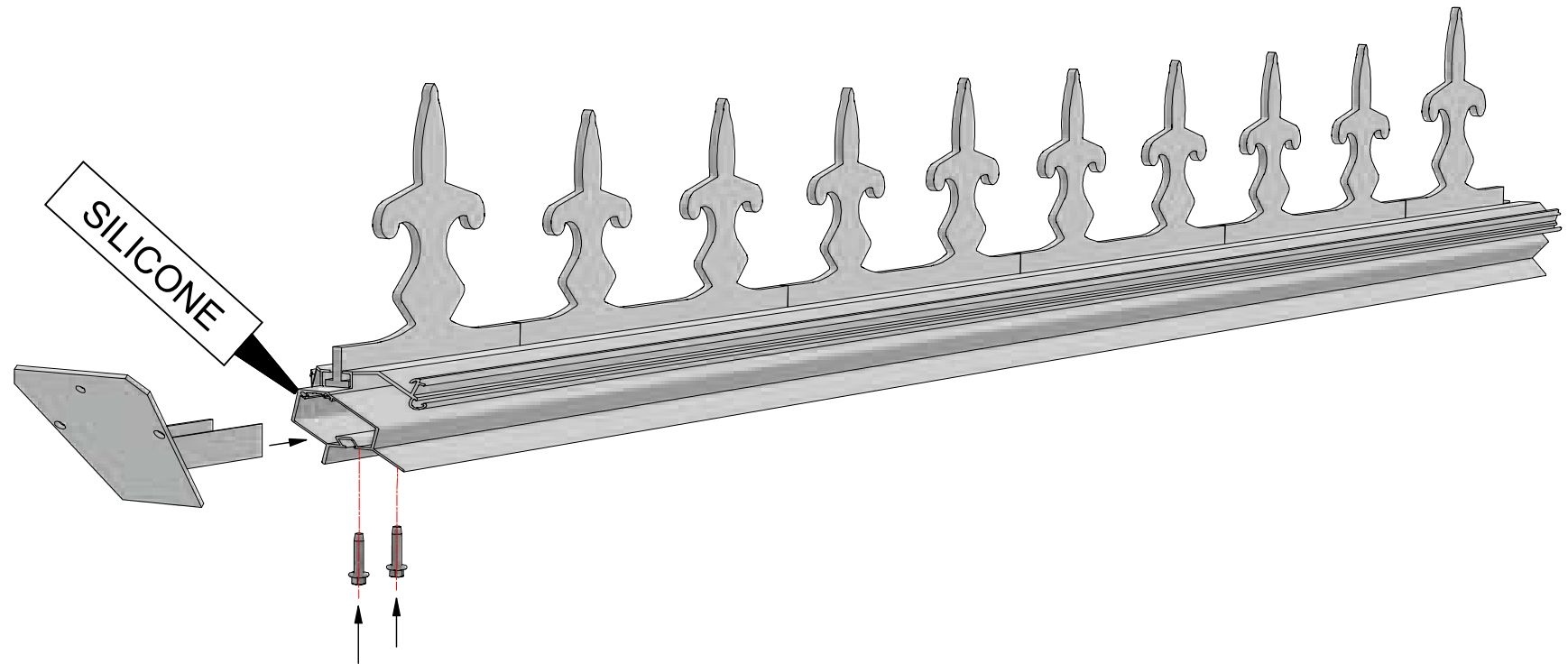


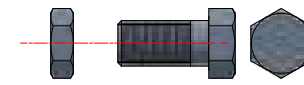


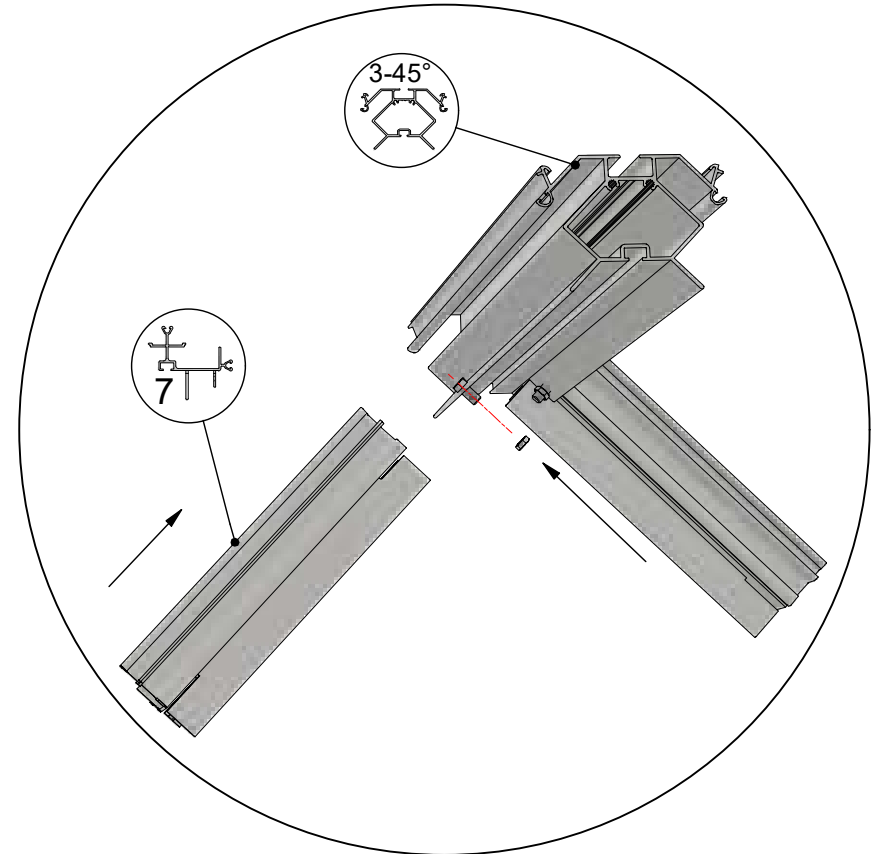
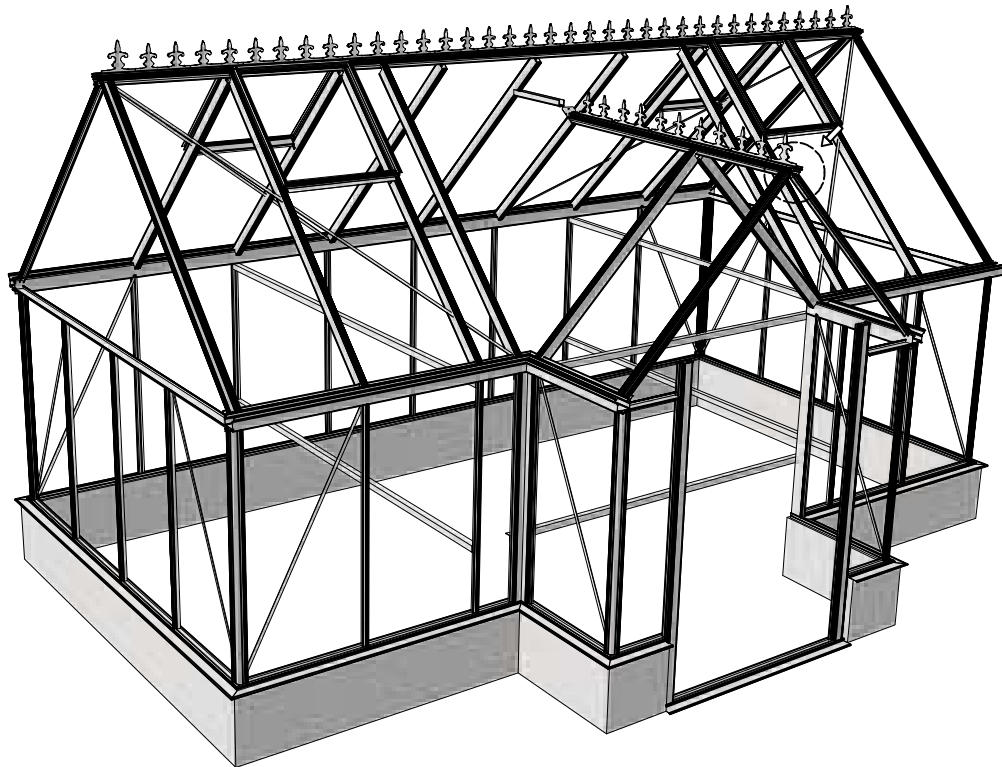
 = M6x12

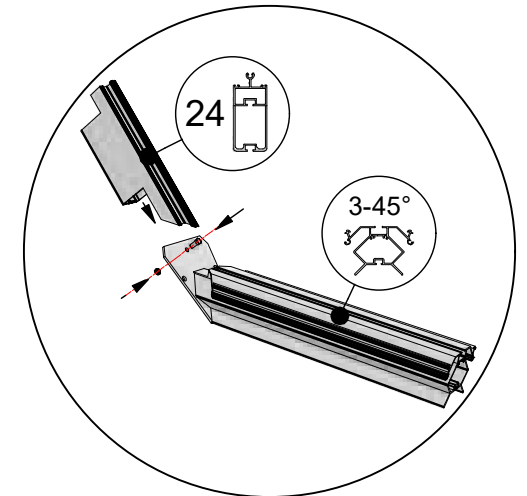
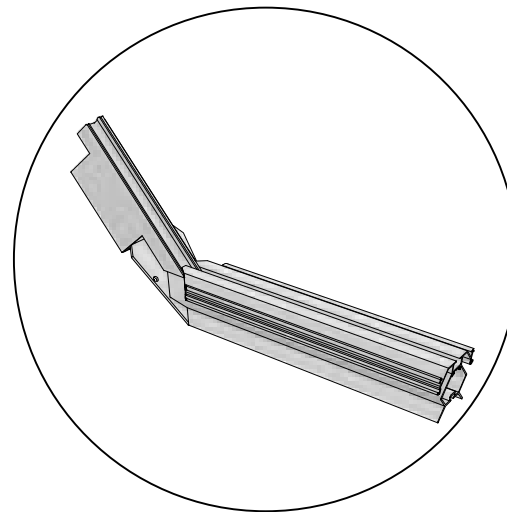
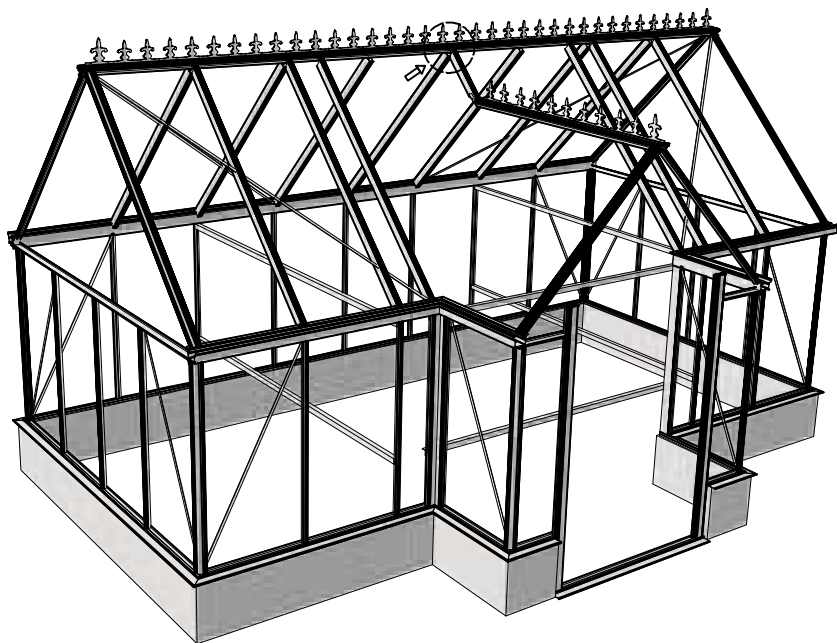
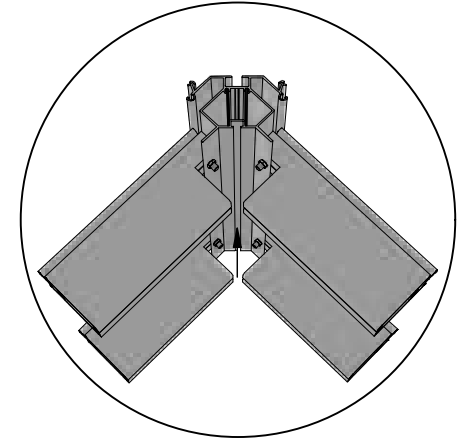
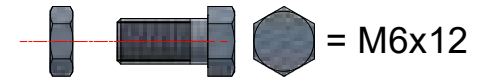
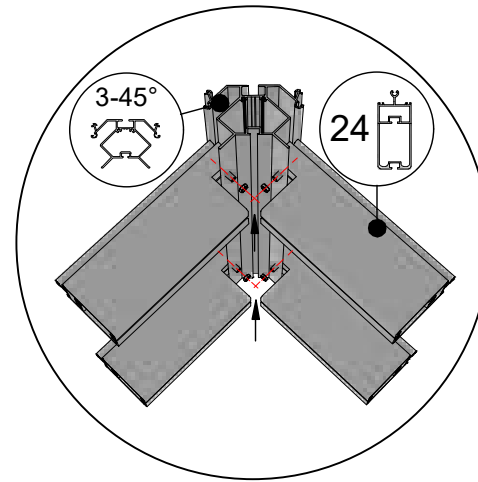
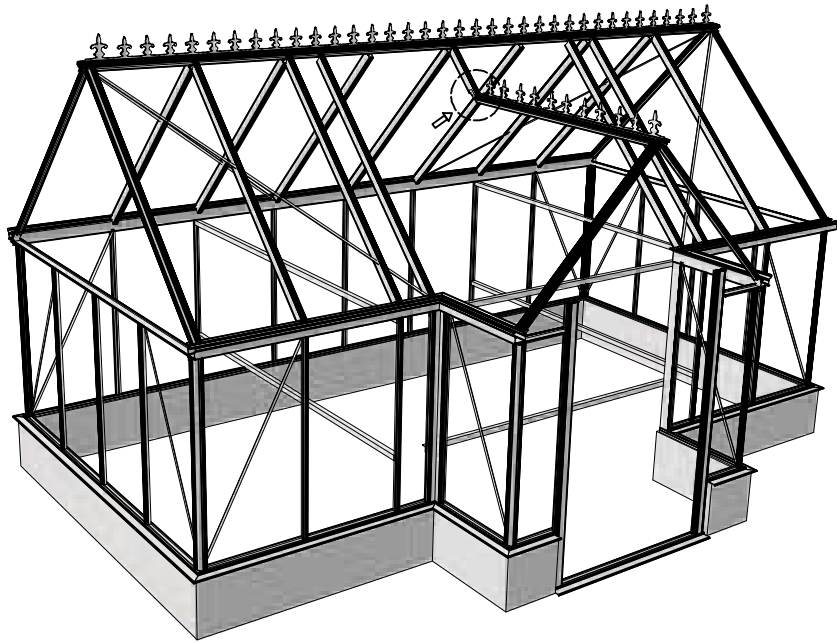


 = 6x25

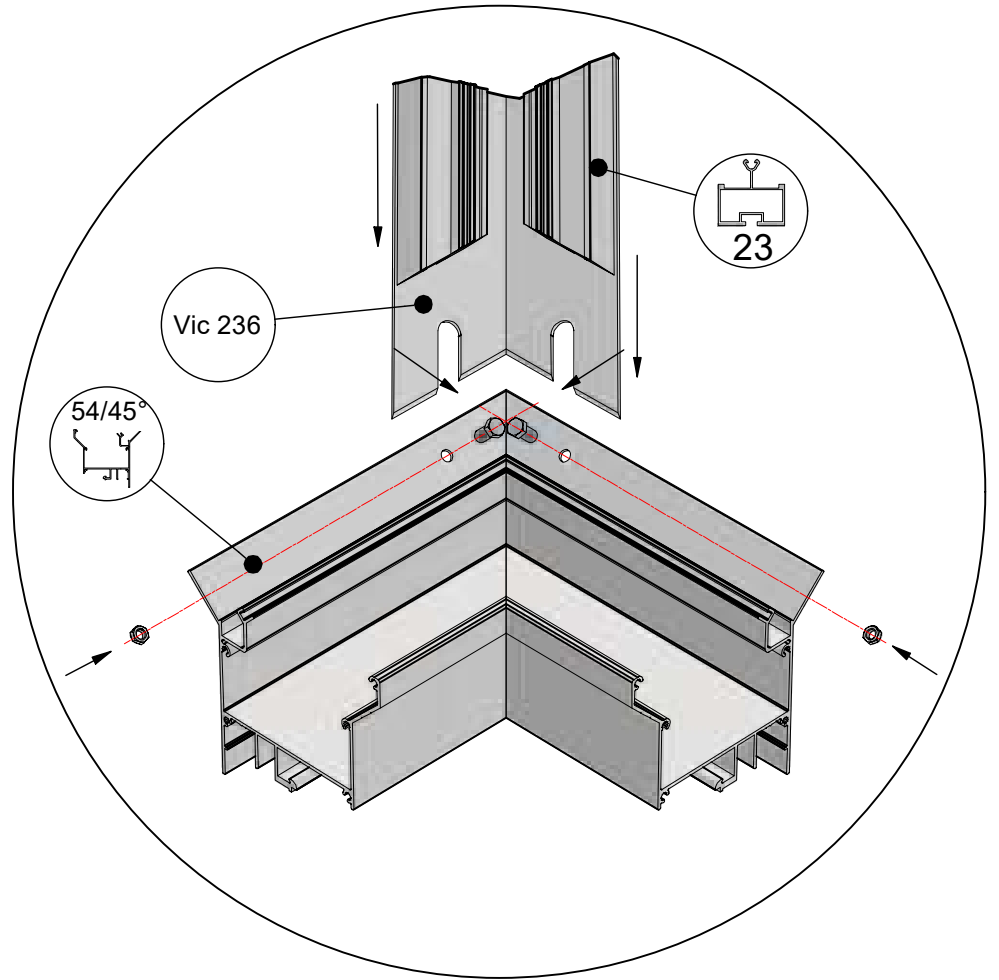
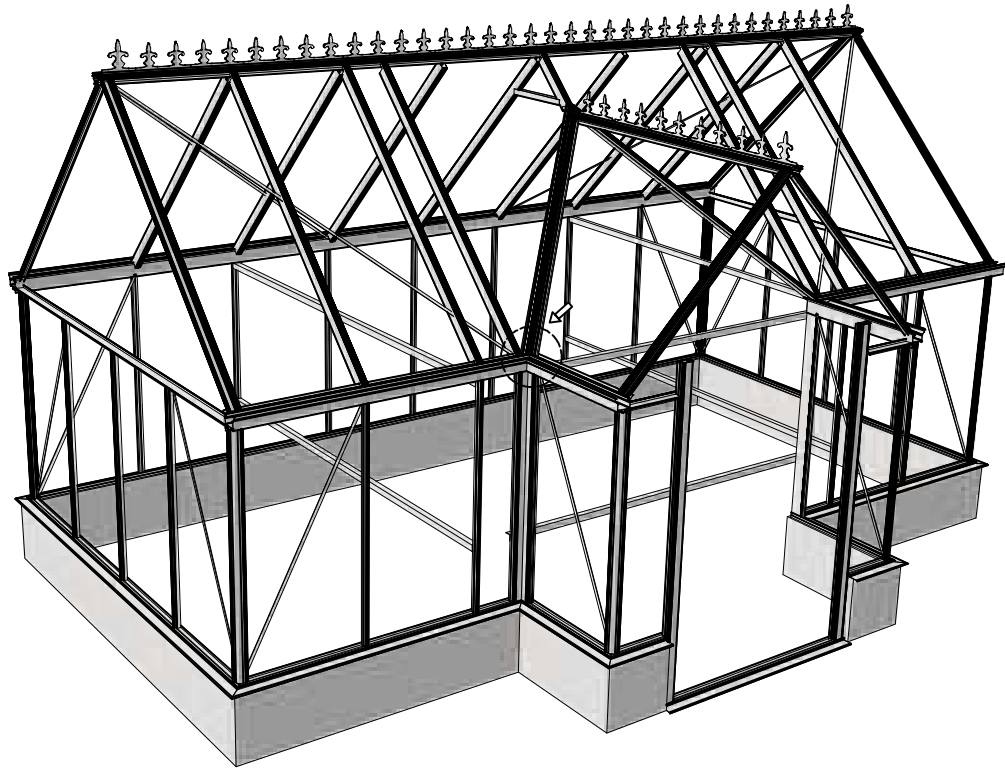
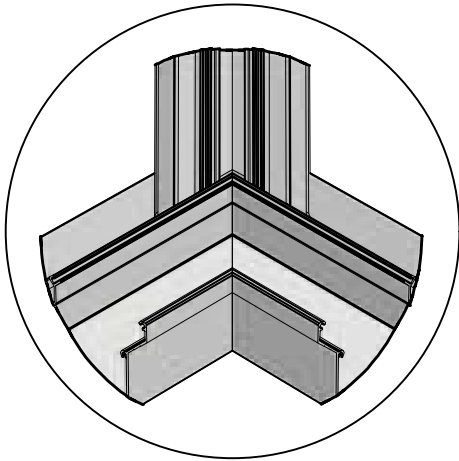


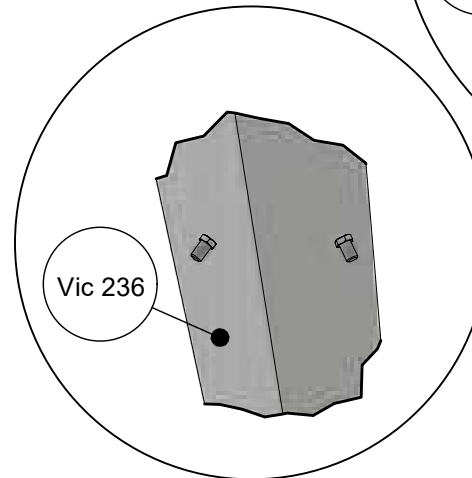
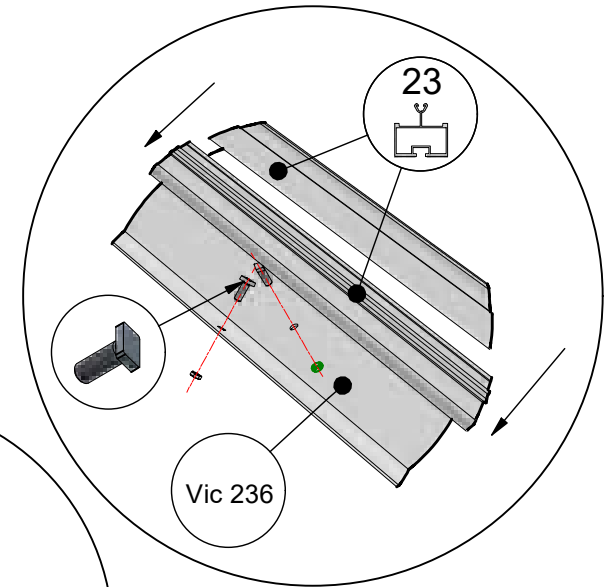
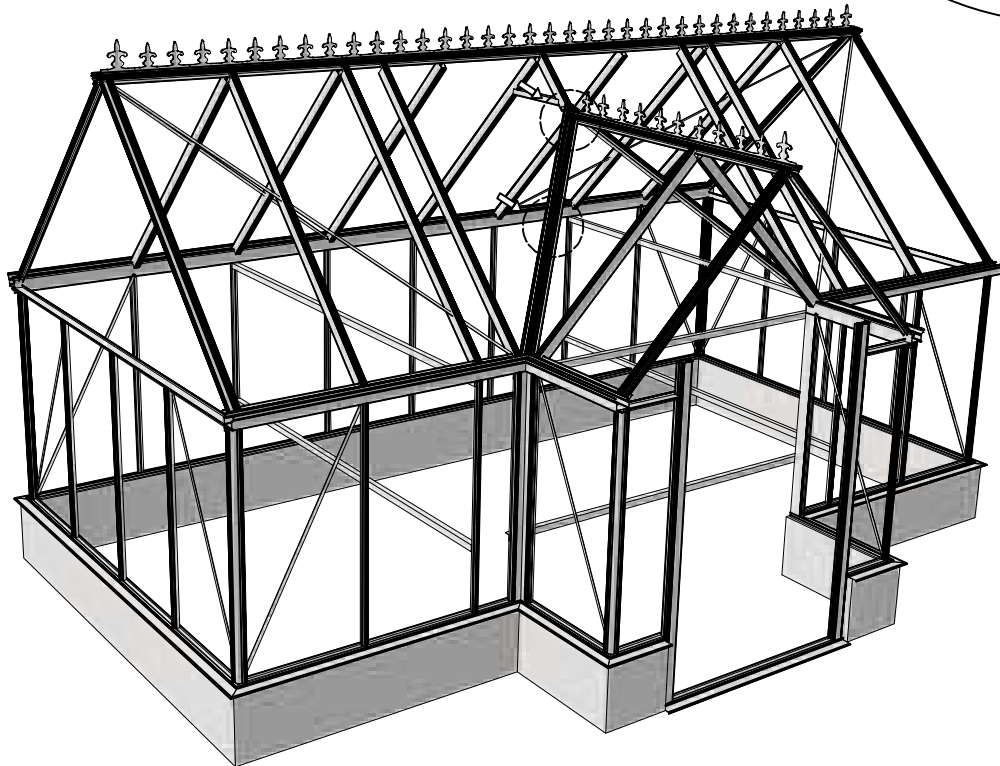
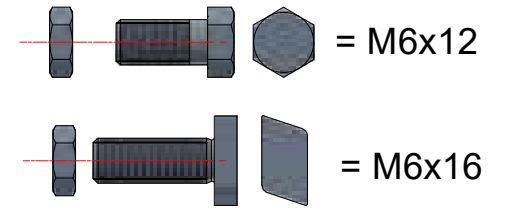
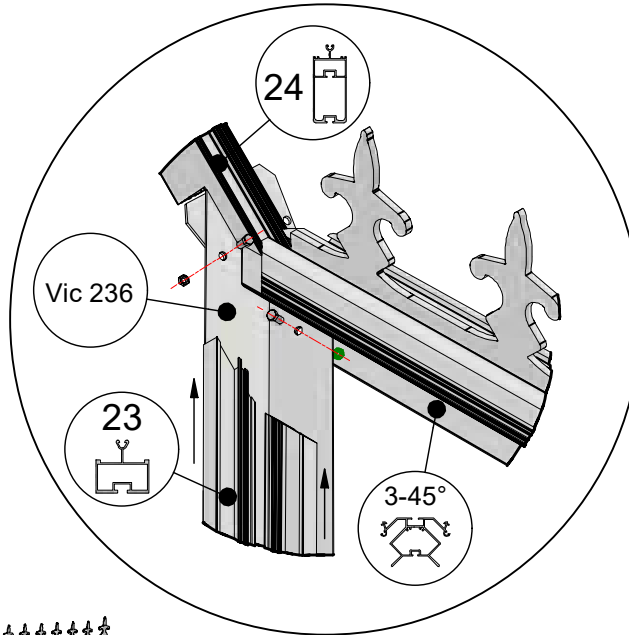
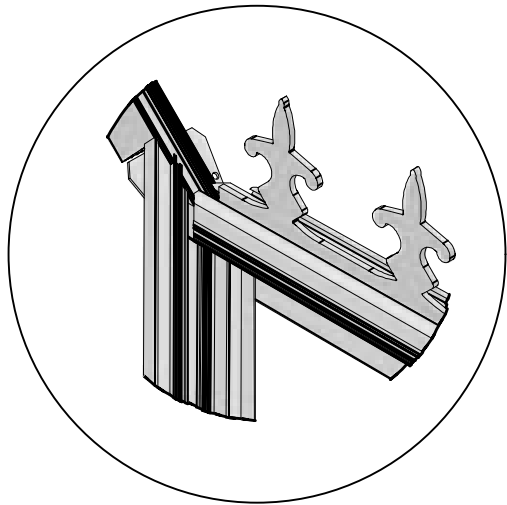
 = M6x12

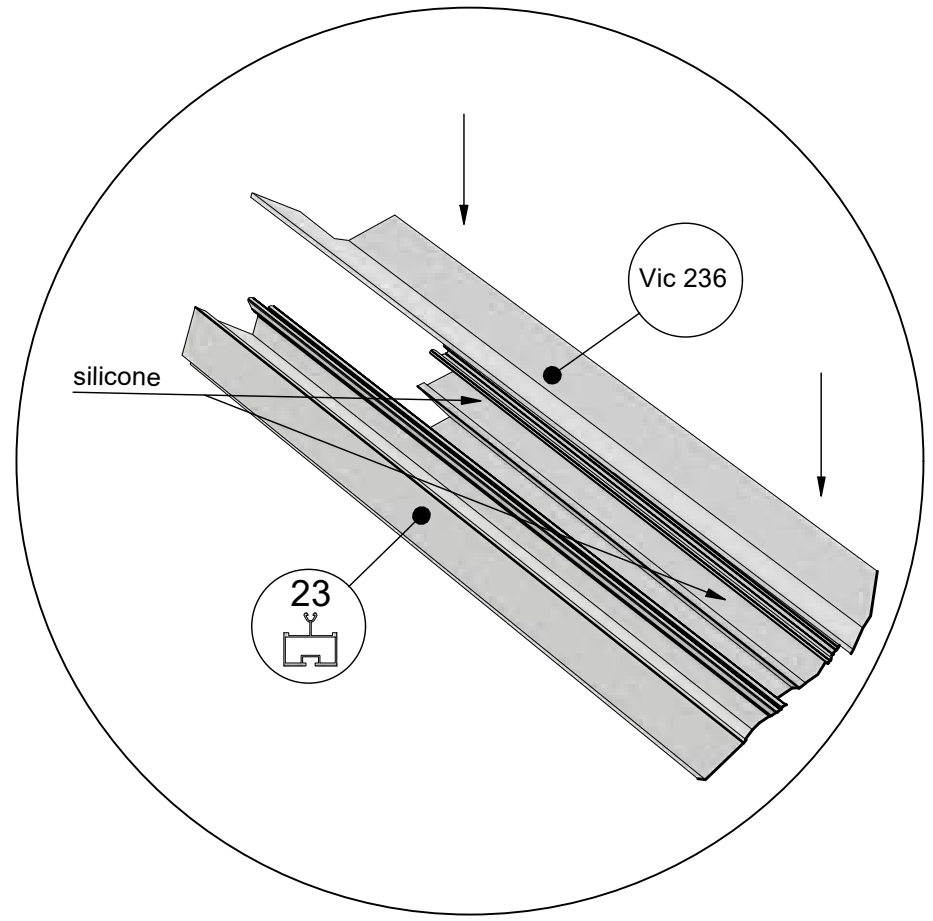
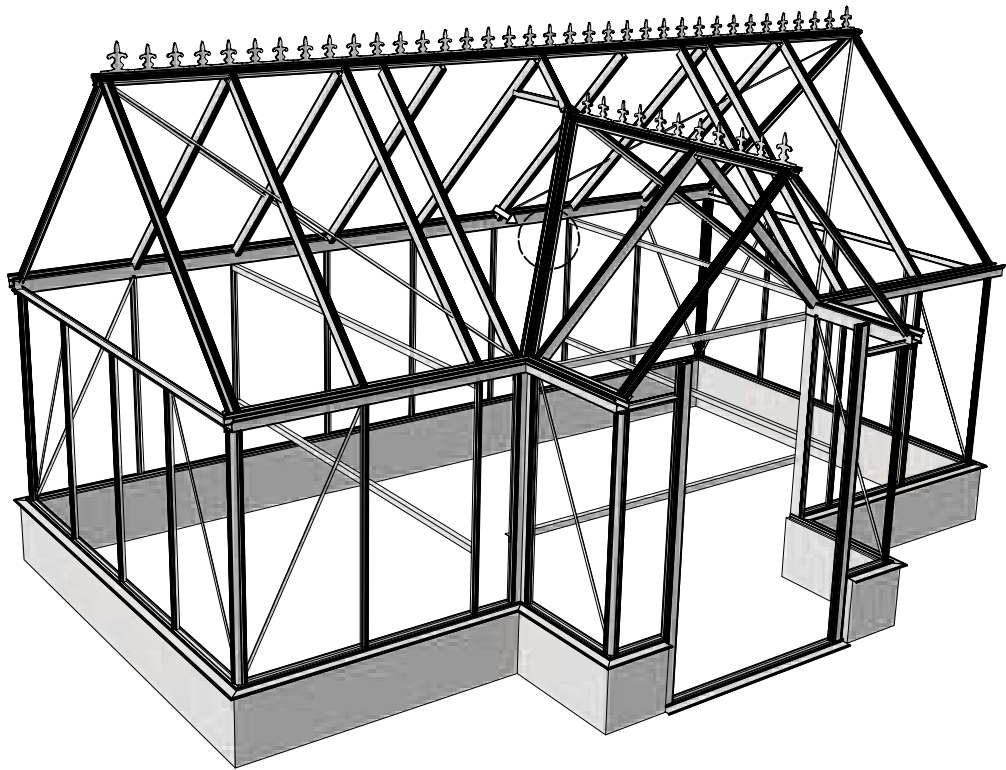
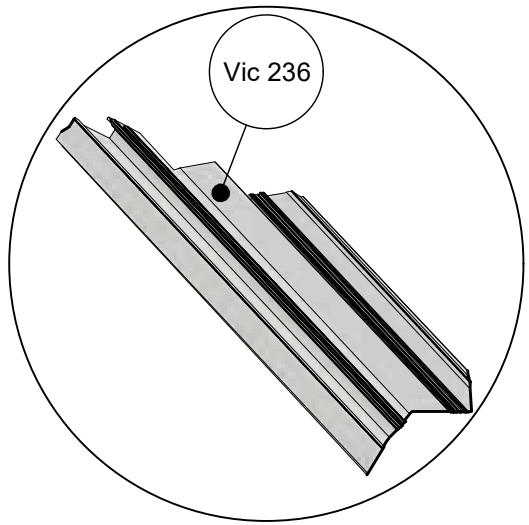


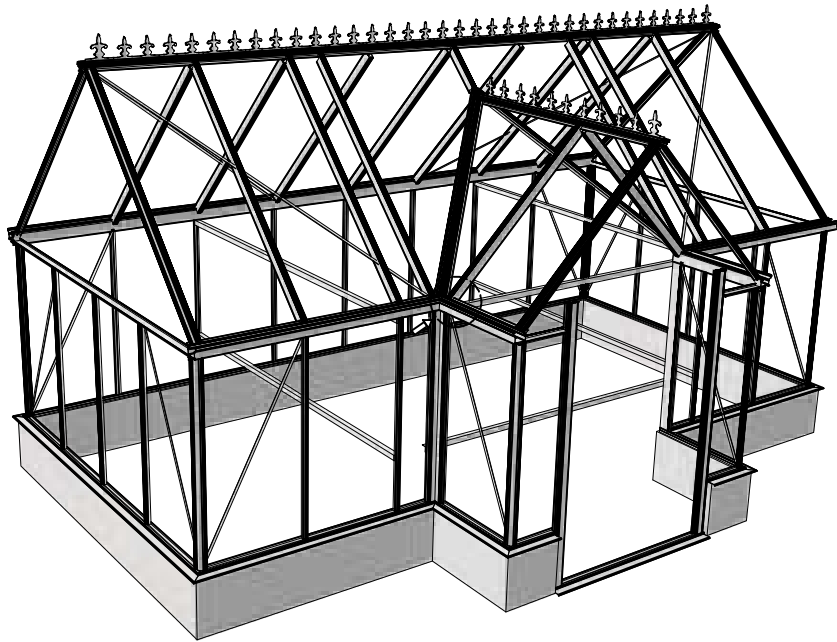


 = M6x12

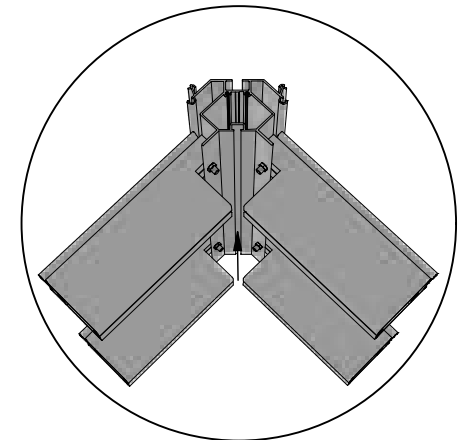
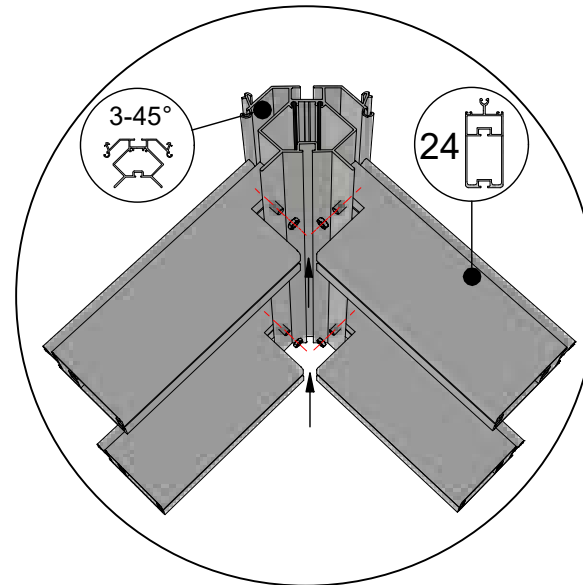
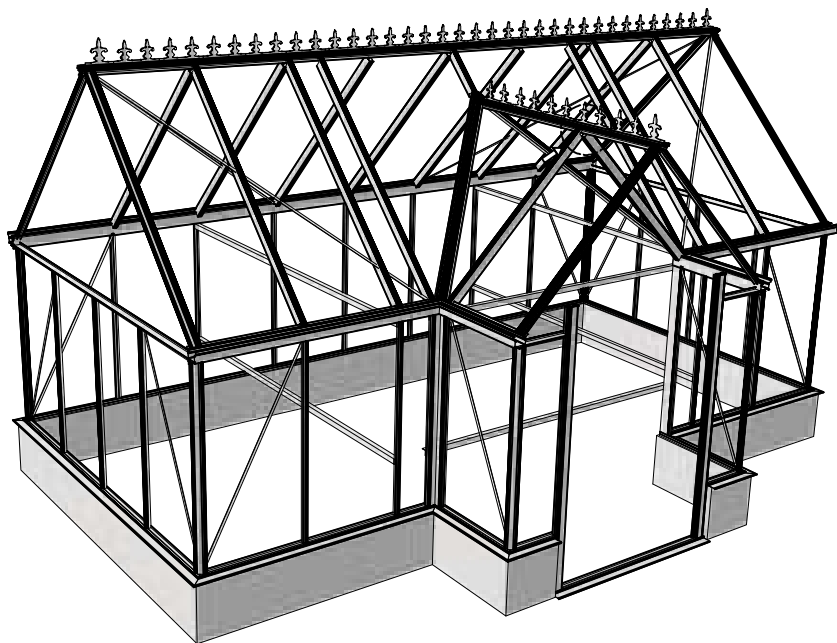
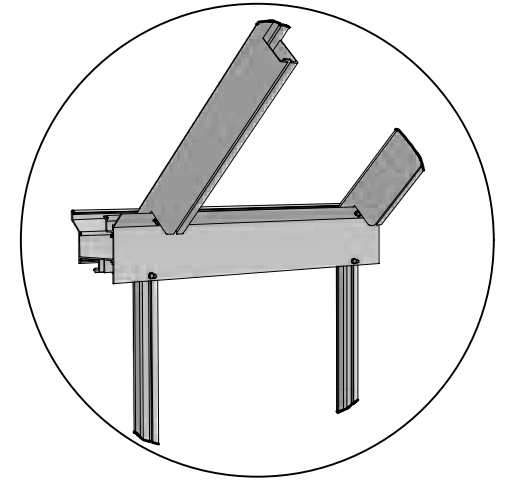
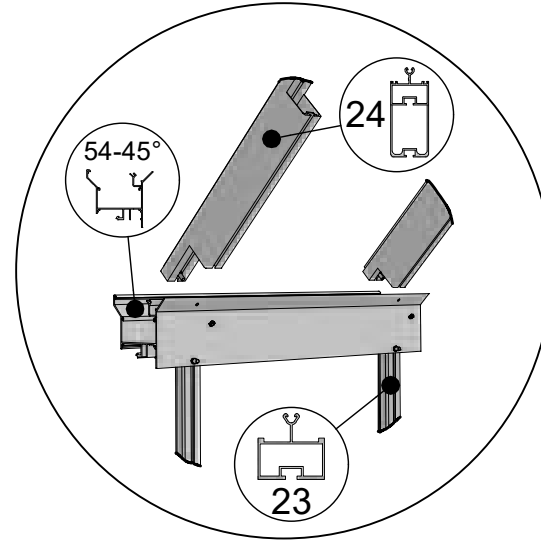


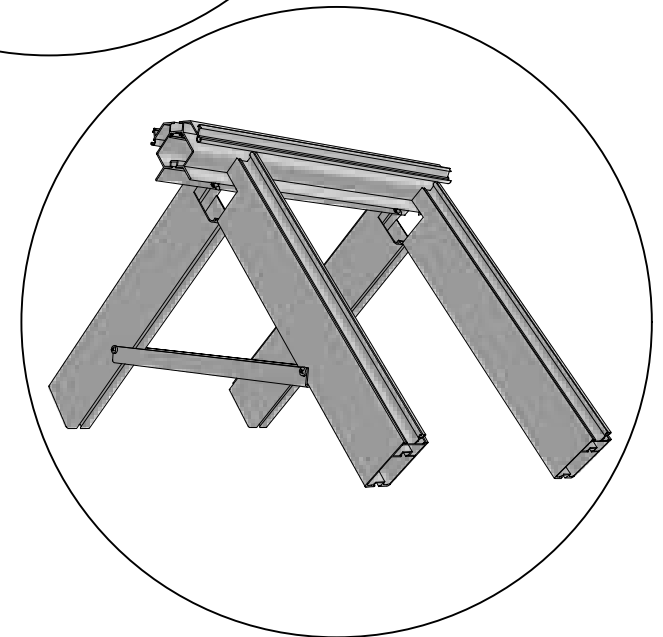
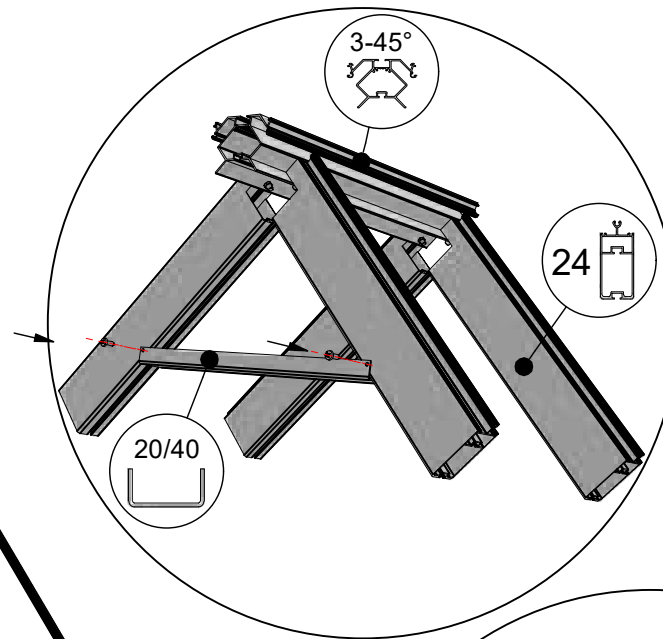
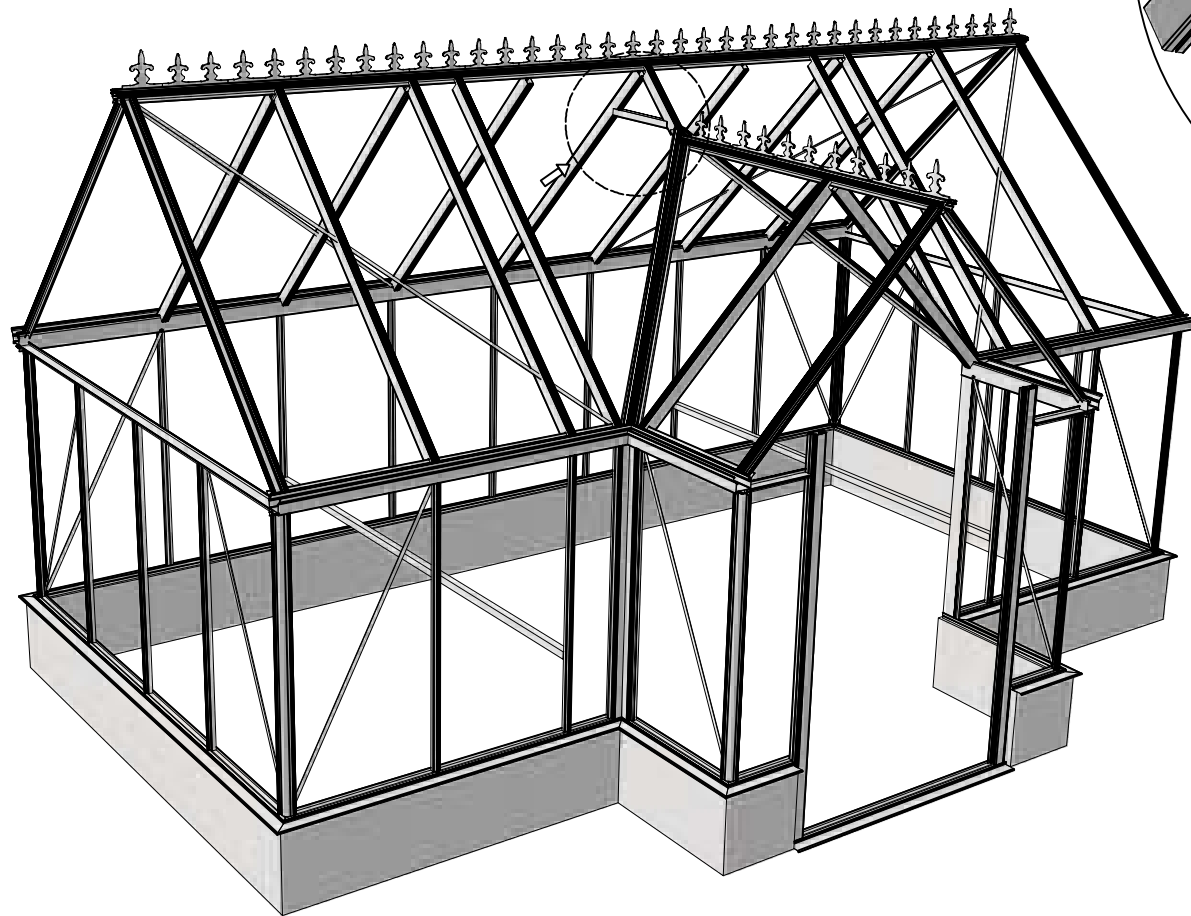
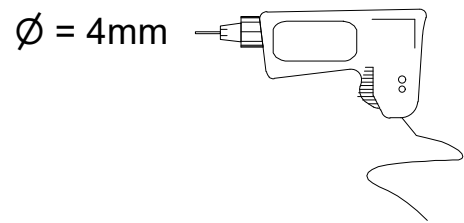
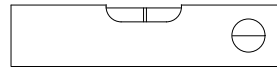


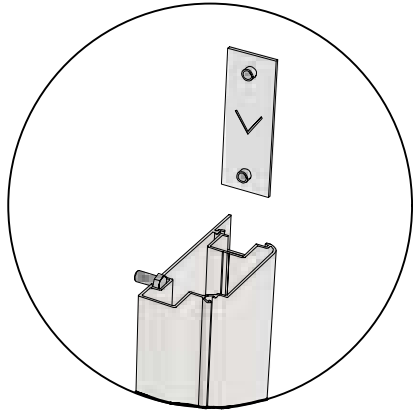




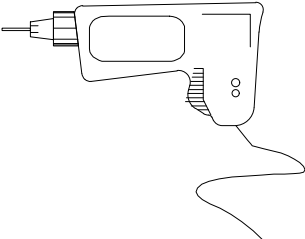
 = M6x12

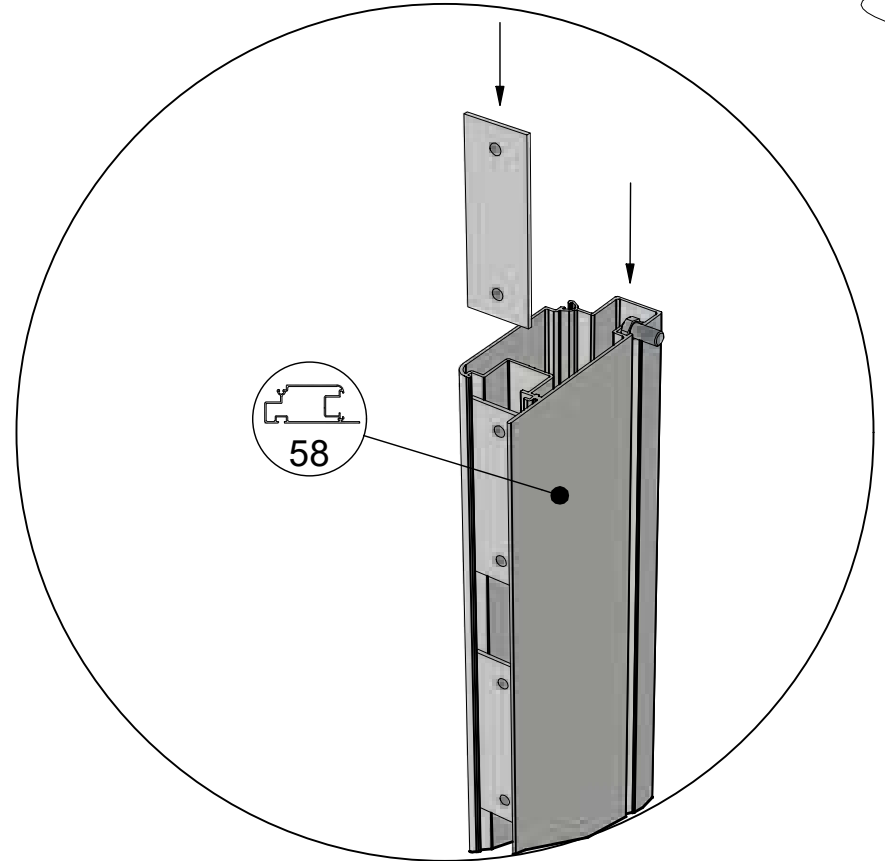
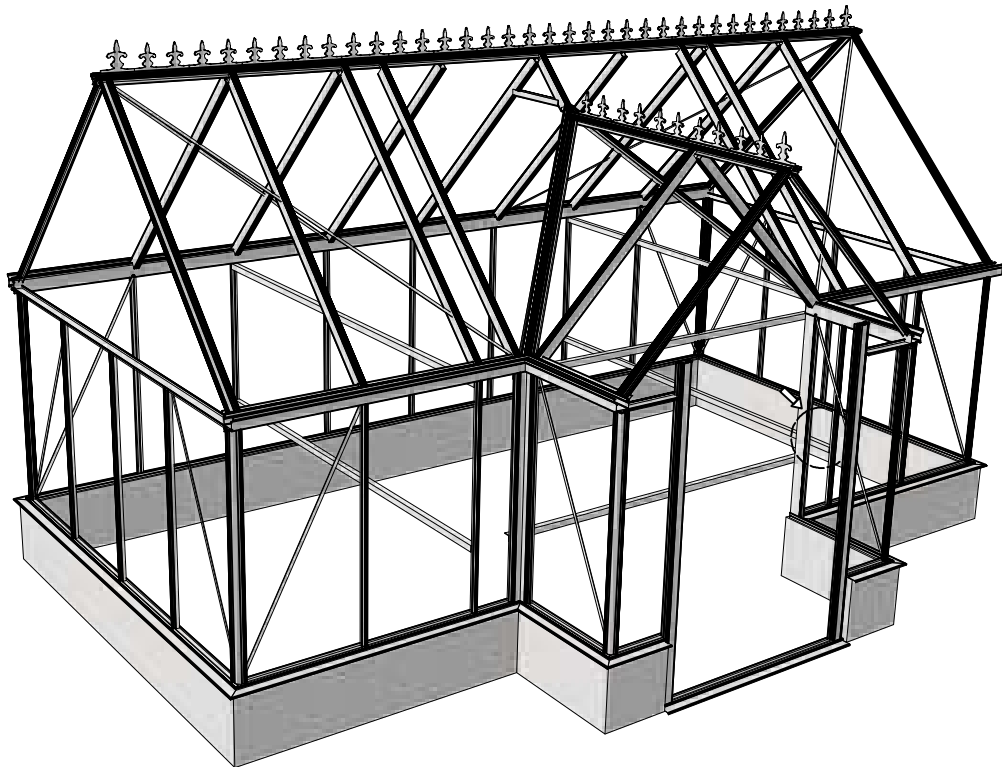




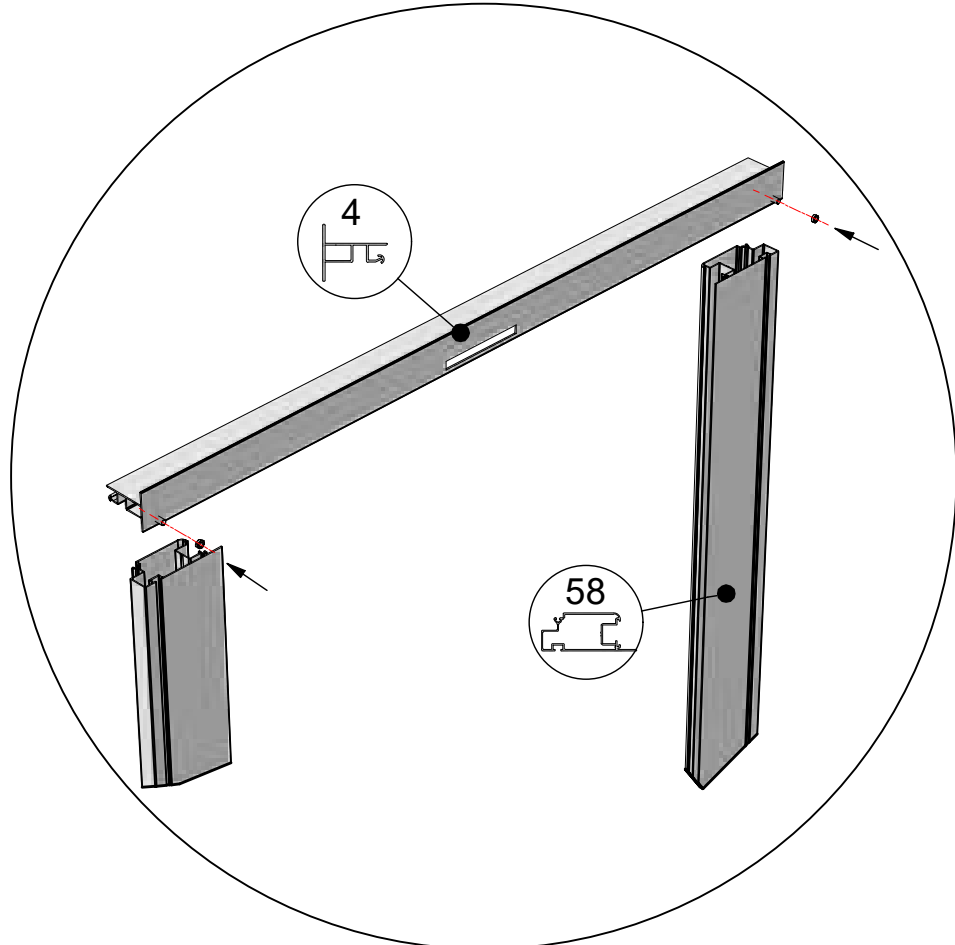
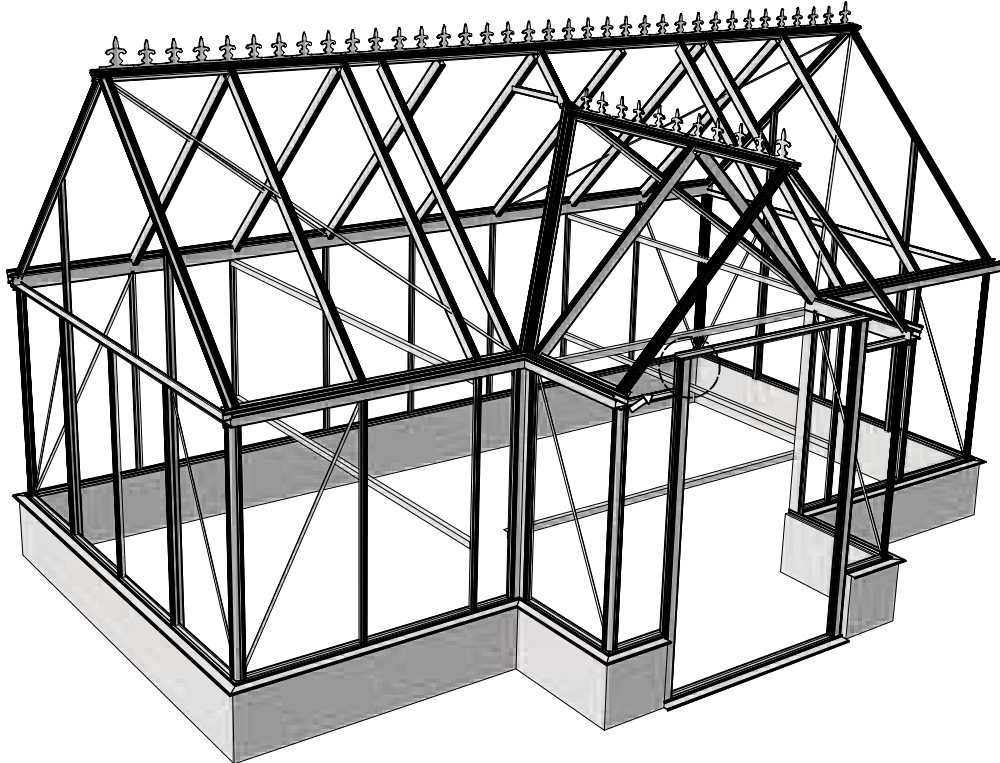
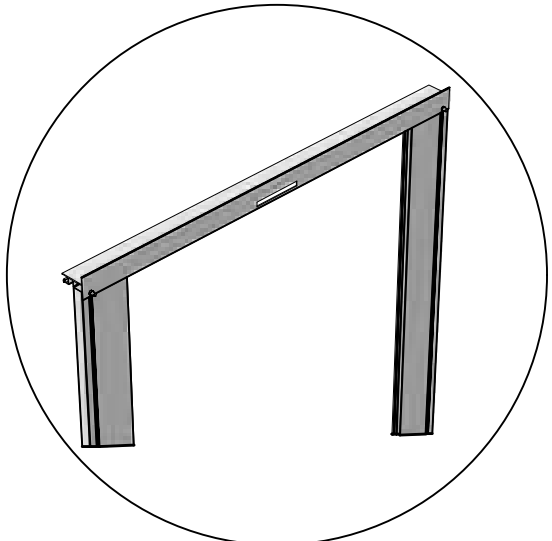


  = 4,2x25 (3x)

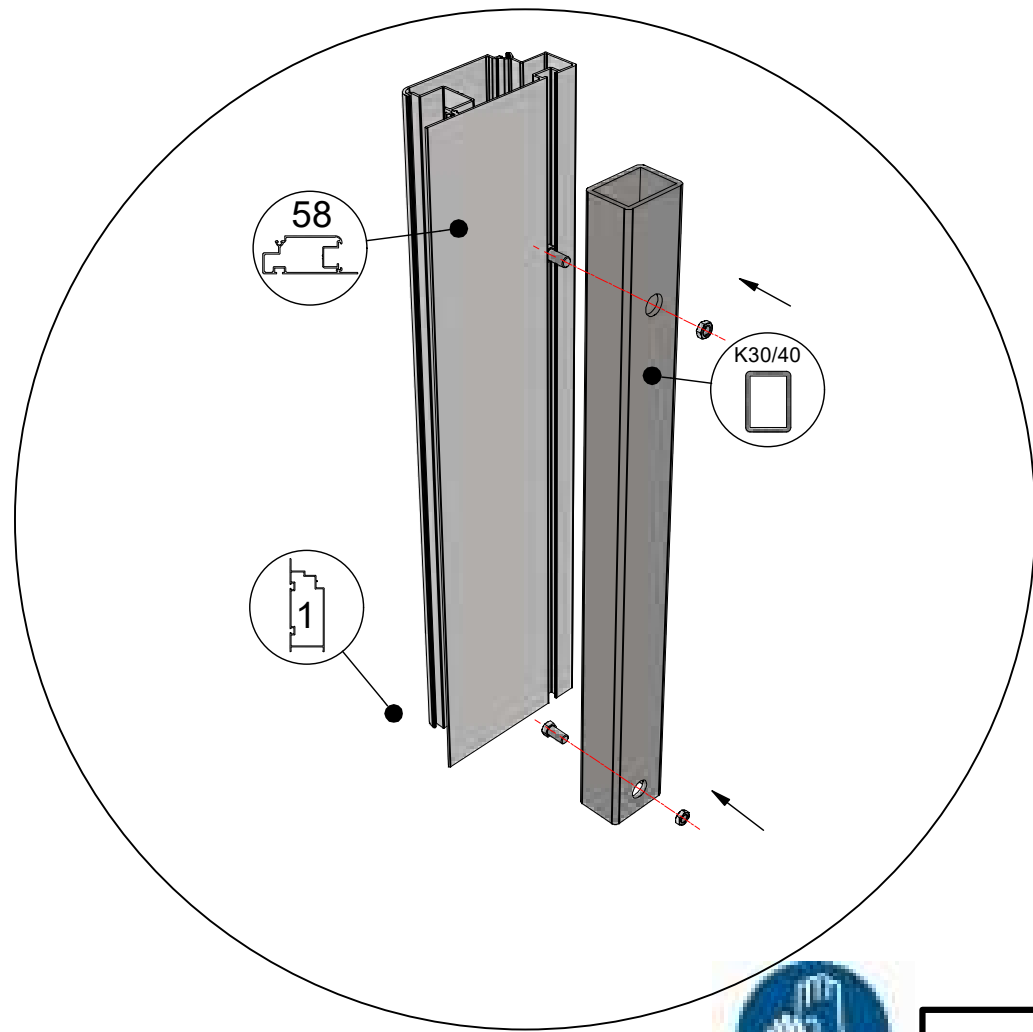
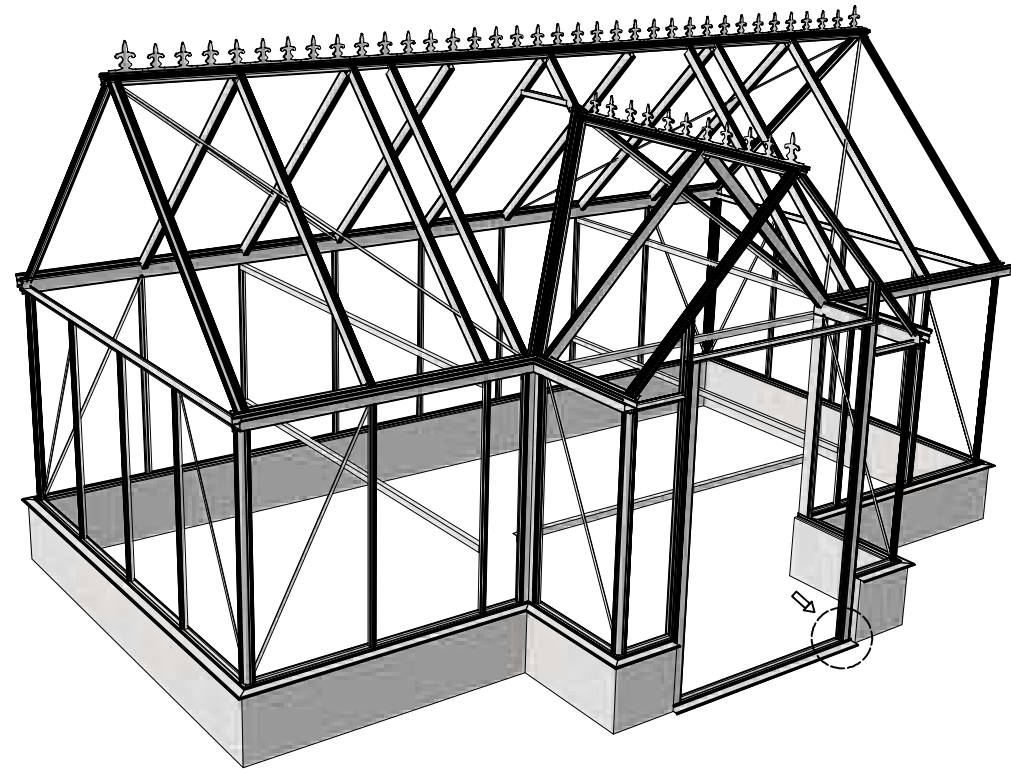
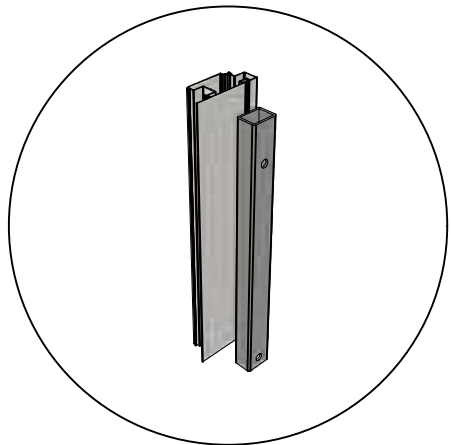
Ø4 mm 

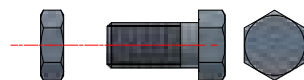


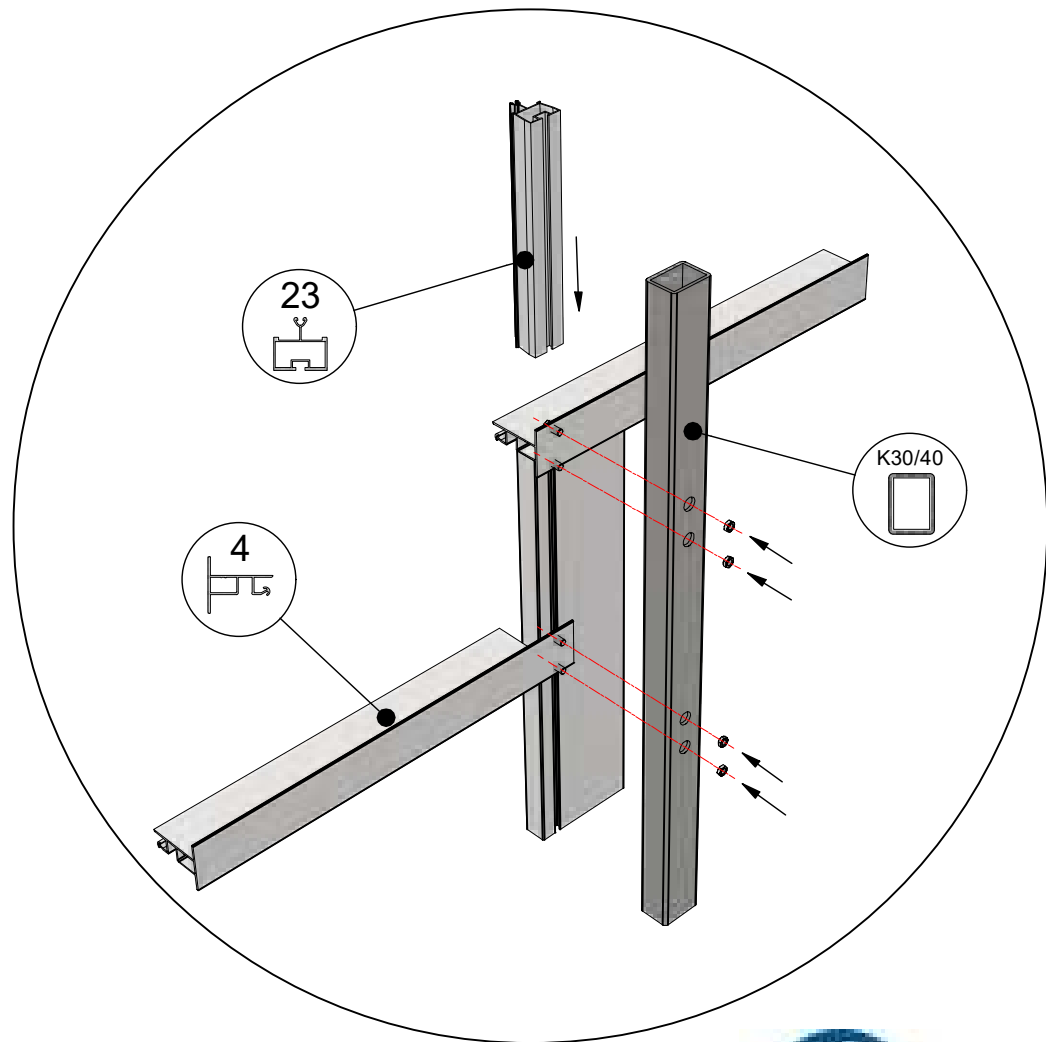
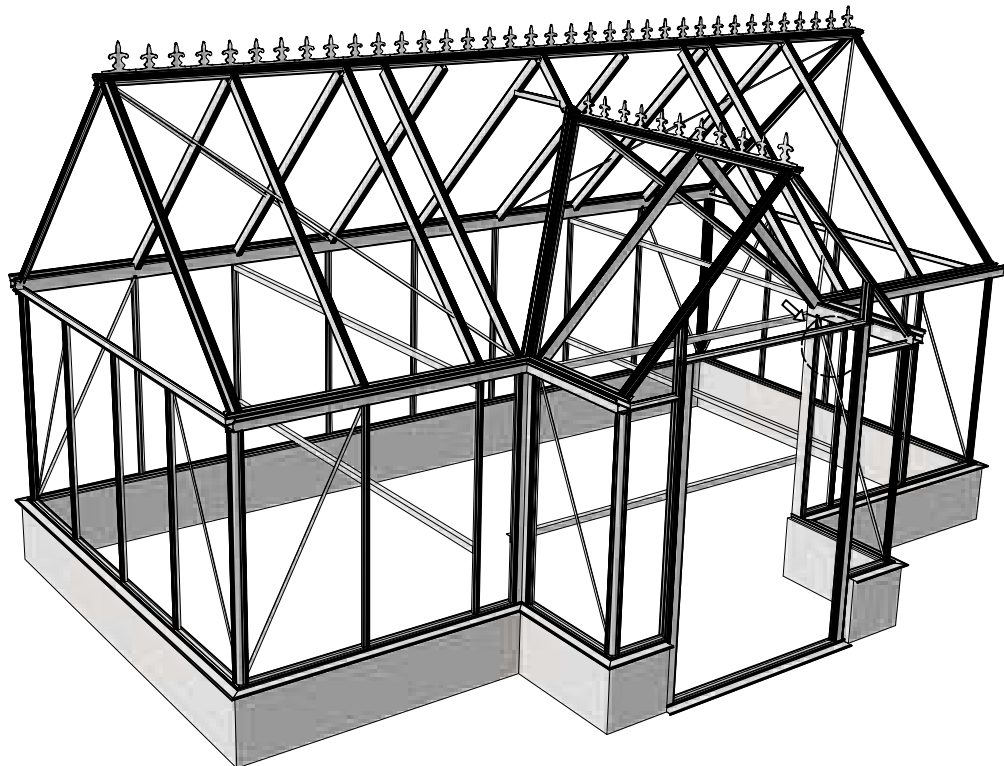
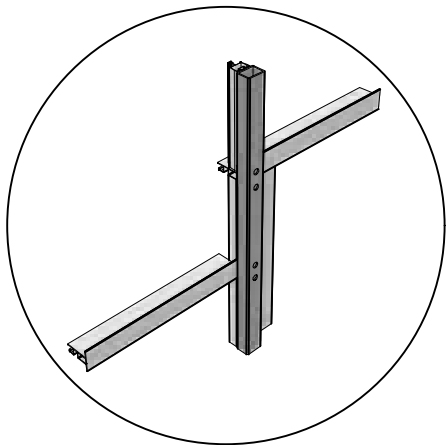
 = M6x12



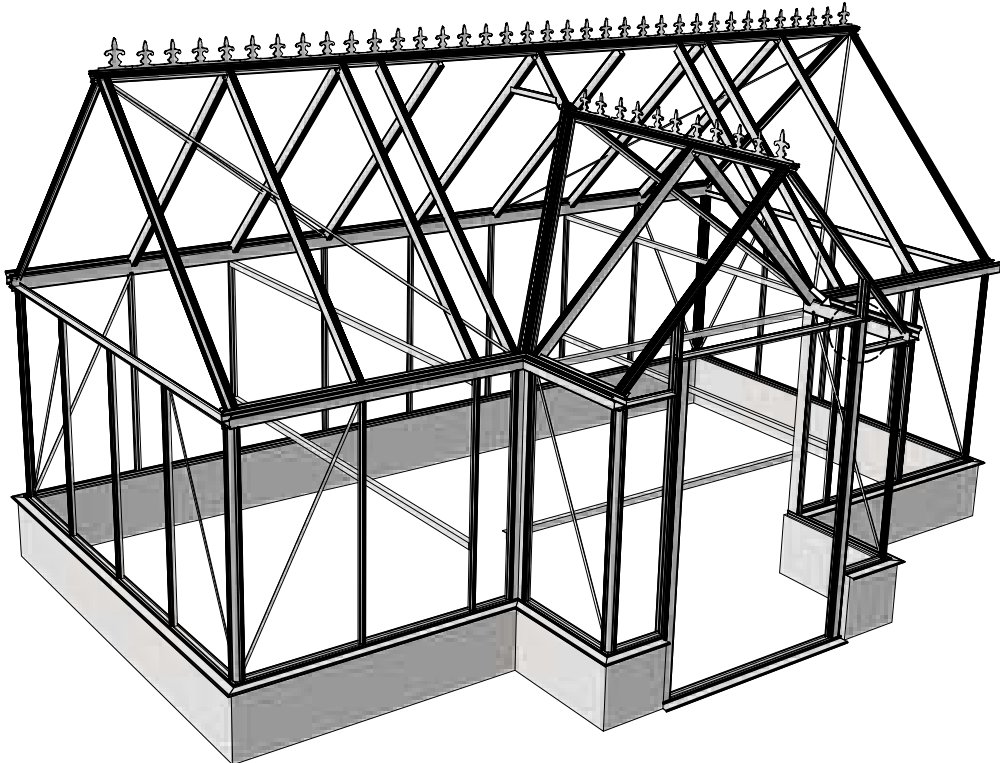
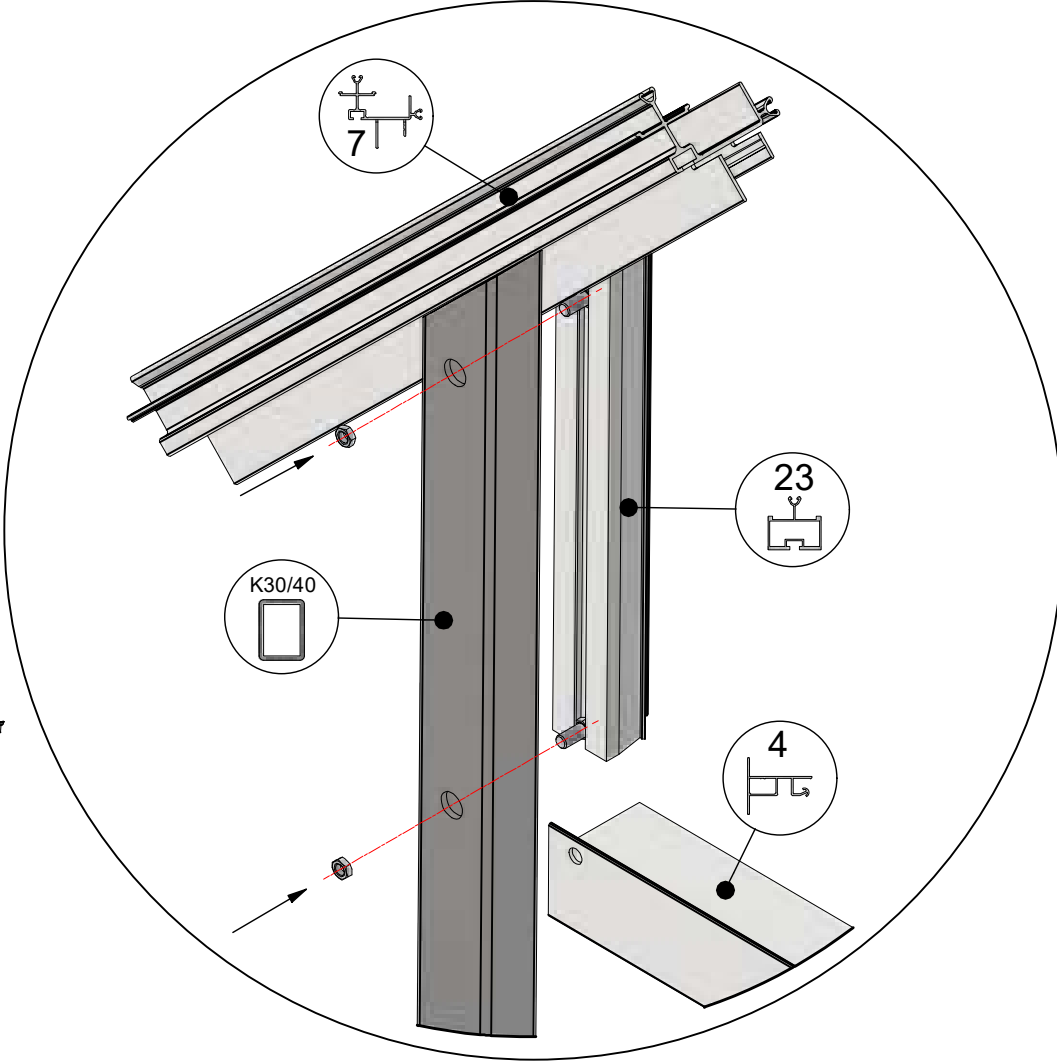
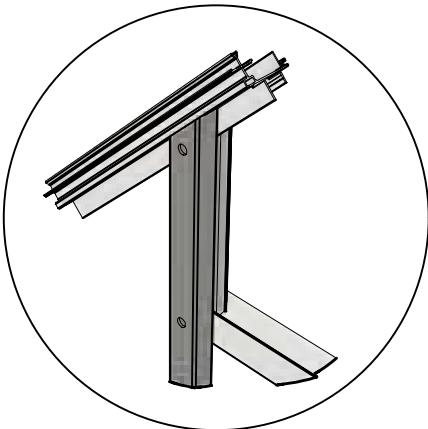
 = M6x12

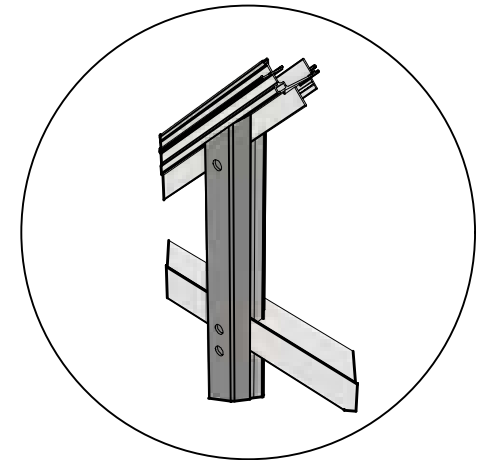
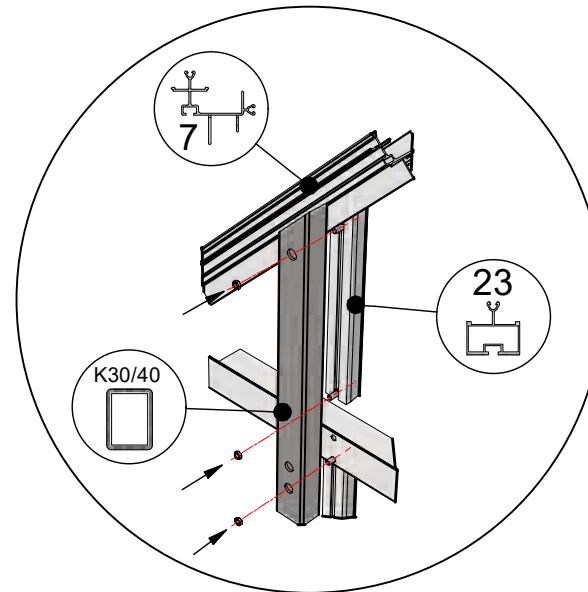
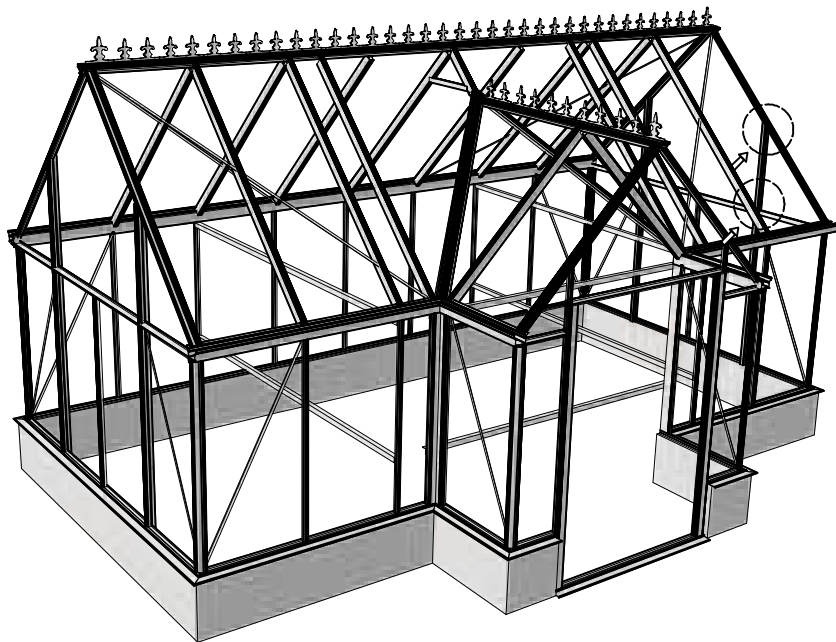
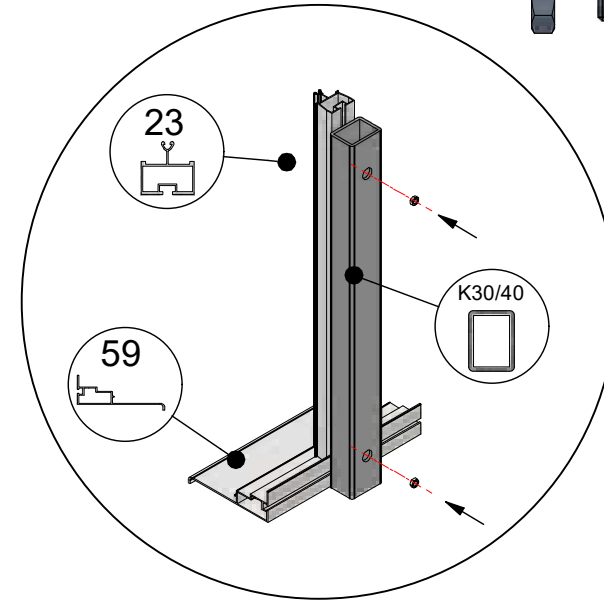
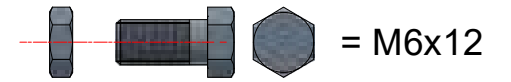
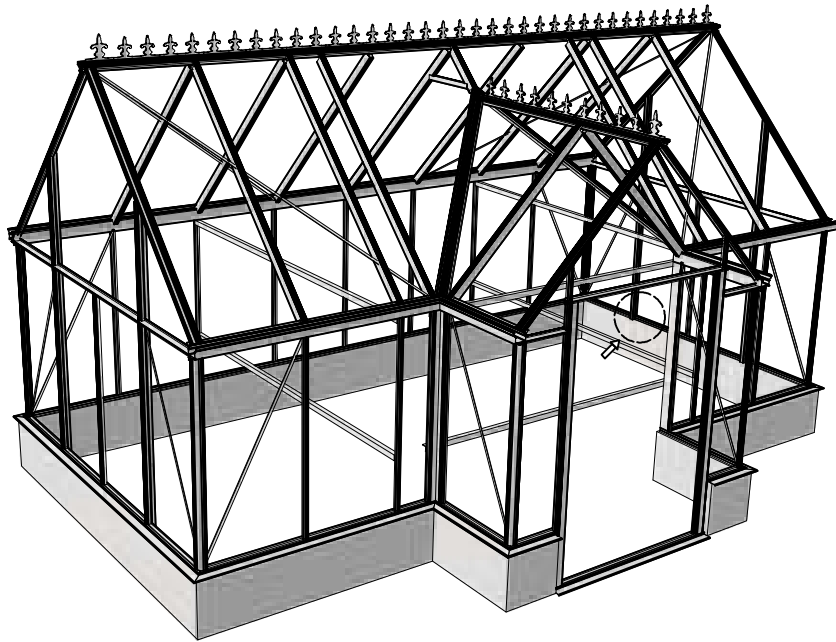


 = M6x12

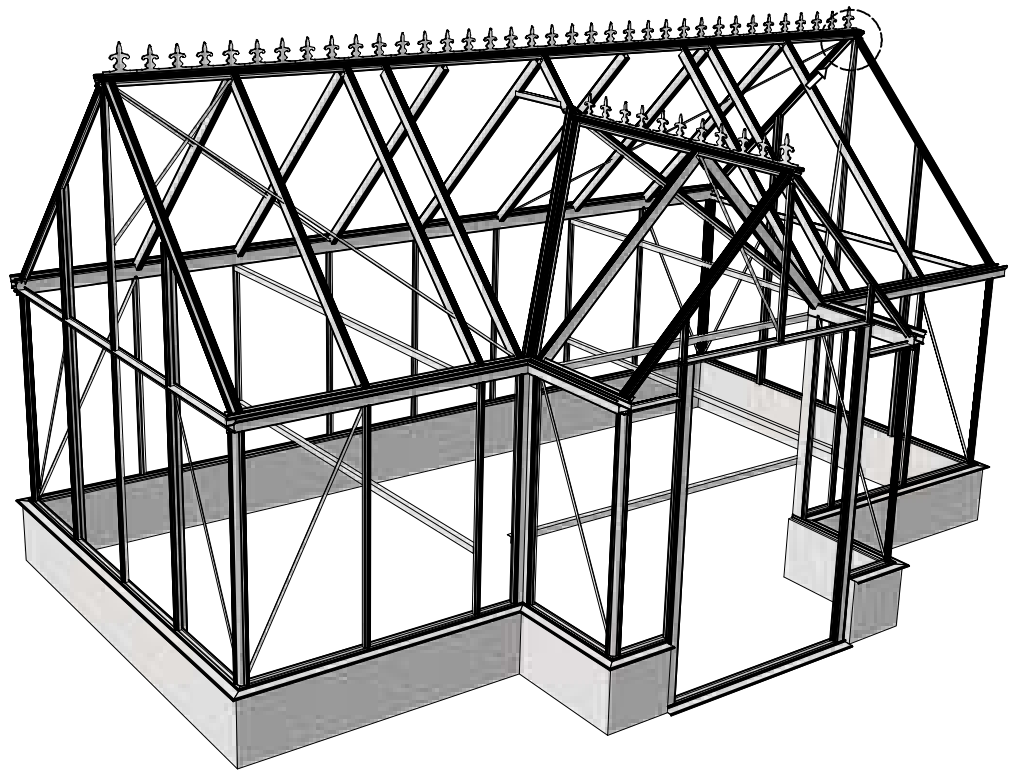
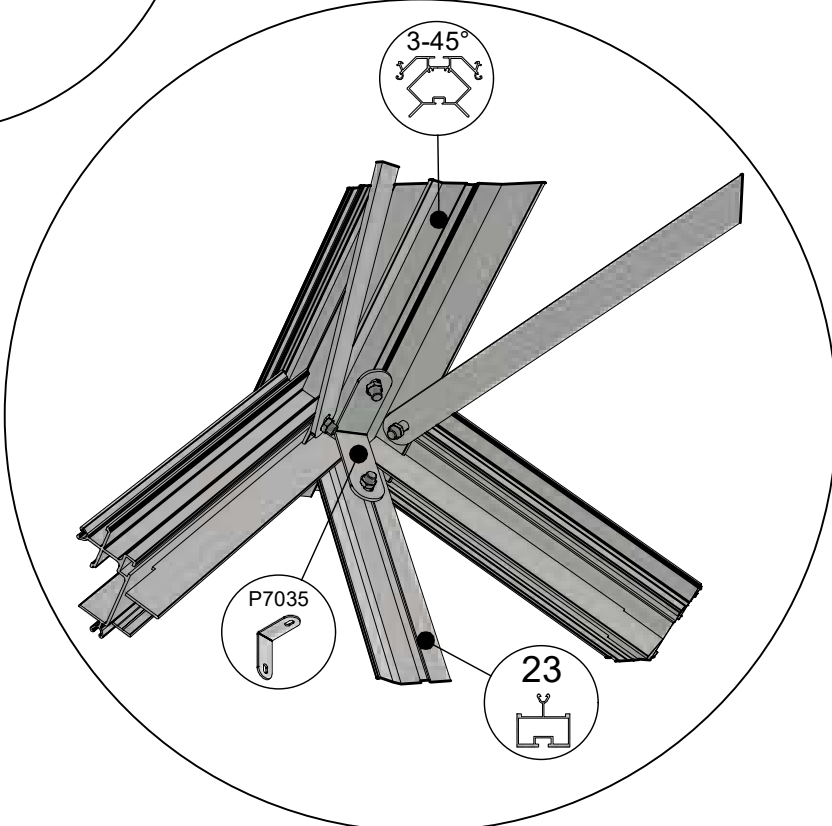
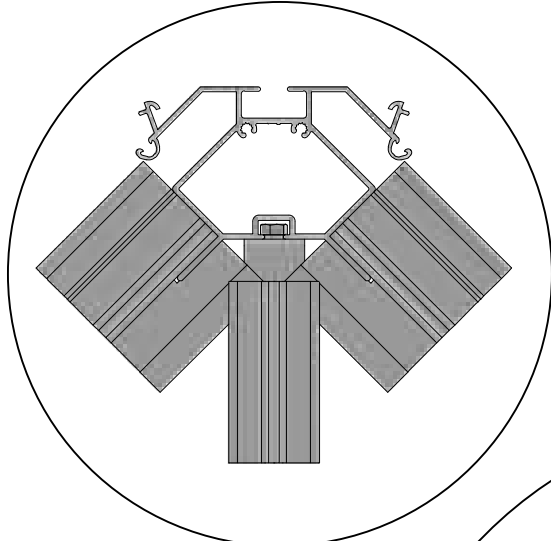
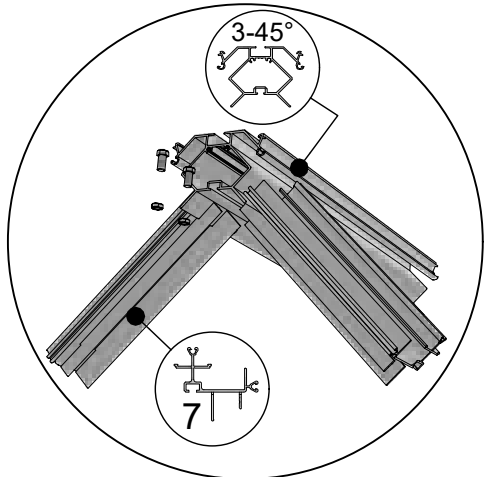


 = M6x12

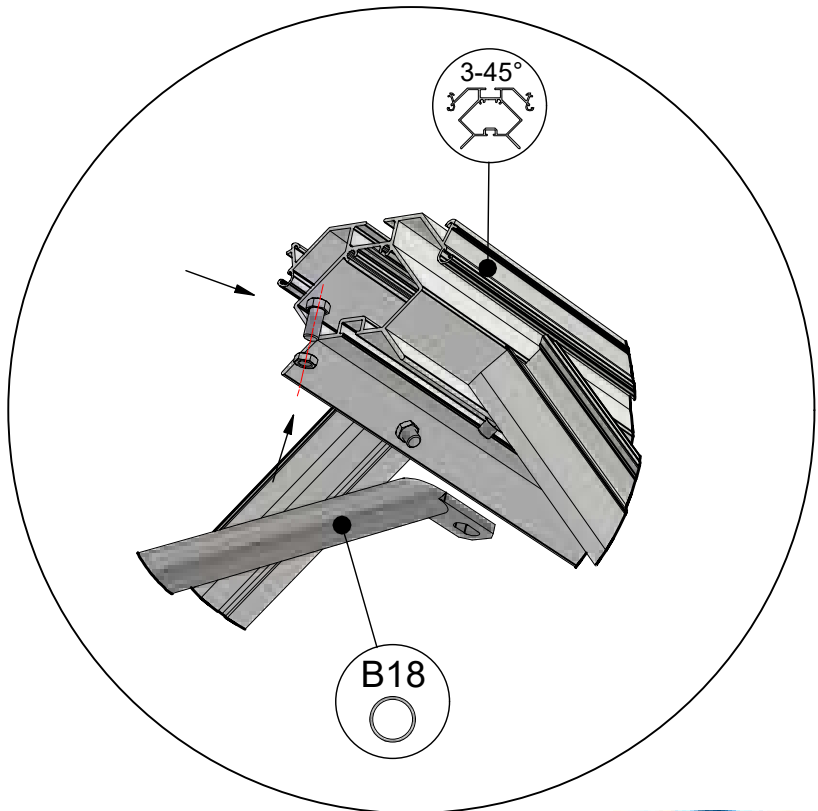
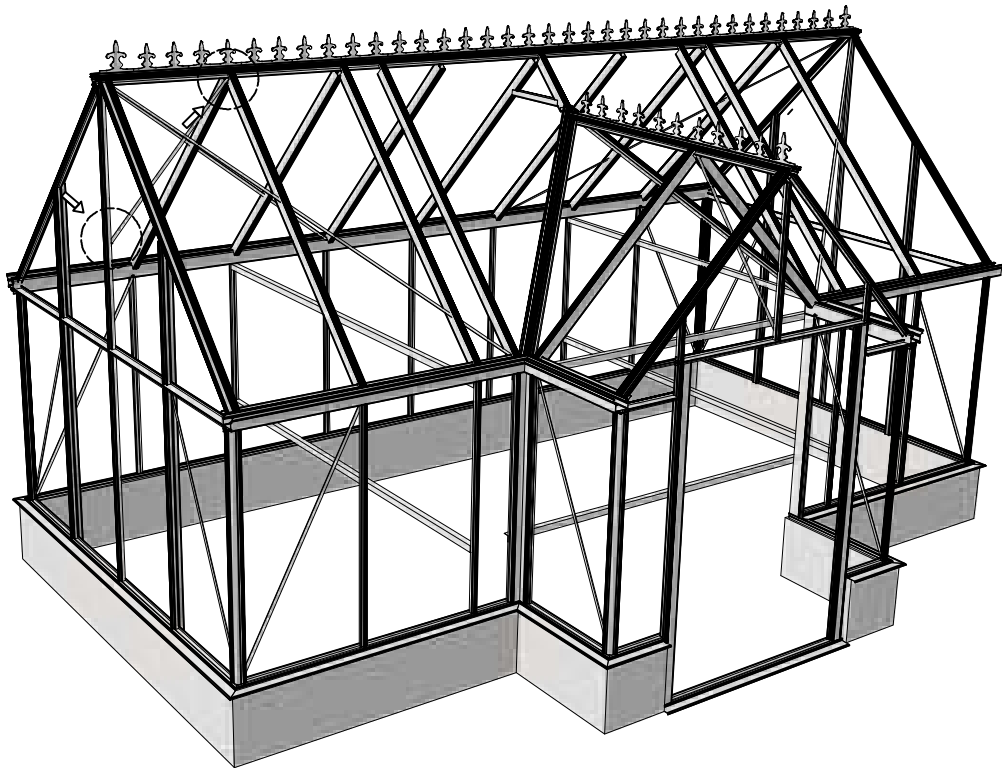
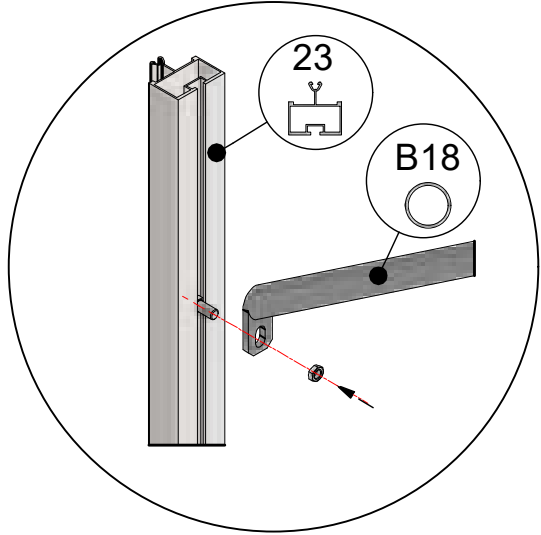


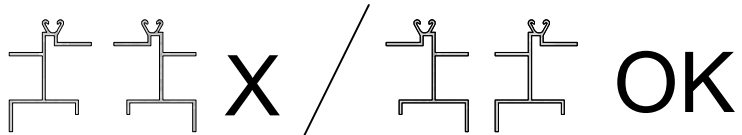
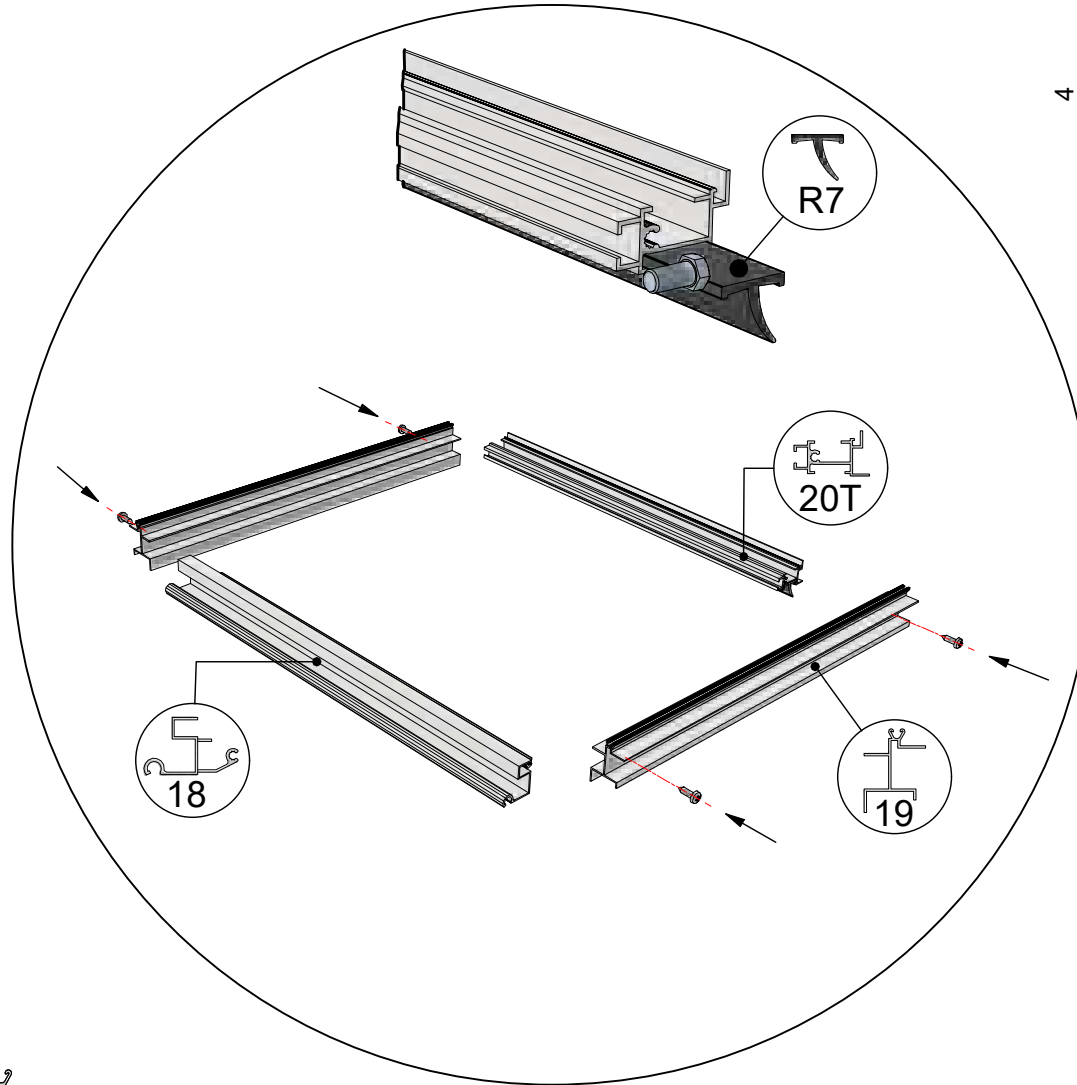
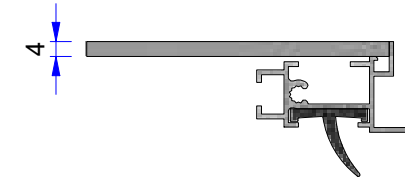
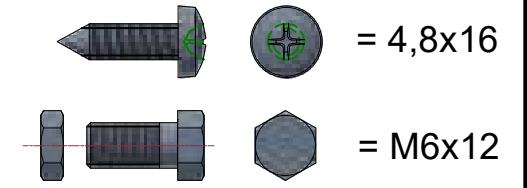
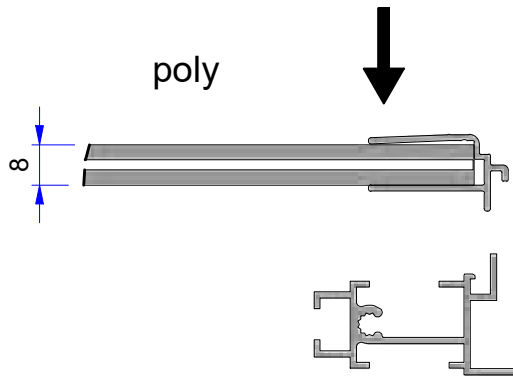


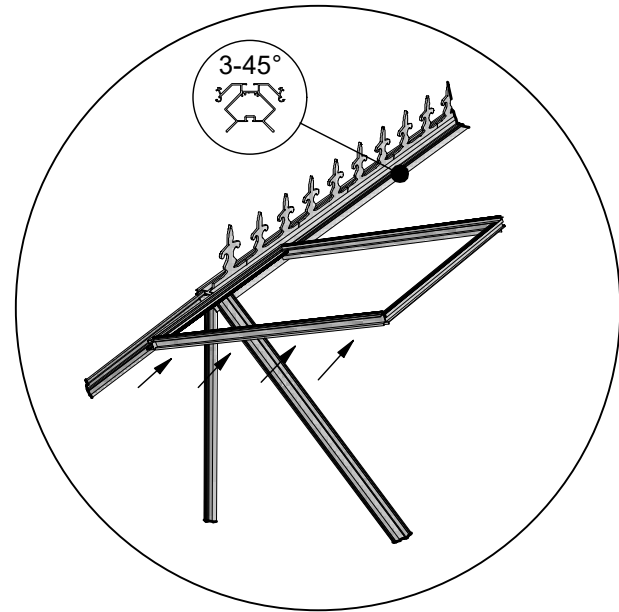
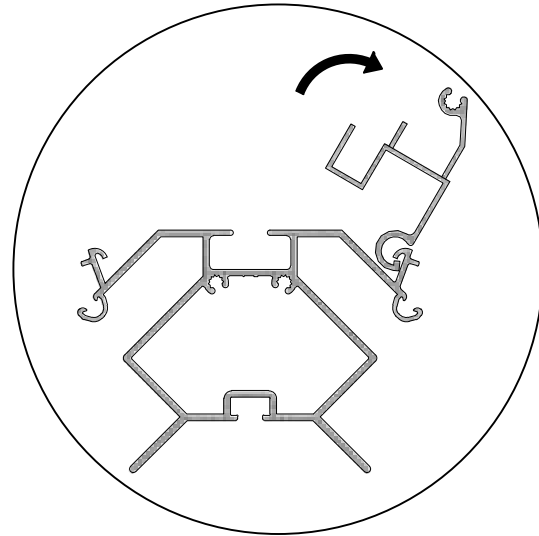
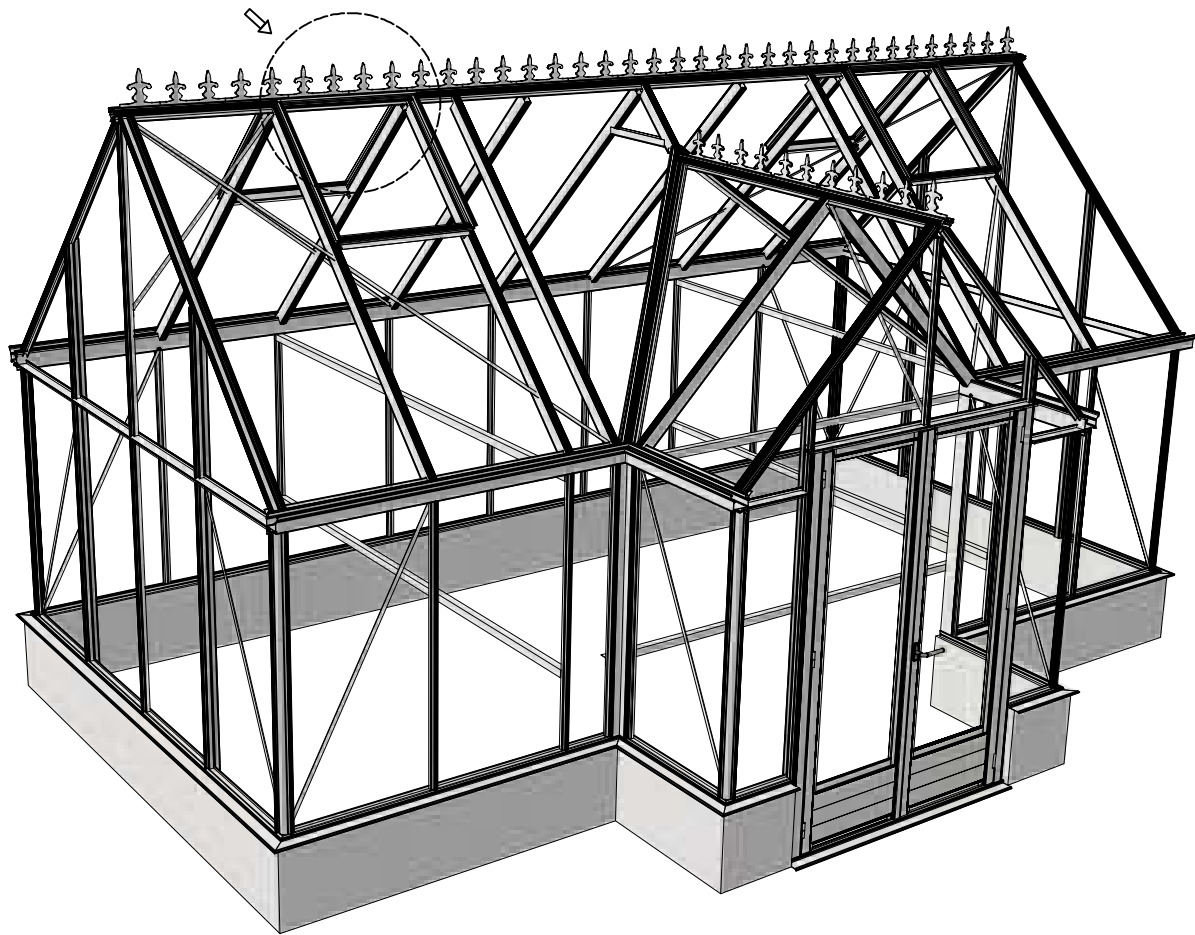
 = M6x12

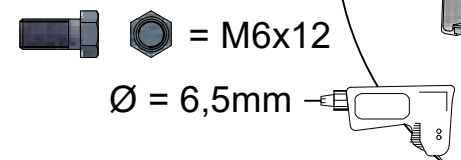
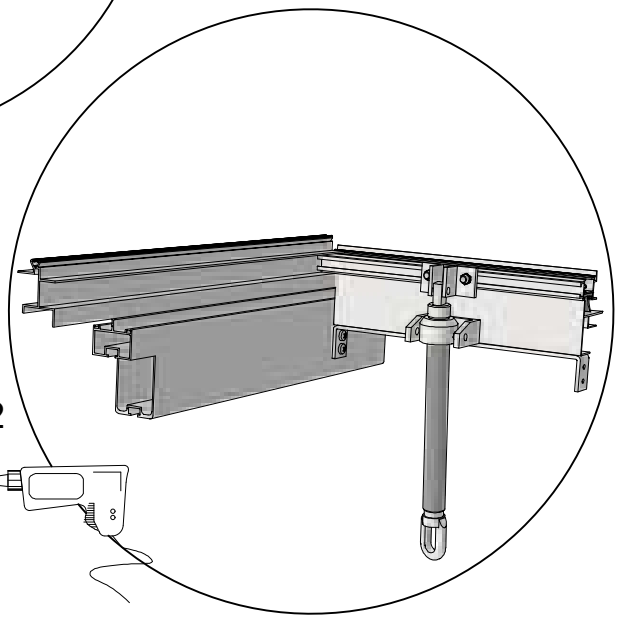
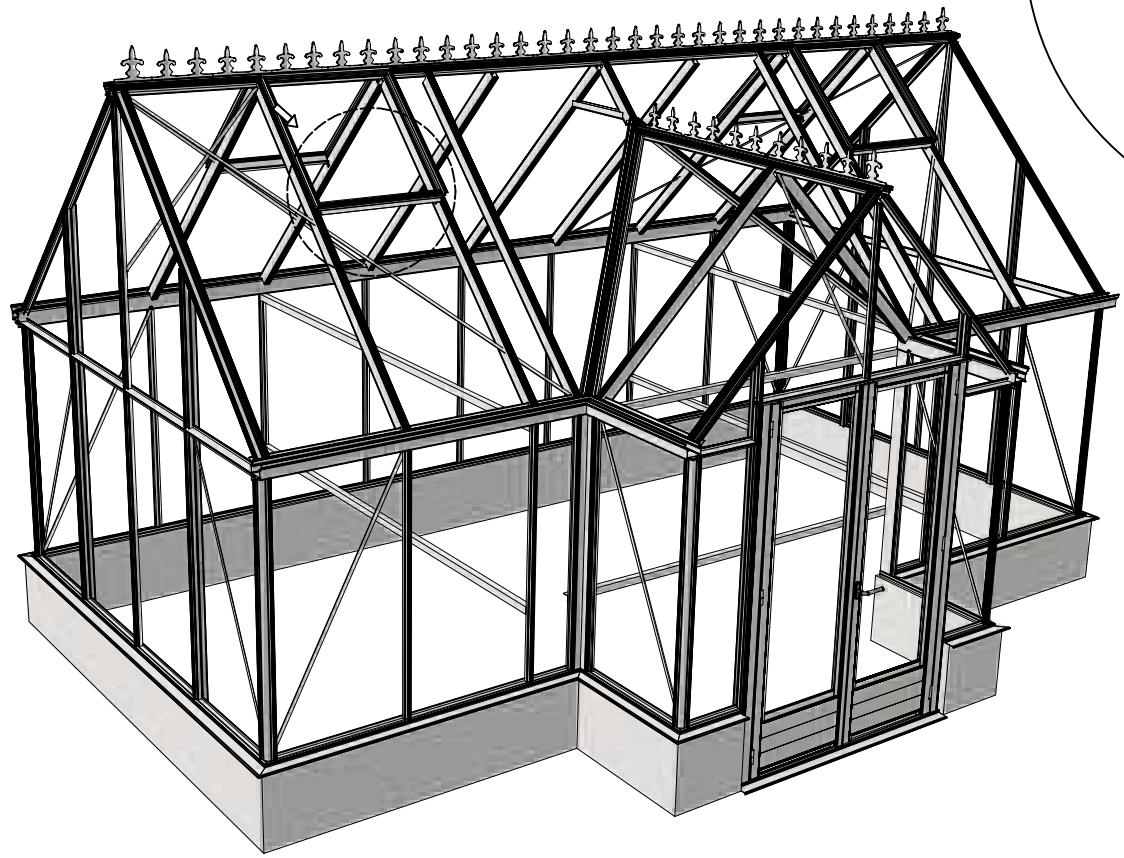
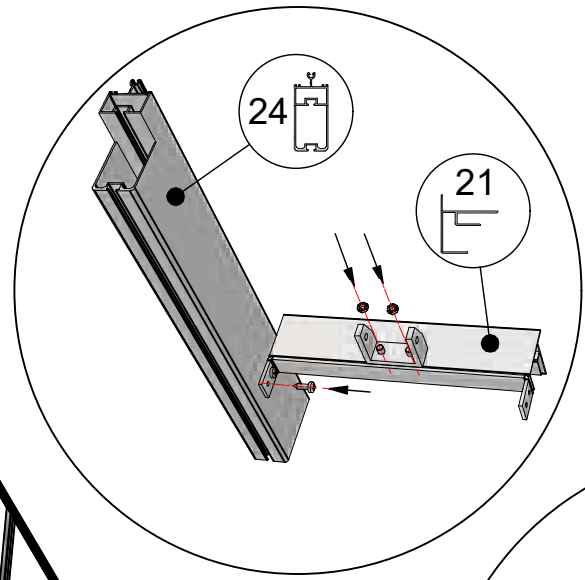
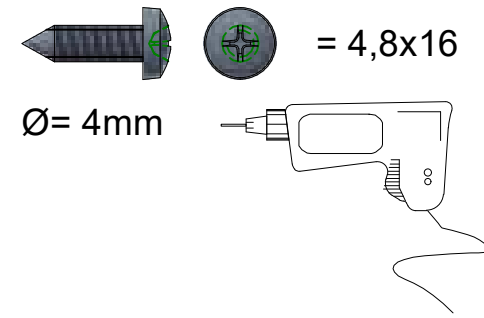
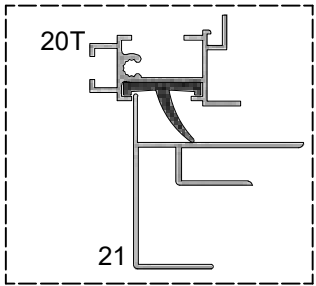


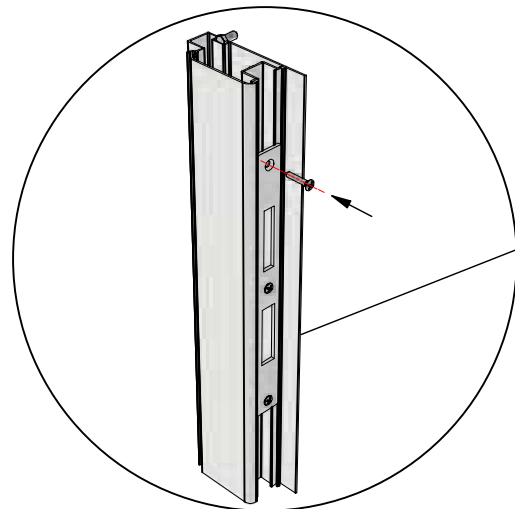
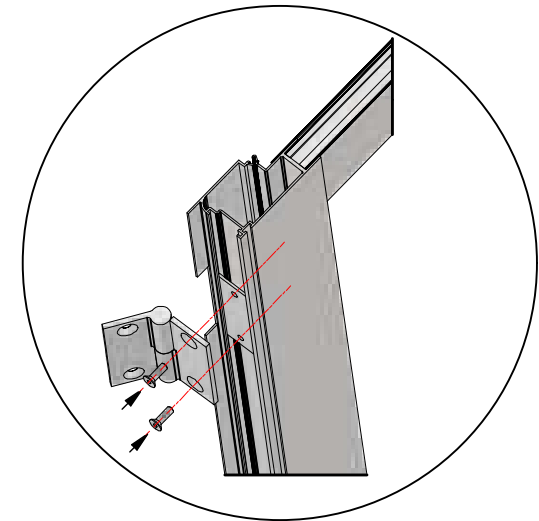
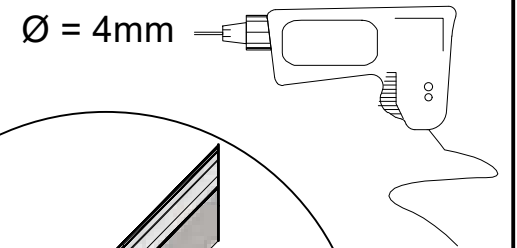
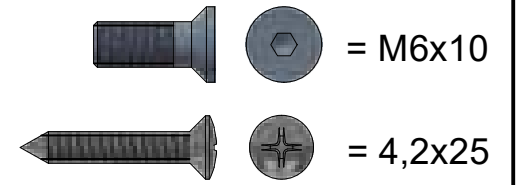
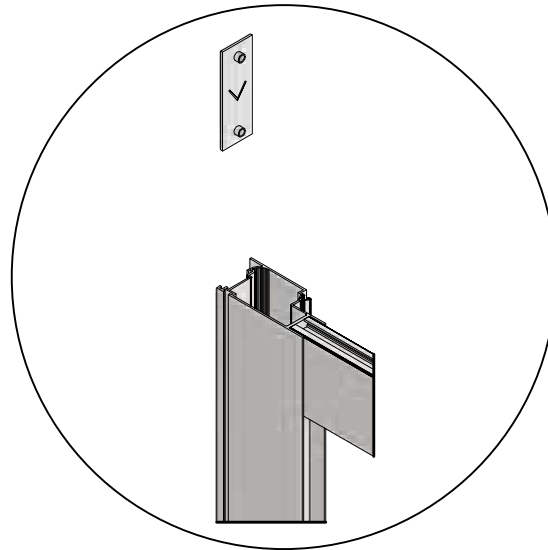
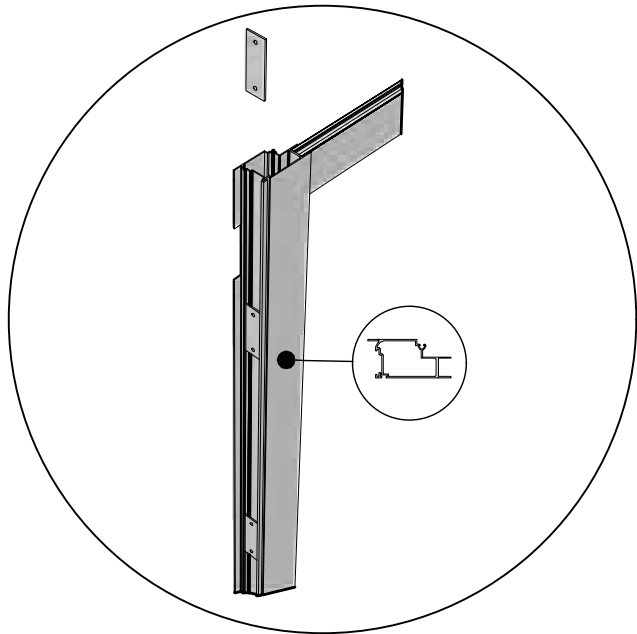
 = M6x12







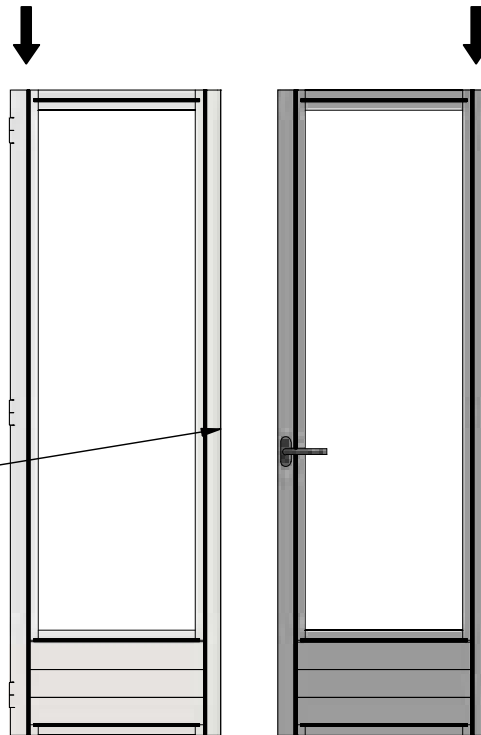




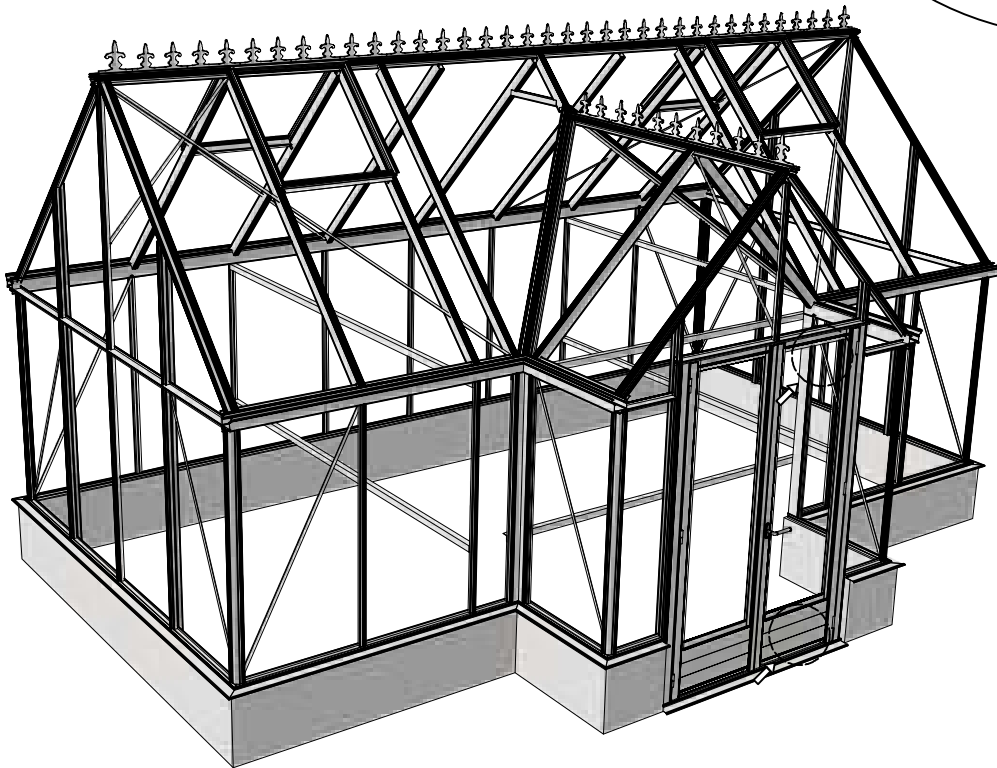
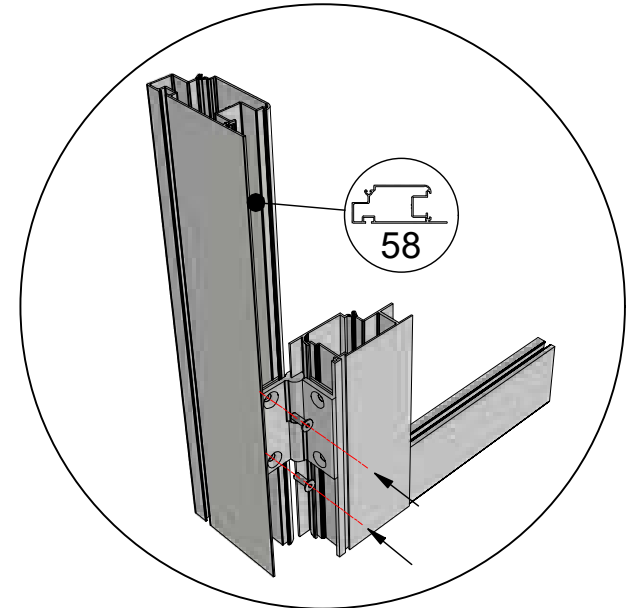
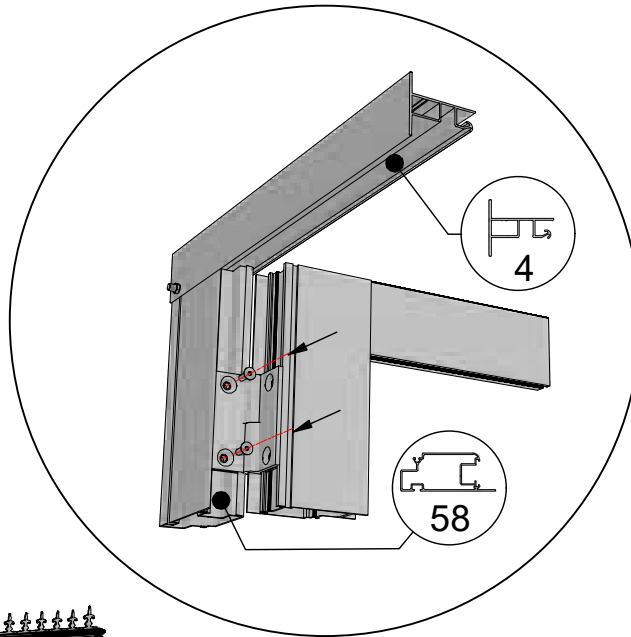
top

11

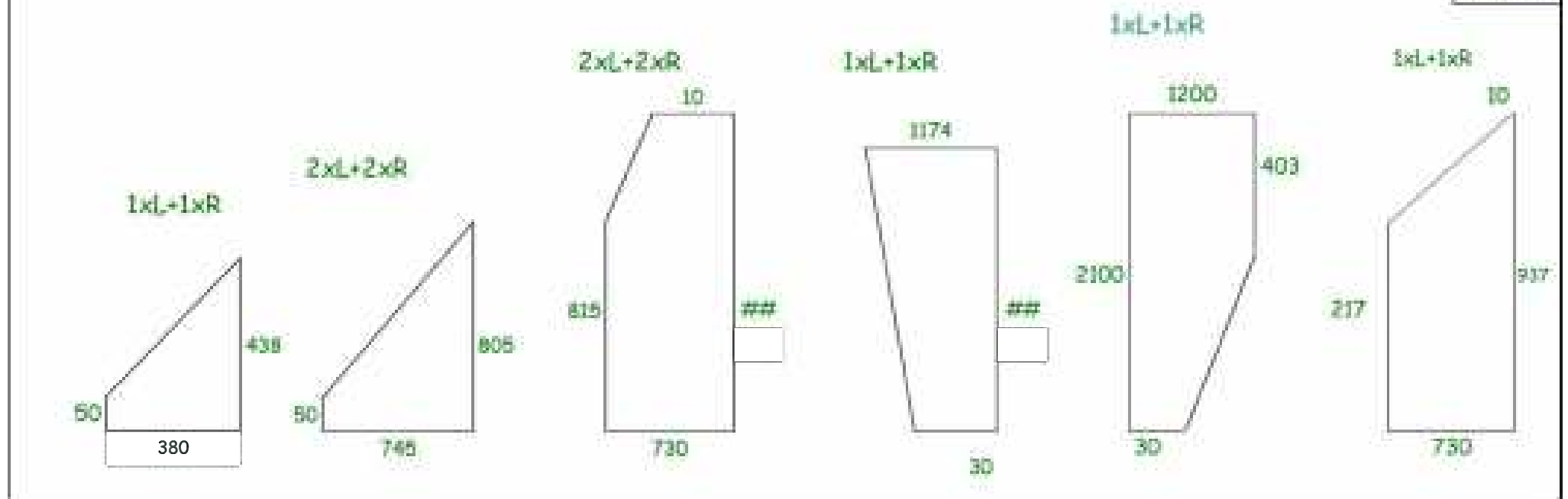
14



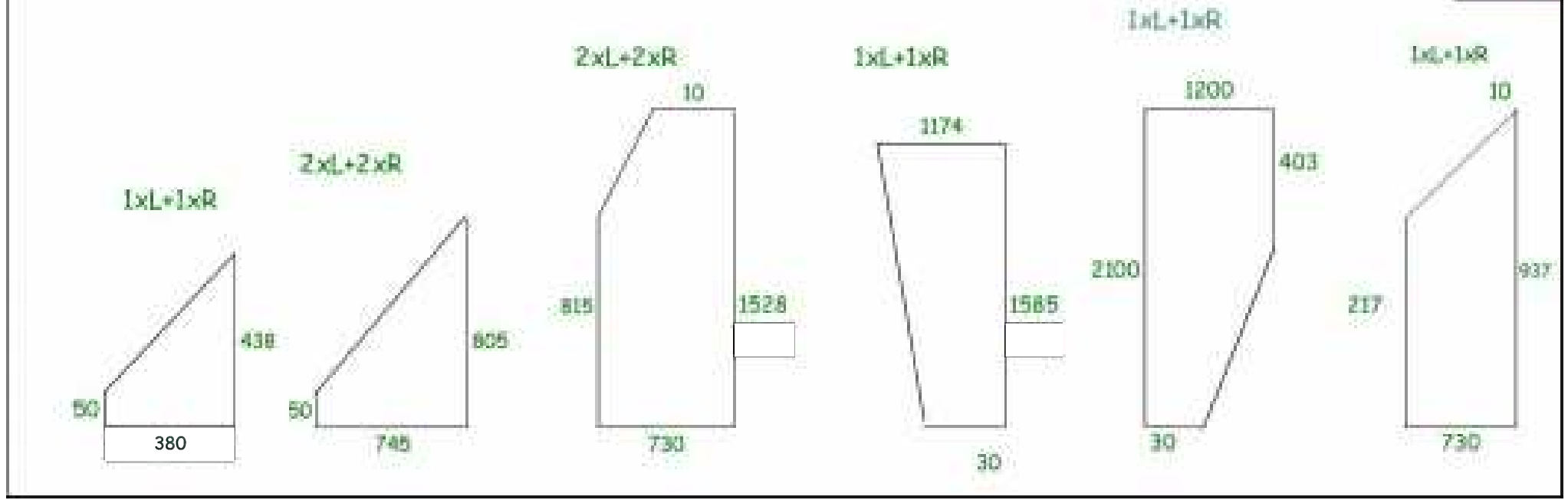
 = M6x10



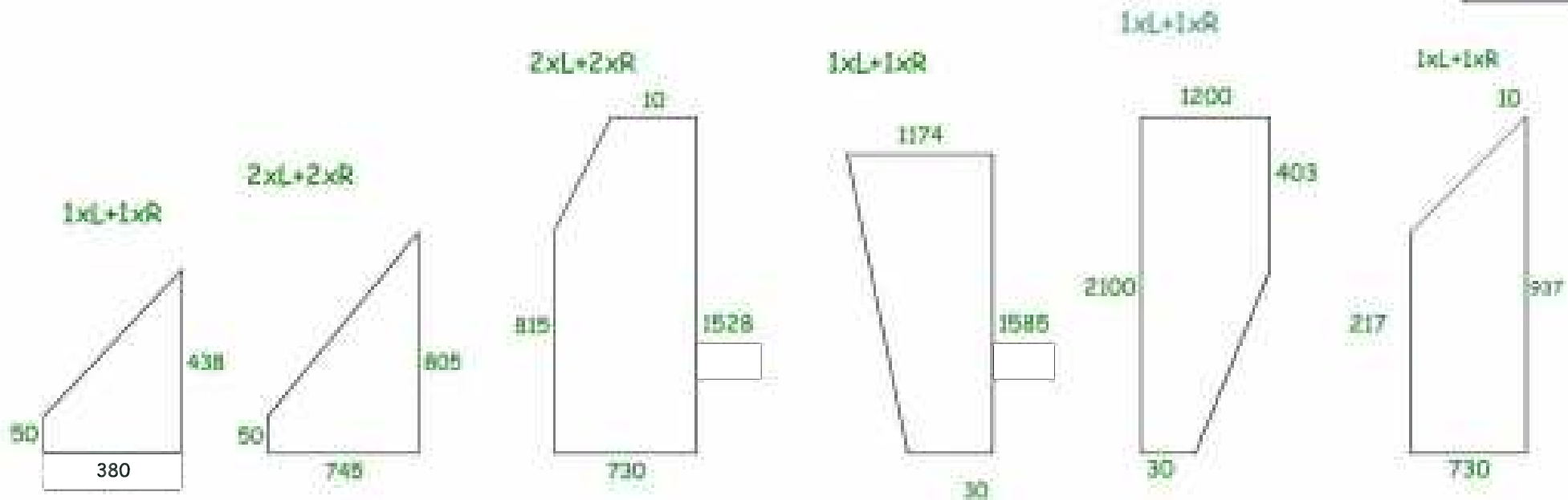
Glass Dimensions Nv Euro-serre			Victorian 2,36m				GlassH: 1650				Wall 430		
Glass Size 730mm			Sides				Roof					m ²	m ²
			1650 x 730	1650 x 255	1650 x 340	1850 x 550	2110 x 730	2110 x 255	1585 x 730	825 x 730	1273 x 730		
Victorian	2,36	x 4,57	18	2	2	2	4	2	2	2	2	25,7	15,7
Victorian	2,36	x 6,04	22	2	2	2	8	2	2	4	4	30,4	21,8
Victorian	2,36	x 7,53	26	2	2	2	10	2	2	6	6	35,4	28,0
Victorian	2,36	x 9,04	30	2	2	2	14	2	2	6	6	40,2	34,1
												17,32 m ²	



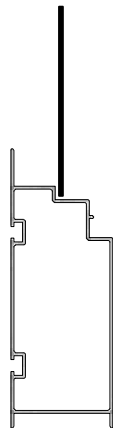
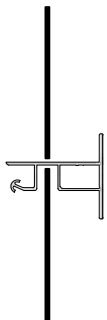
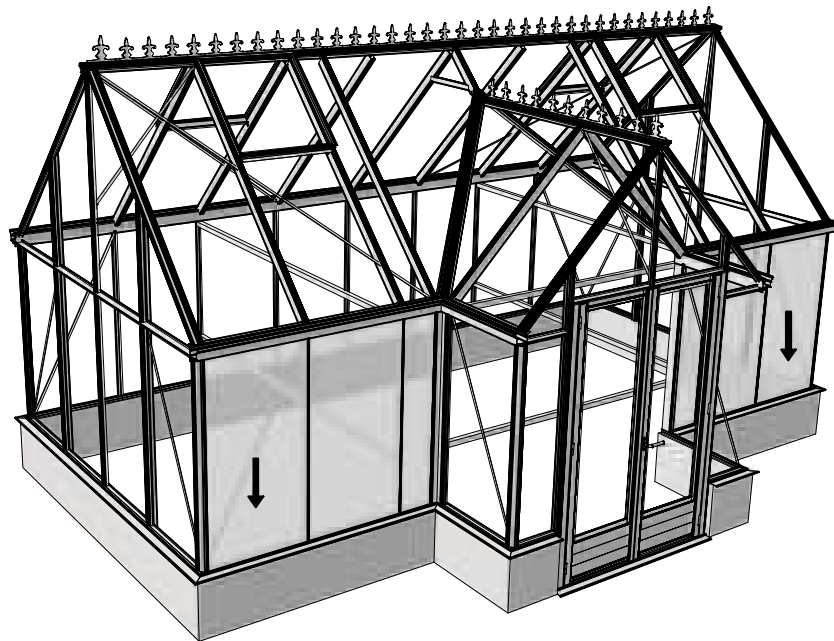
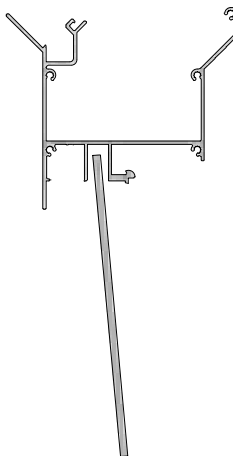
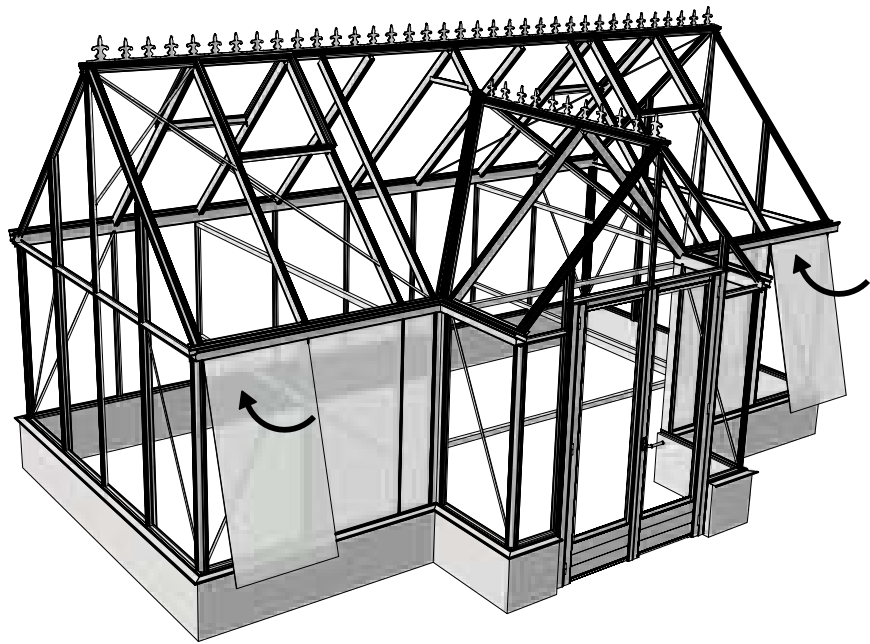
Glass Dimensions Nv Euro-sarre			Victorian 2,35m				GlassH: 1450			Wall 630			
Glass Size 730mm			Sides				Roof					m ²	m ²
			1450 x 730	1450 x 255	1450 x 360	1580 x 550	2110 x 730	2110 x 255	1585 x 730	825 x 730	1273 x 730		
Victorian	2,36	x 4,57	18	2	2	2	6	2	2	2	2	22,6	15,7
Victorian	2,36	x 6,04	22	2	2	2	8	2	2	4	4	26,8	21,8
Victorian	2,36	x 7,53	26	2	2	2	10	2	2	6	6	31,0	28,0
Victorian	2,36	x 9,04	30	2	2	2	14	2	2	6	6	35,3	34,1
											17,32 m ²		



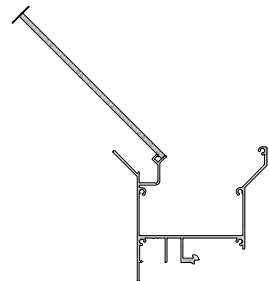
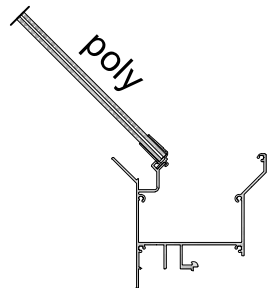
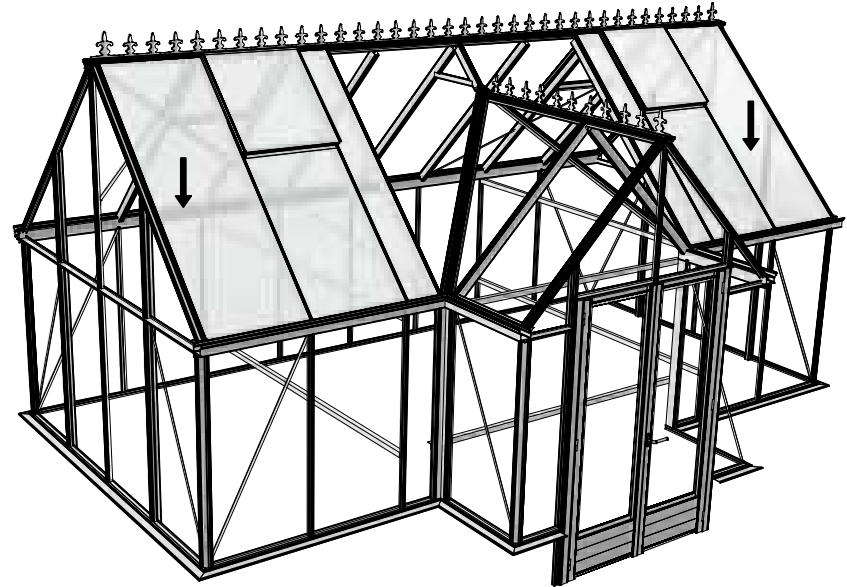
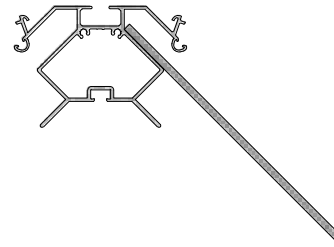
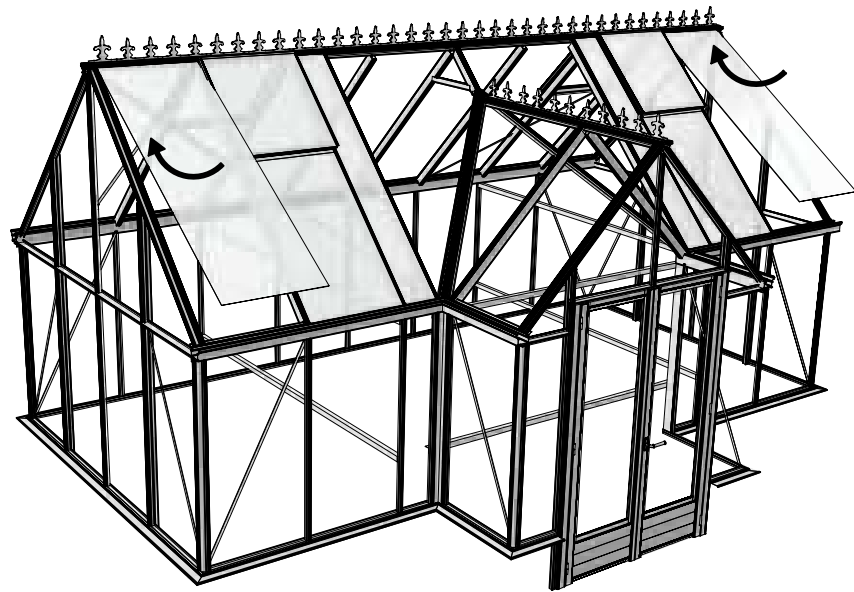
Glass Dimensions Nv Euro-serre				Victorian 2,36m		GlassH 1250		Wal 830				
Glass-Size 730mm		Sides				Roof						
		1250 x 730	1250 x 255	1250 x 360	1410 x 550	2110 x 730	2110 x 255	1585 x 730	825 x 730	1273 x 730	m ²	m ²
Victorian	2,36 x 4,57	18	2	2	2	6	2	2	2	2	19,5	25,7
Victorian	2,36 x 6,04	22	2	2	2	8	2	2	4	4	23,2	29,8
Victorian	2,36 x 7,53	26	2	2	2	10	2	2	6	6	26,8	34,0
Victorian	2,36 x 9,04	30	2	2	2	14	2	2	6	6	30,5	39,1
											17,32 m ²	

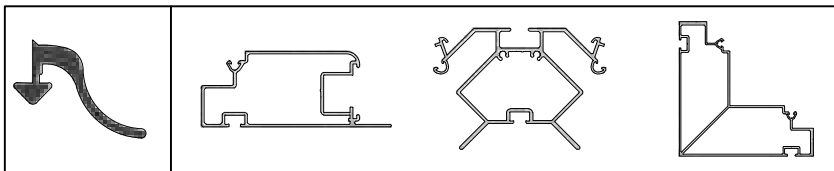
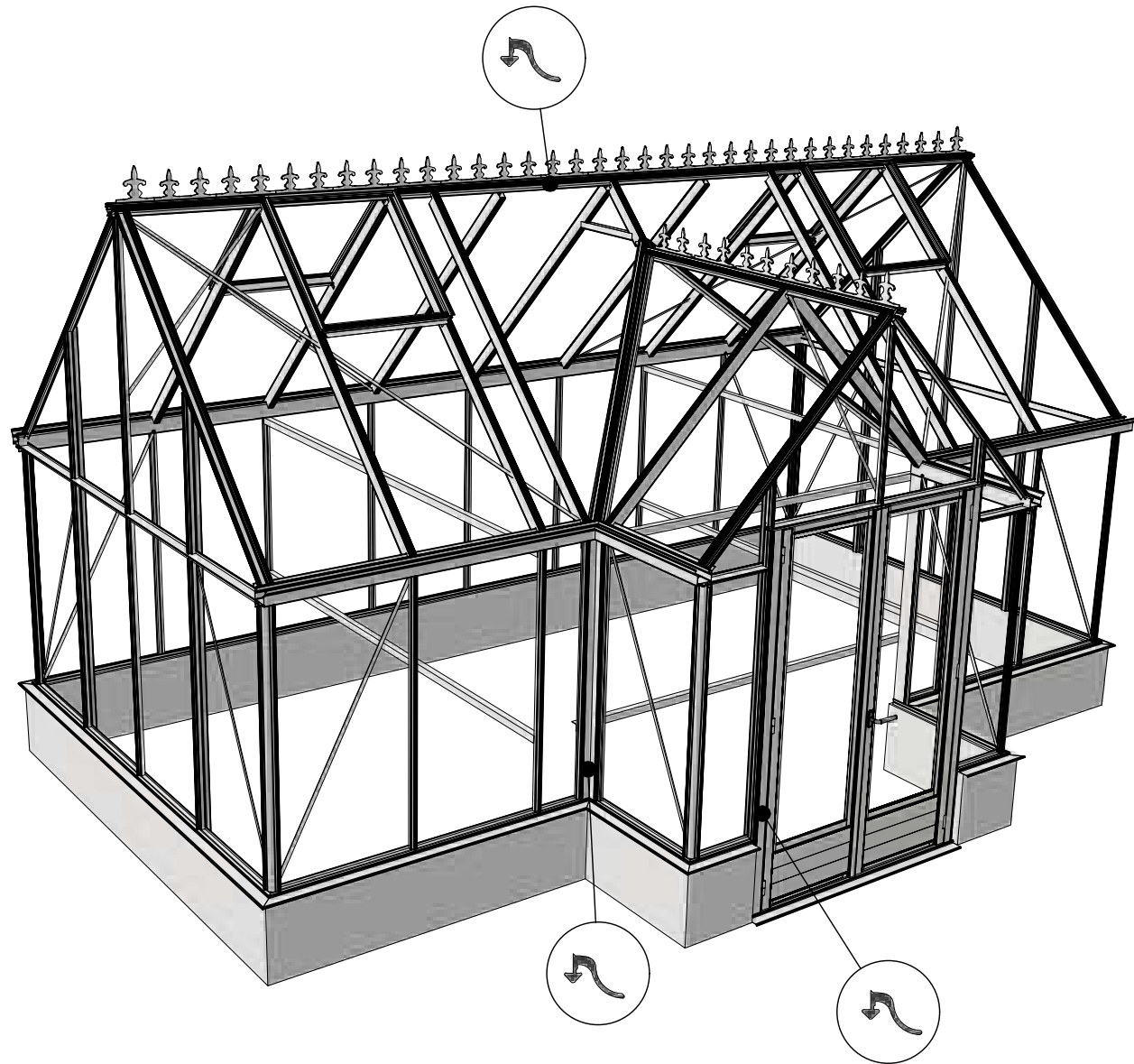


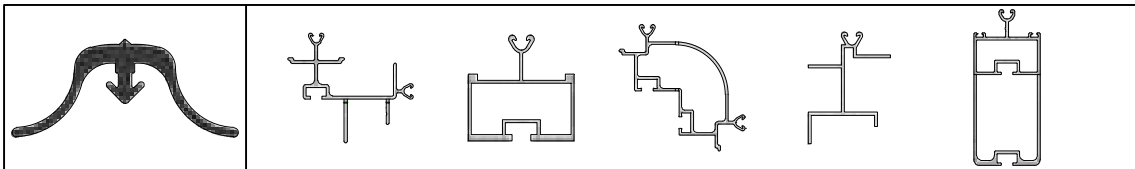
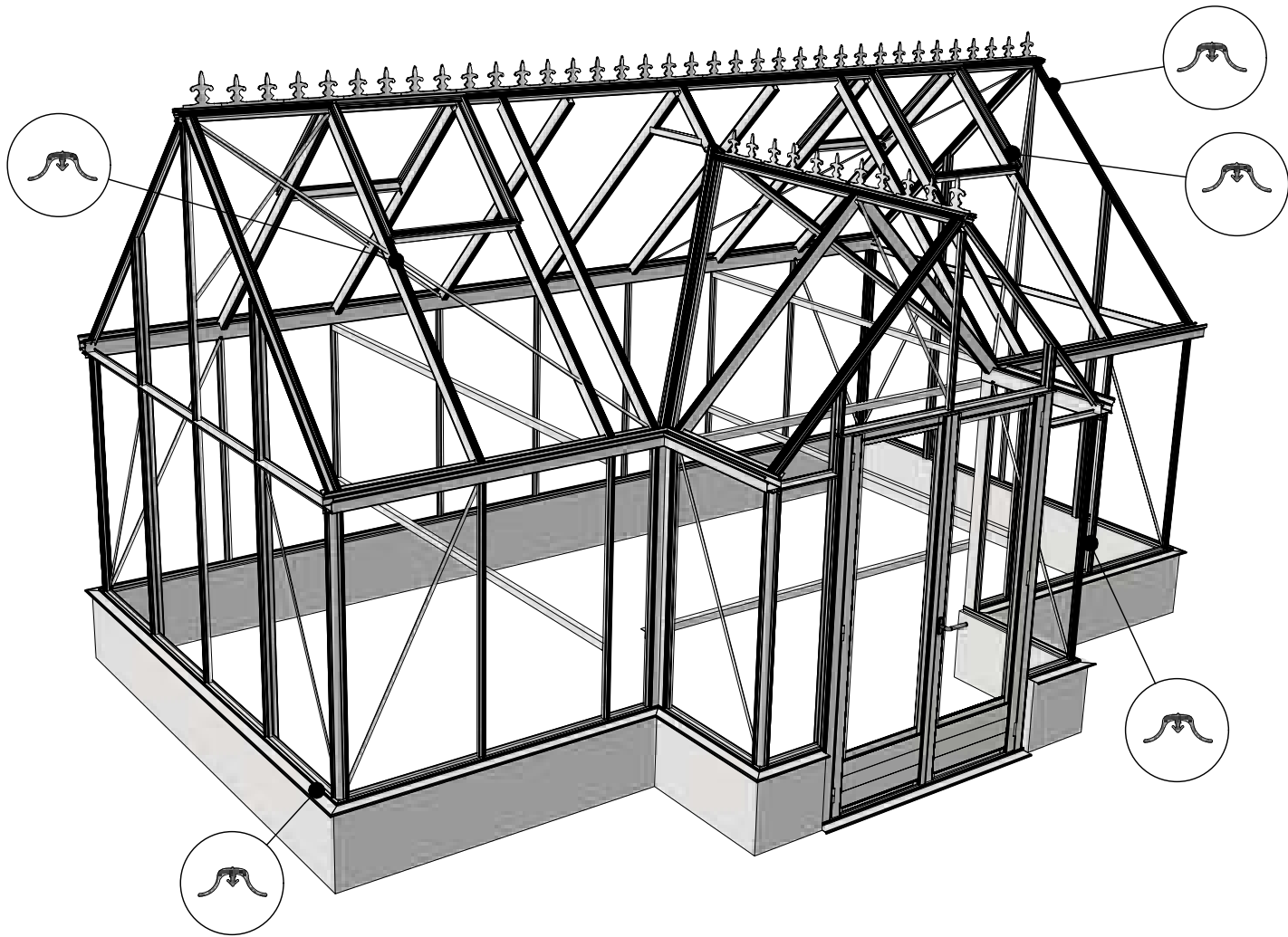
Opgemaakt op 28-10-2022

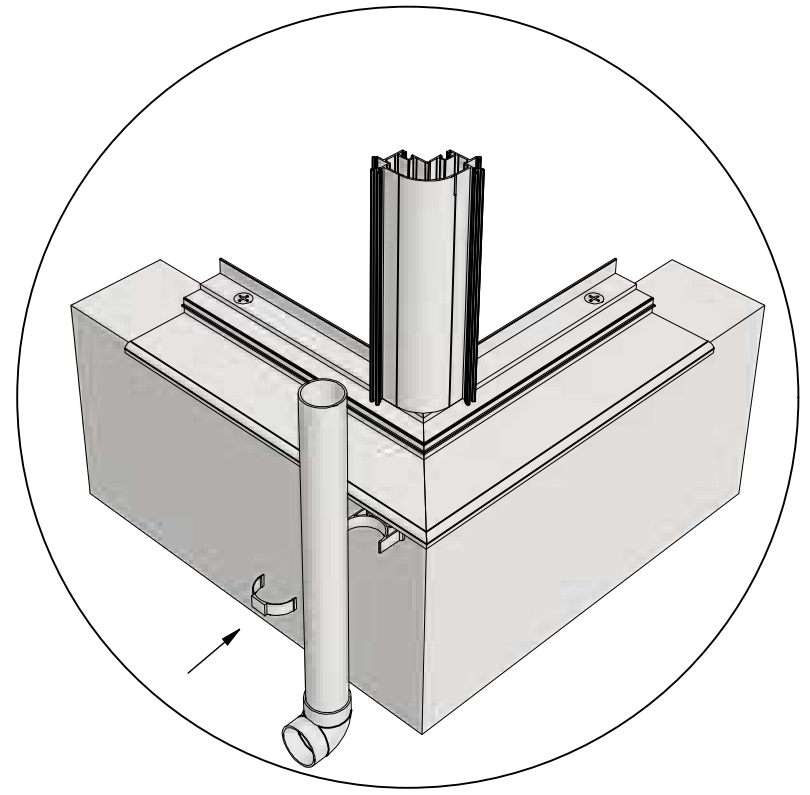
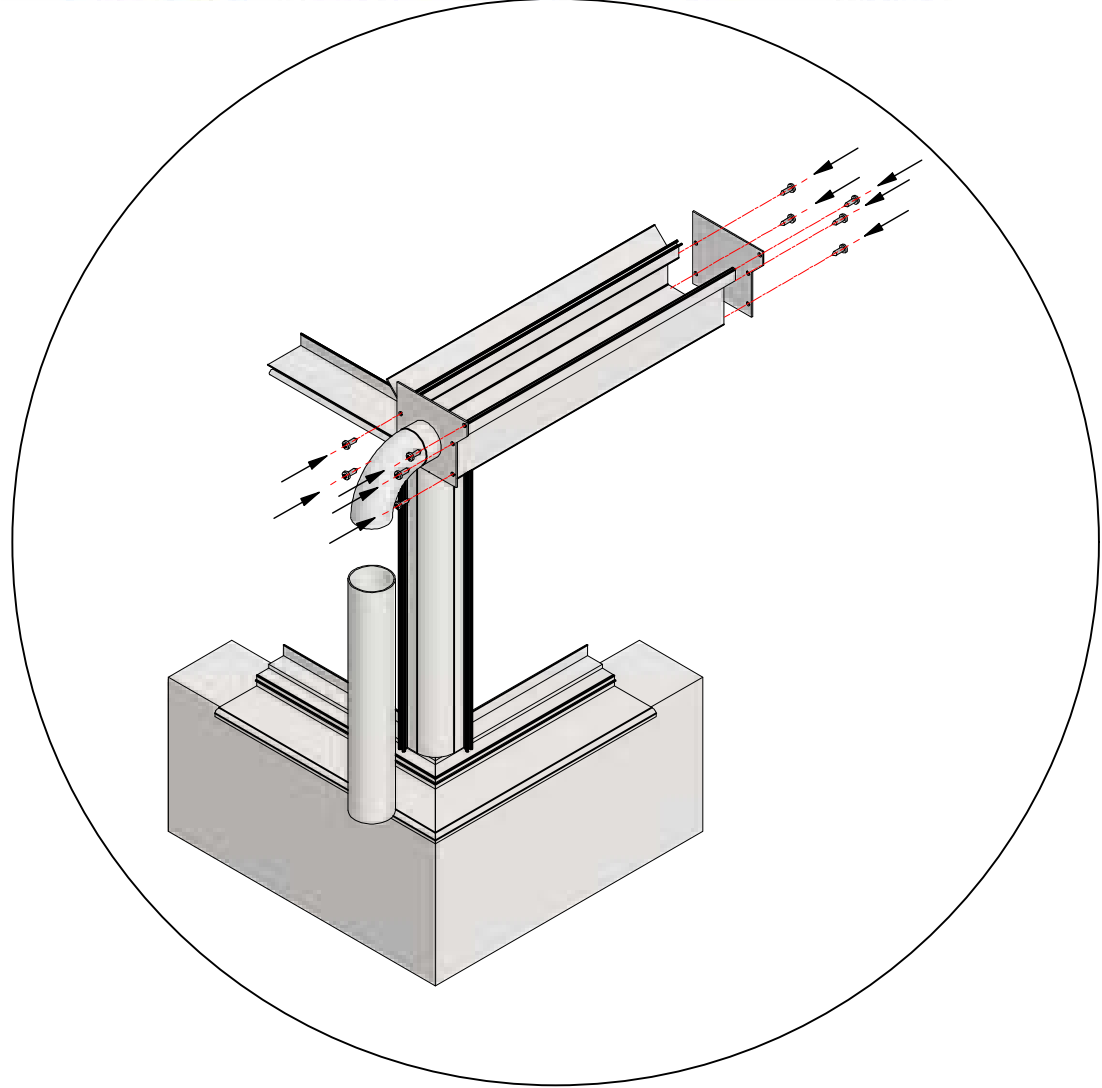
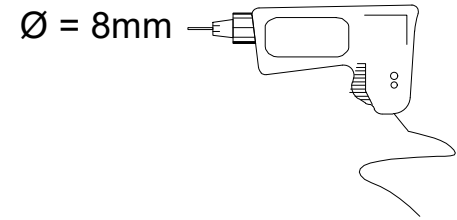
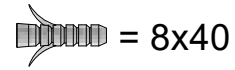
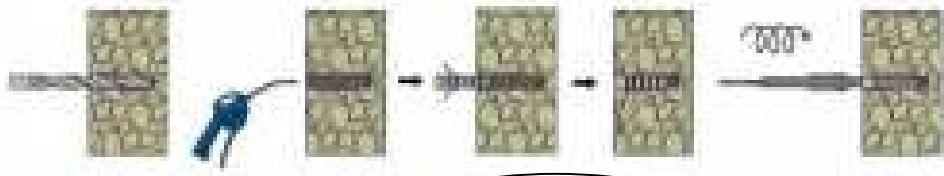




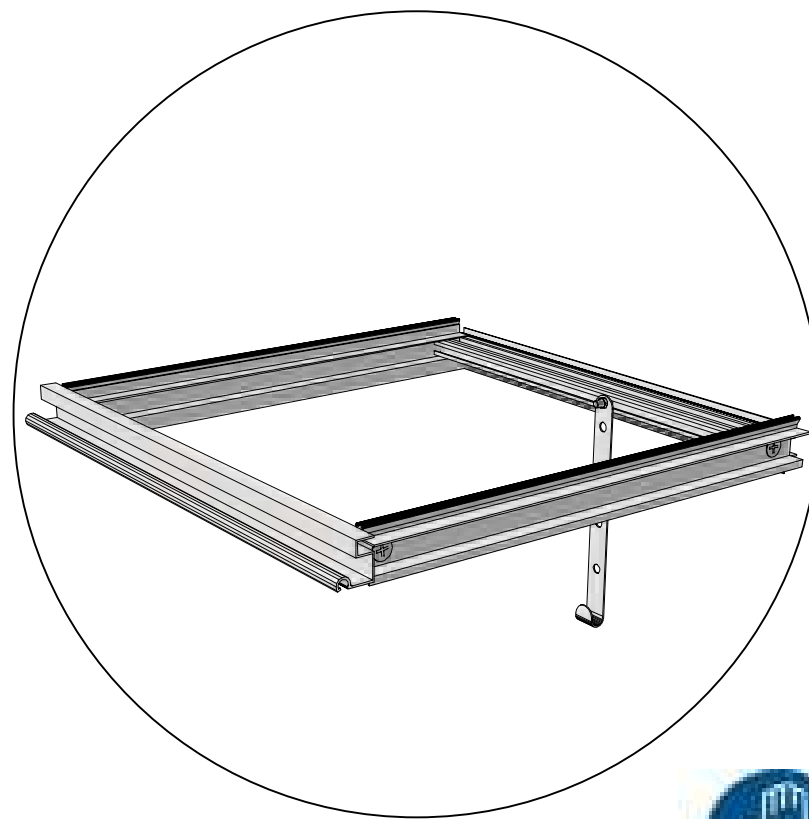
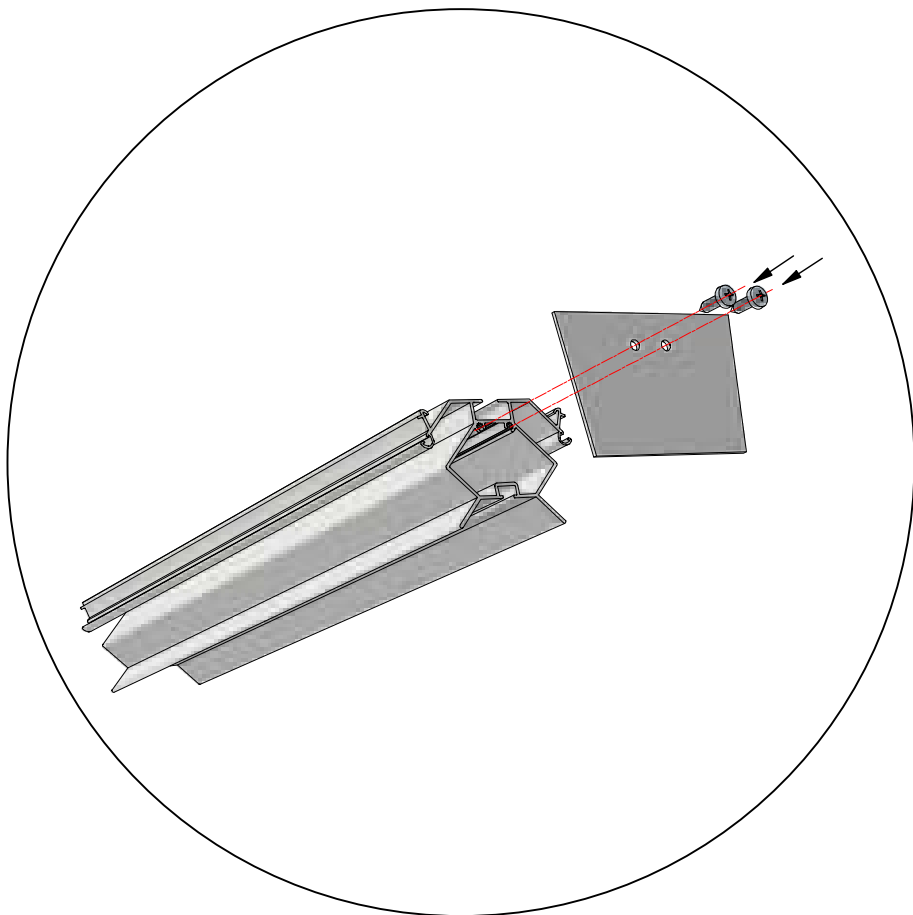








  = 4,8x16





Geleenlaan 1 - 3600 Genk

ref: Victorian on wall-001 Rev. 05.10.2023

OCBS - 1148-CPR-20231003-989 (€

EN 1090-1 EXC 1

Victorian on wall

www.euroserre.com/cecificaten